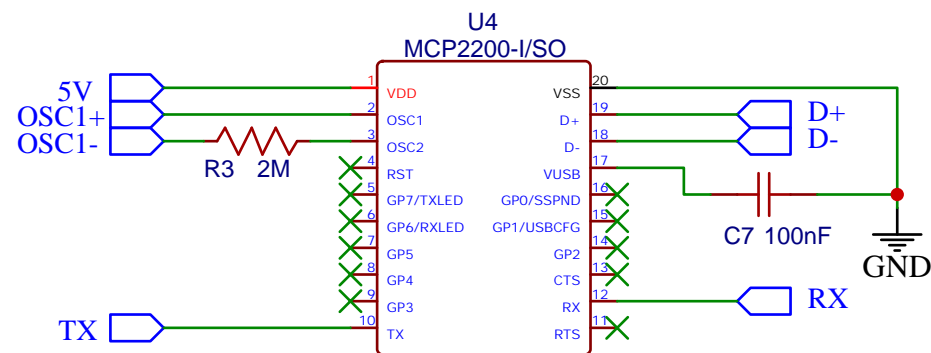
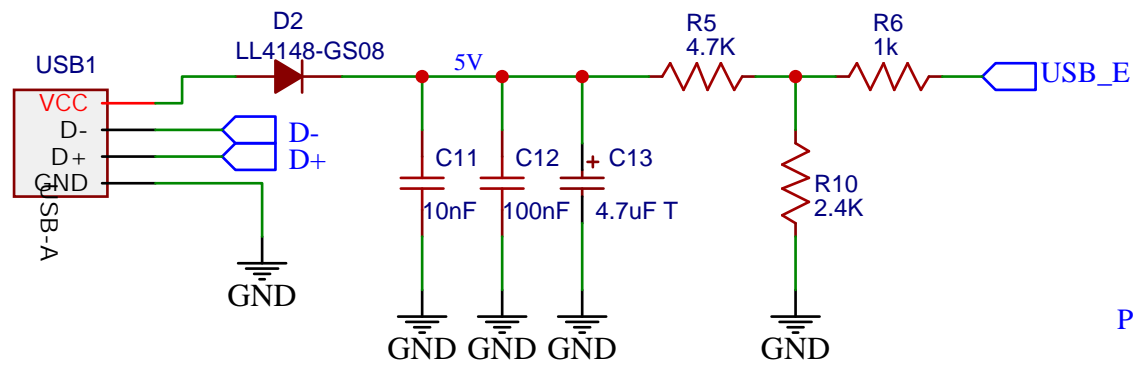


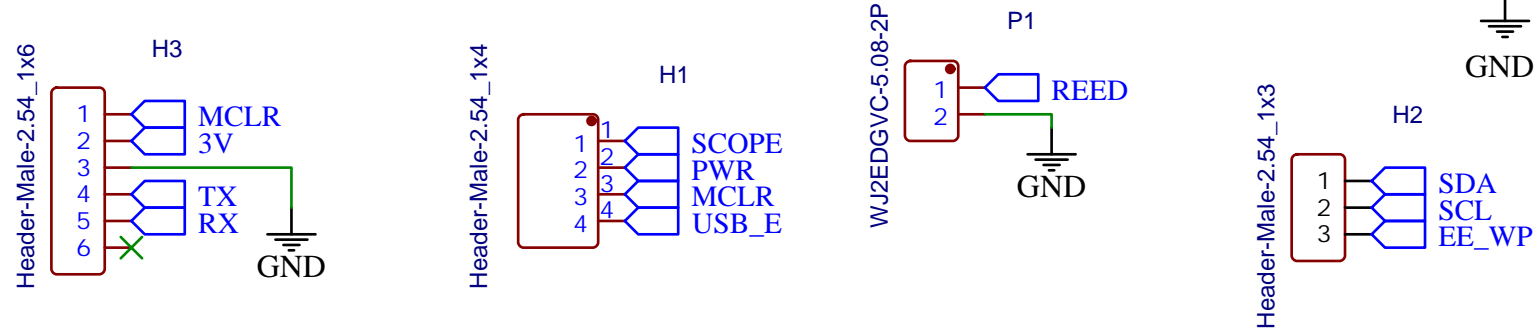
USB COMS



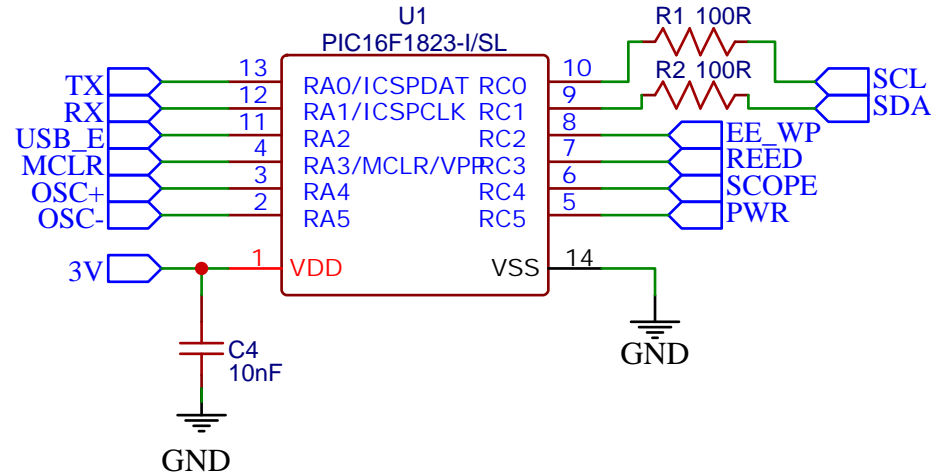
USB CONNECTOR



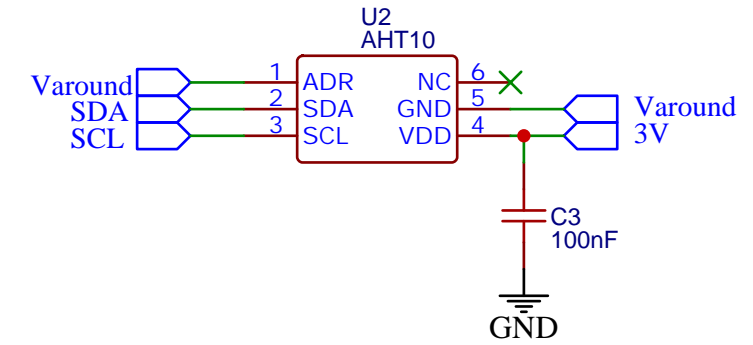
PROGRAMMER HEADER



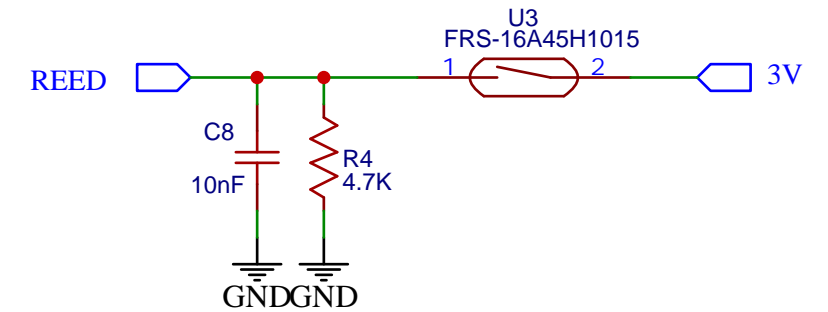
PIC



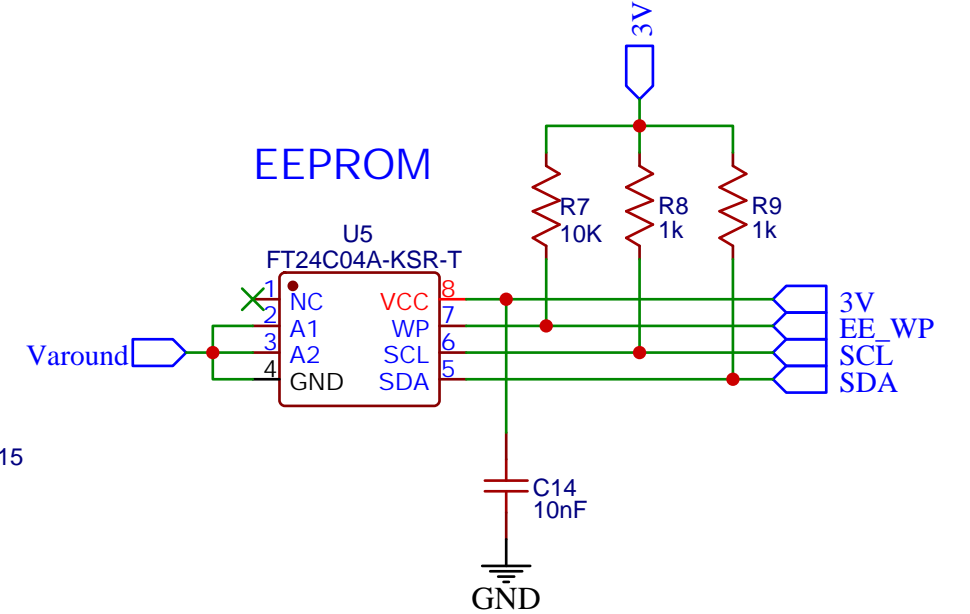
TEMP / HUMIDITY SENSOR



REED SWITCH



EEPROM



TITLE: RAIN GAUGE		REV: 1.0
EasyEDA	Company: AGRIGEL	Sheet: 1/1
	Date: 2019-11-25	Drawn By: dannylg100