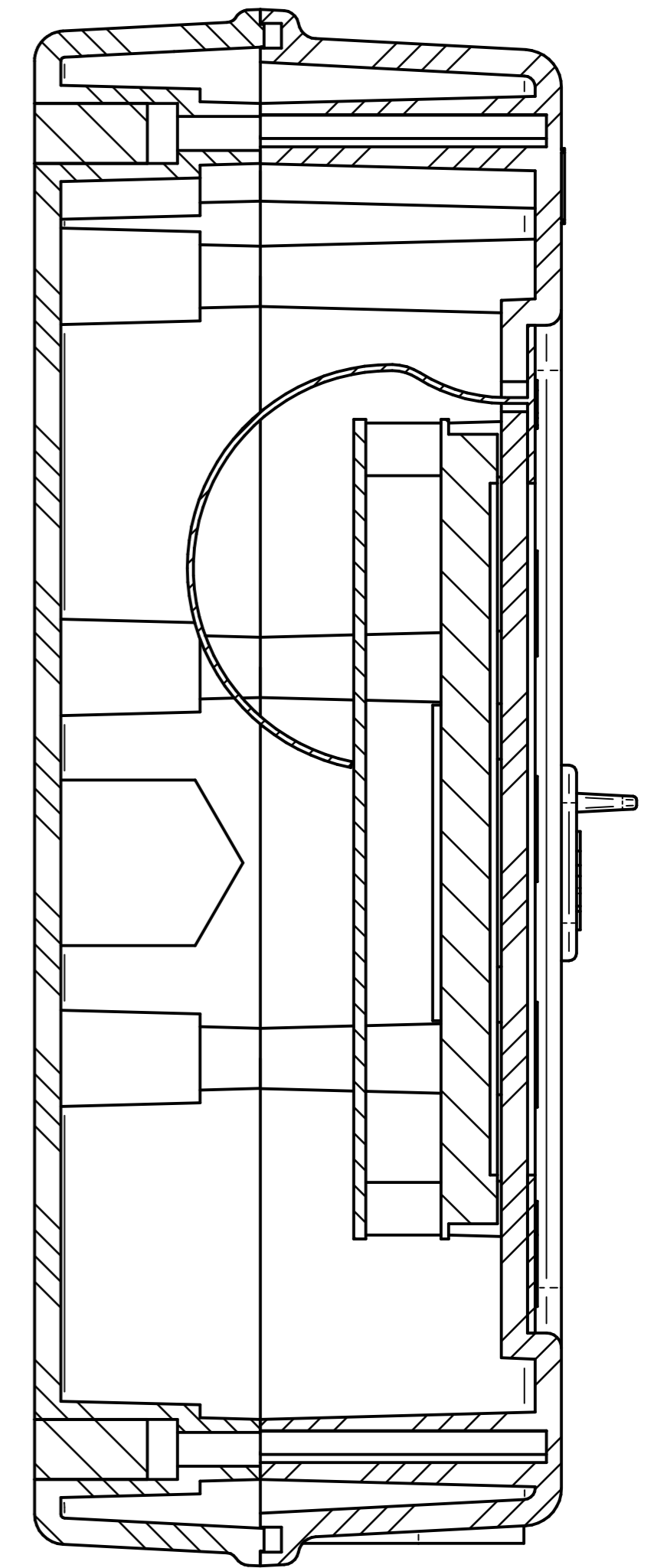
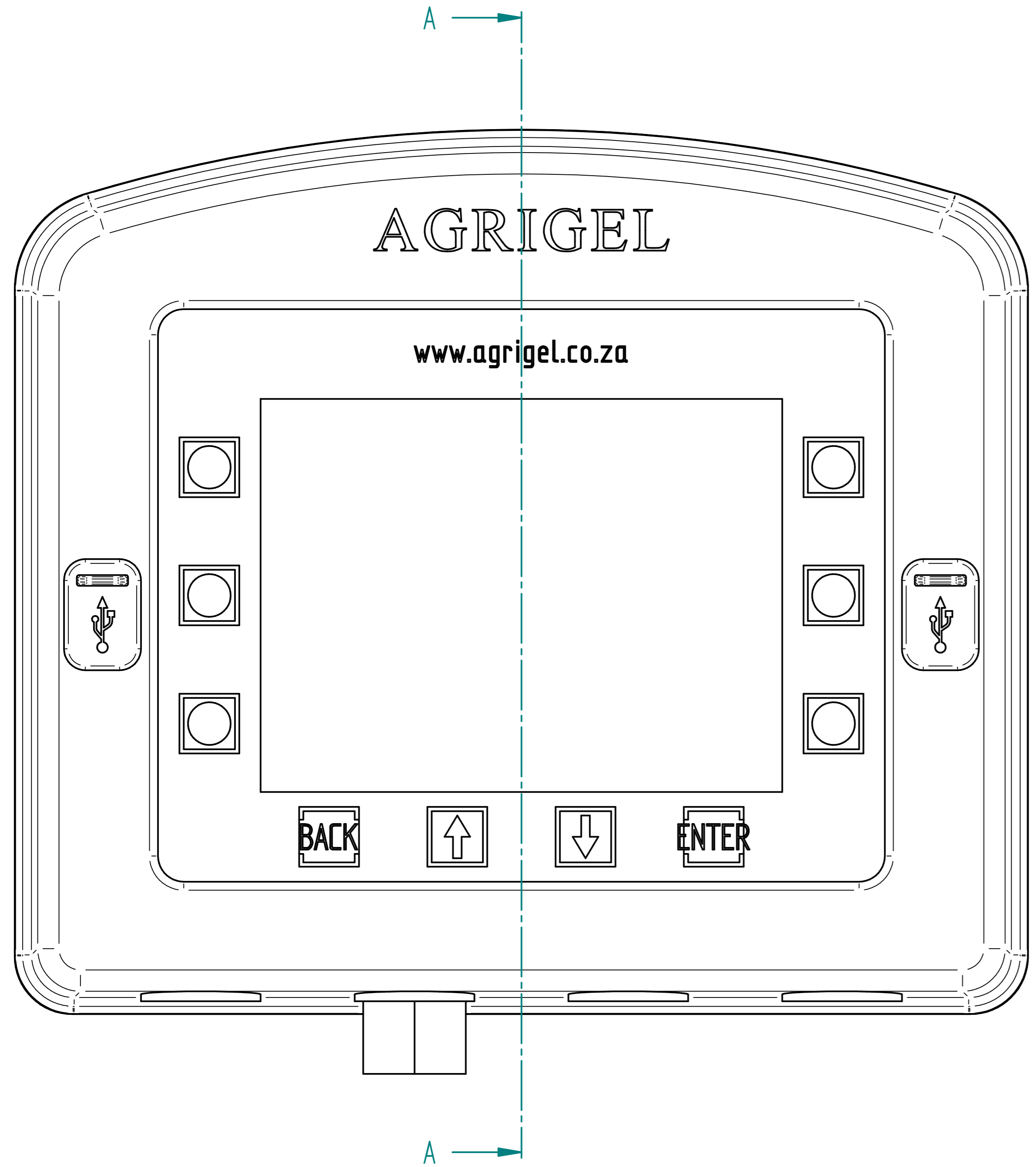


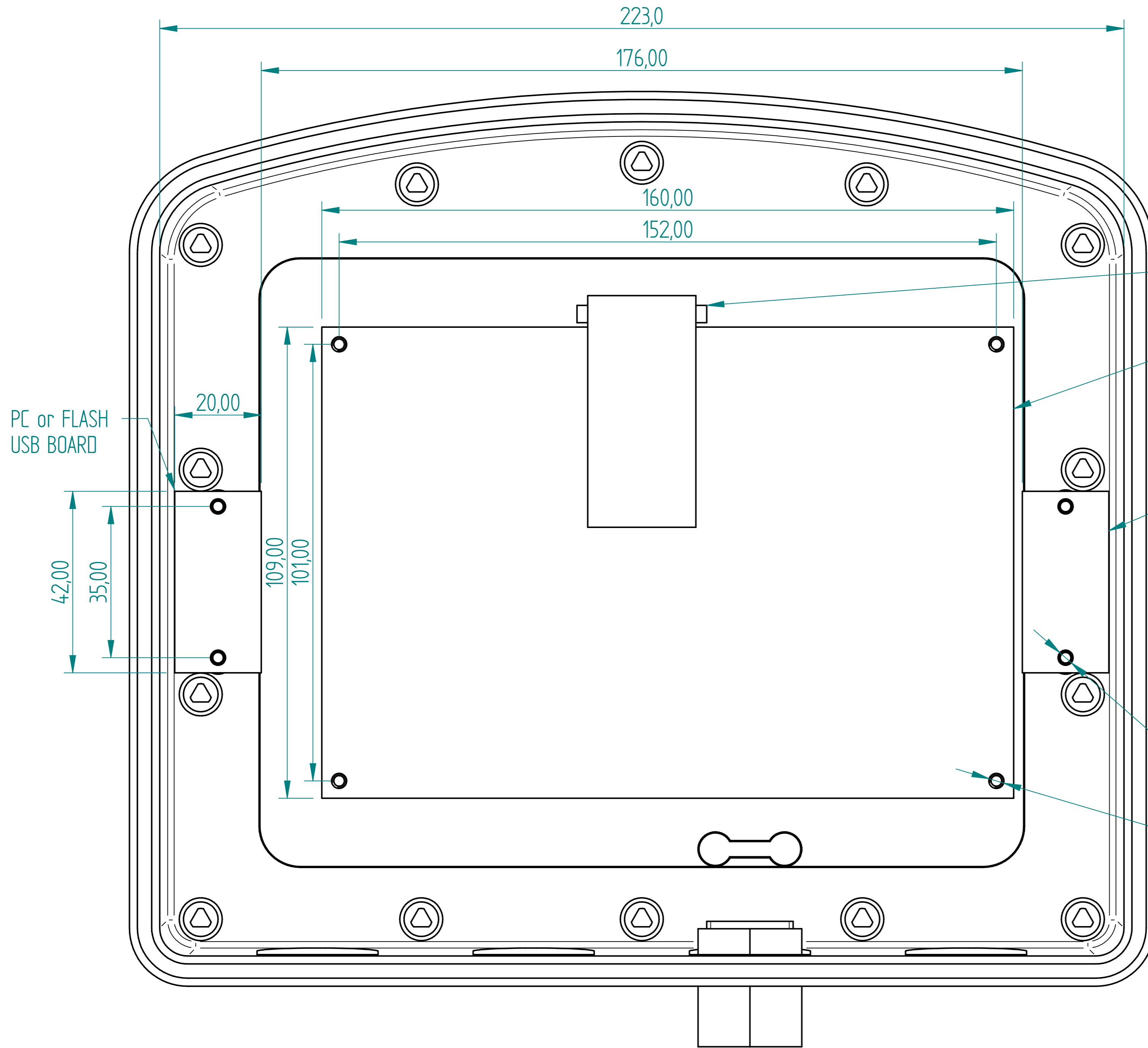
REVISION HISTORY			
REV	DESCRIPTION	DATE	APPROVED



SECTION A-A

DRAWN	NAME	DATE	AGRIGEL	
APPROVED	Dan	12/27/12		
MATERIAL			TITLE	
TREATMENT			SIZE	DWG NO
UNLESS OTHERWISE SPECIFIED DIMENSIONS ARE IN MILLIMETERS			A4	REV
1st ANGLE ANGLES ±0.1°			FILE NAME: Monitor.dft	
2 PL ±0.02 3 PL ±0.005			SCALE:	WEIGHT: SHEET 1 OF 5

REVISION HISTORY			
REV	DESCRIPTION	DATE	APPROVED



SLOT FOR SWITCH MEMBRANE CABLE

MAIN PCB MOUNTED ABOVE SCREEN PCB

PC or FLASH USB BOARD

PC or FLASH USB BOARD

BECAUSE OF DIFFERENT COMPONENT SIZES THESE USB BOARDS WILL HAVE TO BE AT DIFFERENT DEPTHS FROM THE FRONT COVER.

Ø 3,50

Ø 3,50

	NAME	DATE	AGRIGEL	
DRAWN	Dan	12/27/12		
APPROVED				
MATERIAL				
TREATMENT			TITLE	
UNLESS OTHERWISE SPECIFIED DIMENSIONS ARE IN MILLIMETERS			SIZE A4	DWG NO
1 st ANGLE			FILE NAME: Monitor.dft	REV
2 PL ±0.02 3 PL ±0.005			SCALE:	WEIGHT:
			SHEET 2 OF 5	

REVISION HISTORY			
REV	DESCRIPTION	DATE	APPROVED

AGRIGEL

www.agrigel.co.za

SWITCH MEMBRANE

FRONT COVER

COVER FOR EITHER
FLASH OR PC USB

COVER FOR EITHER
FLASH OR PC USB

MOUNTING HOLE

BACK COVER

CONNECTOR HOLES.
VOLTS IN AND A 6 CORE CABLE TO THE TRAILER CONNECTOR PLUG.
2 VOLTS & 2 x 2 RS-485

GPS ANTENNA

	NAME	DATE	AGRIGEL	
DRAWN	Dan	12/27/12	TITLE	
APPROVED				
MATERIAL				
TREATMENT				
UNLESS OTHERWISE SPECIFIED DIMENSIONS ARE IN MILLIMETERS			SIZE A4	DWG NO
1st ANGLE ANGLES ±0.1°			FILE NAME: Monitor.dft	
2 PL ±0.02 3 PL ±0.005			SCALE:	WEIGHT:
			SHEET 3 OF 5	