
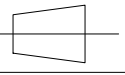
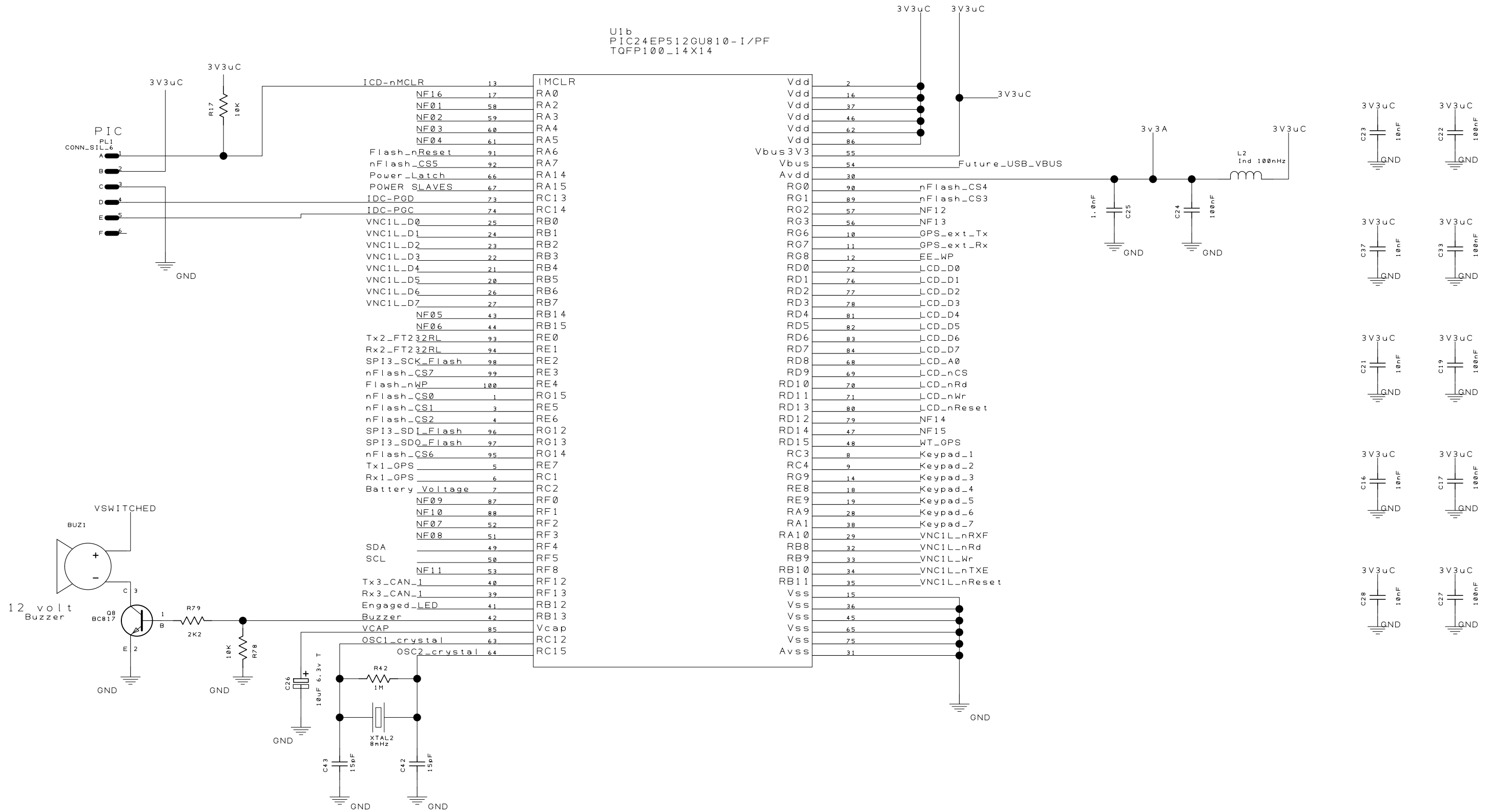
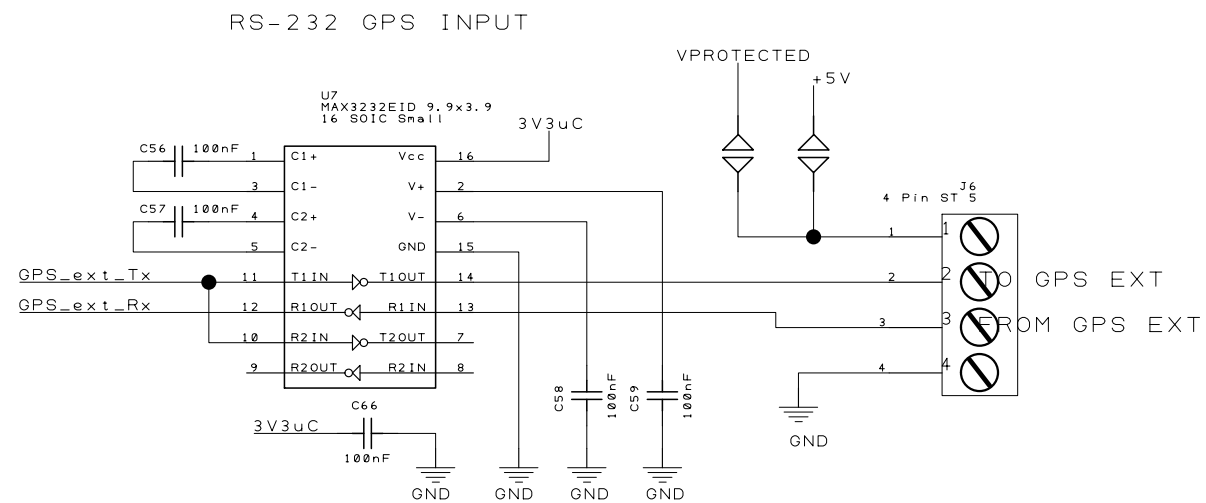
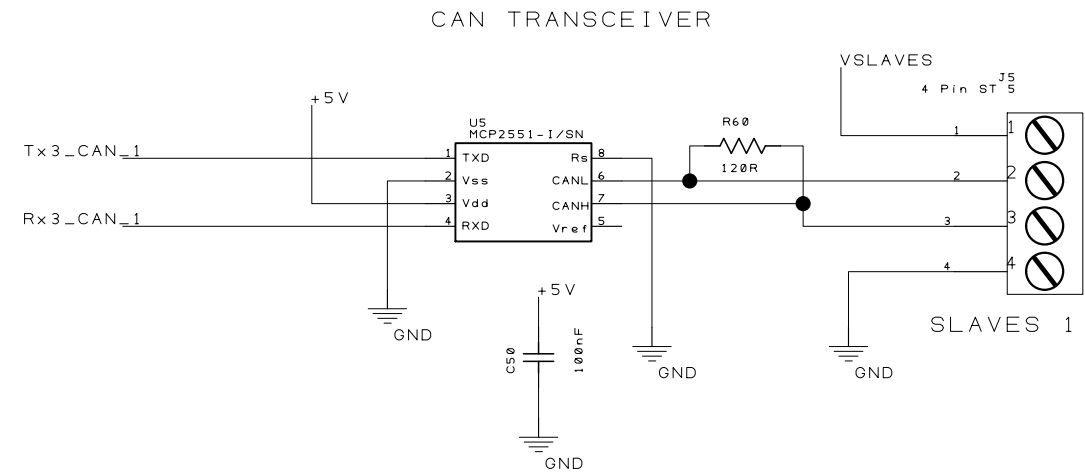
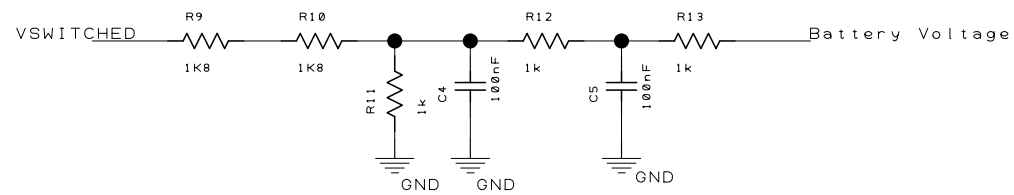


Rev -	Drawn D. G.	Check R. F.	Projection Do Not Scale	 	<h1>AGRIGEL</h1>	
Project	PRECISION PLANTING		Client			
Title	PRECISION FLOW CONTROL		Filename	MAIN BOARD 03		Drawing No.
						Sheet 1 of 6

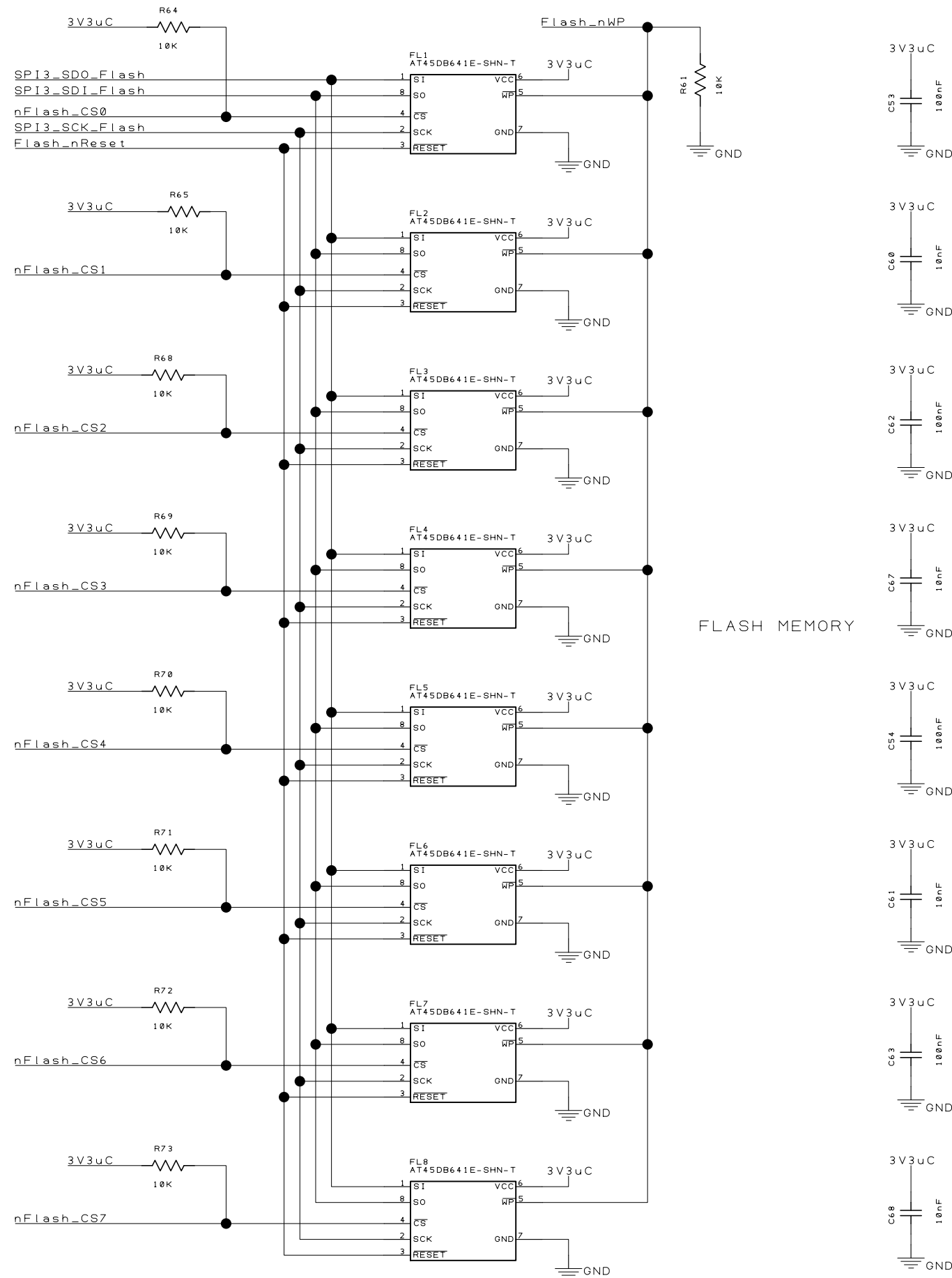
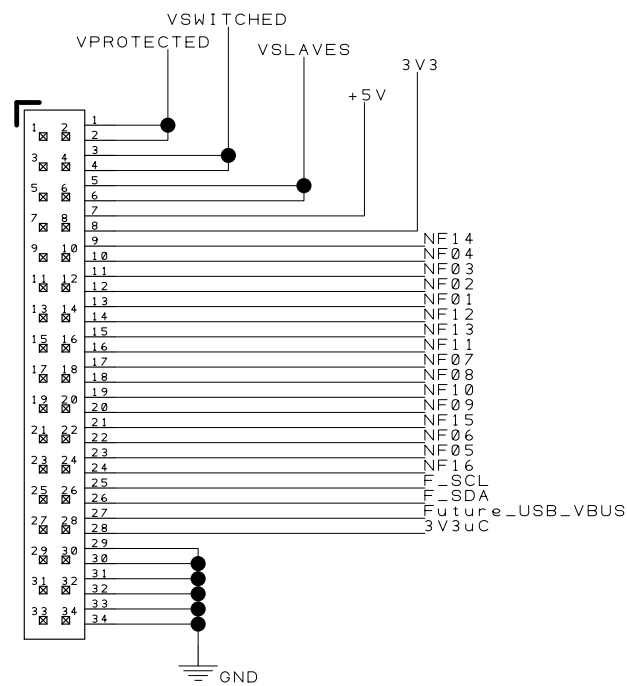
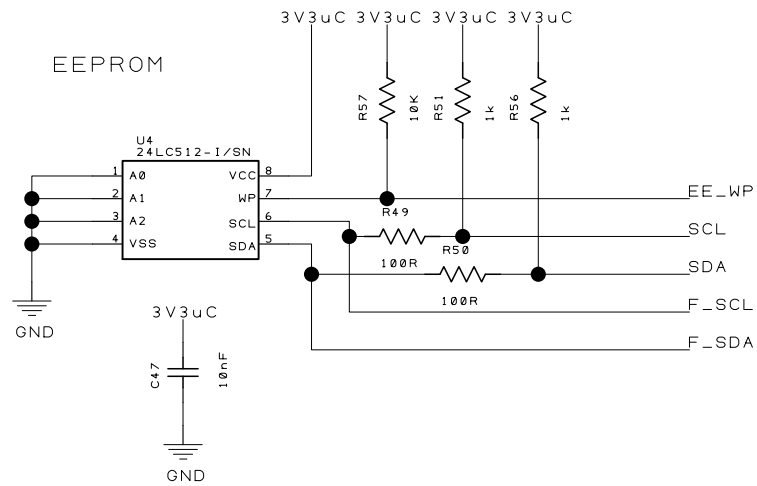
CHANGE TO PF (14X14)


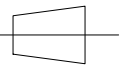


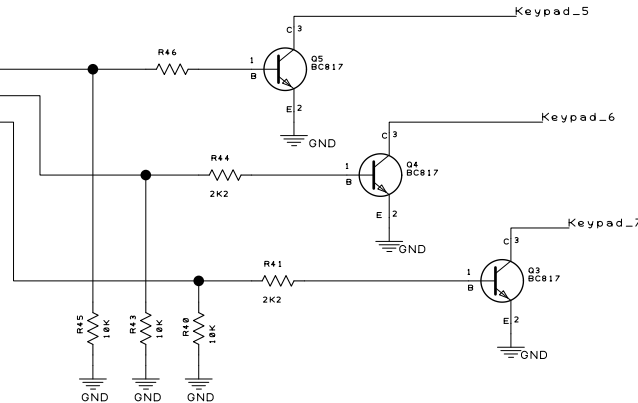
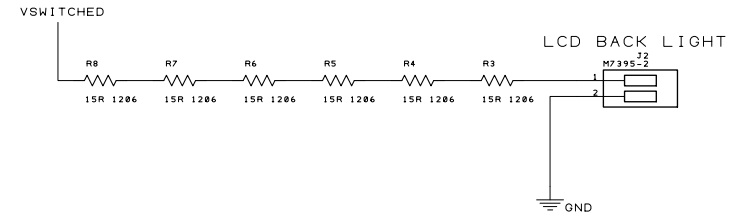
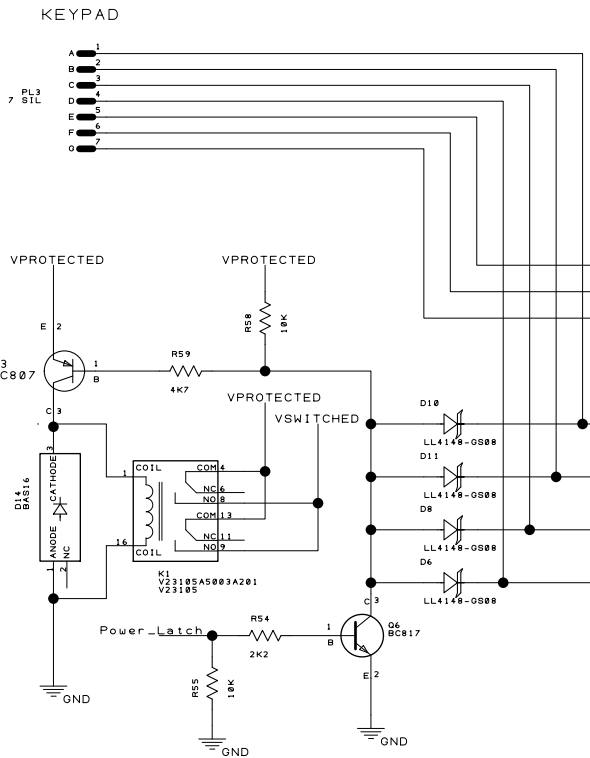
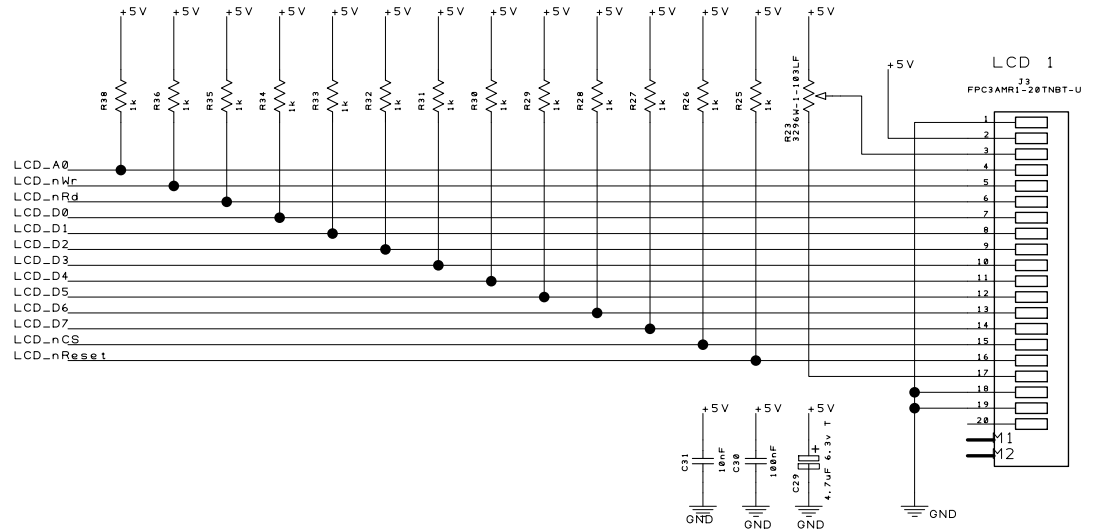
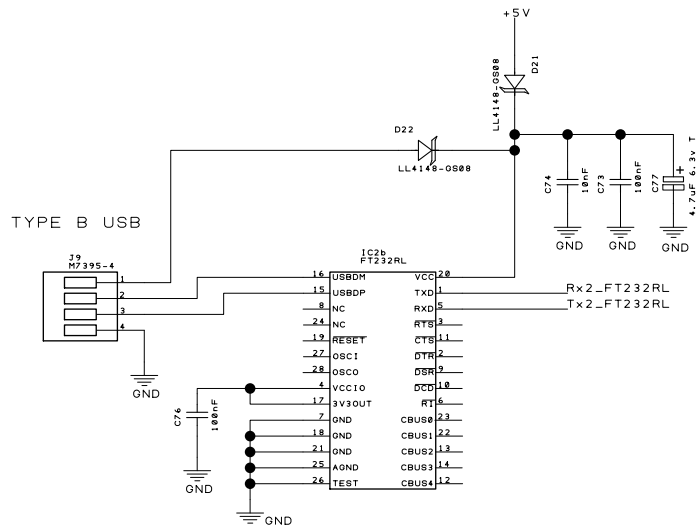
Rev -	Drawn D. G.	Check R. F.	Projection Do Not Scale			<h1>AGRIGEL</h1>	
Project	PRECISION PLANTING		Client				
Title	PRECISION FLOW CONTROL		Filename	MAIN BOARD 03		Drawing No.	Sheet 2 of 6



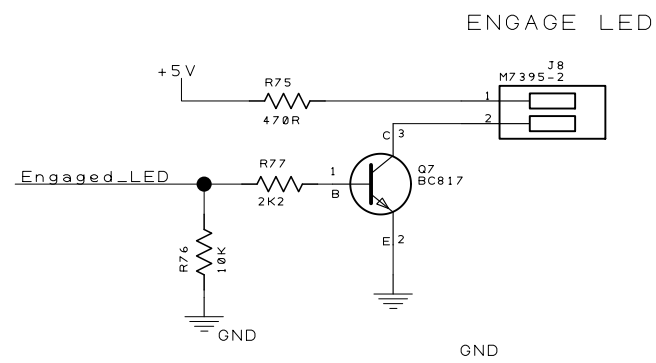
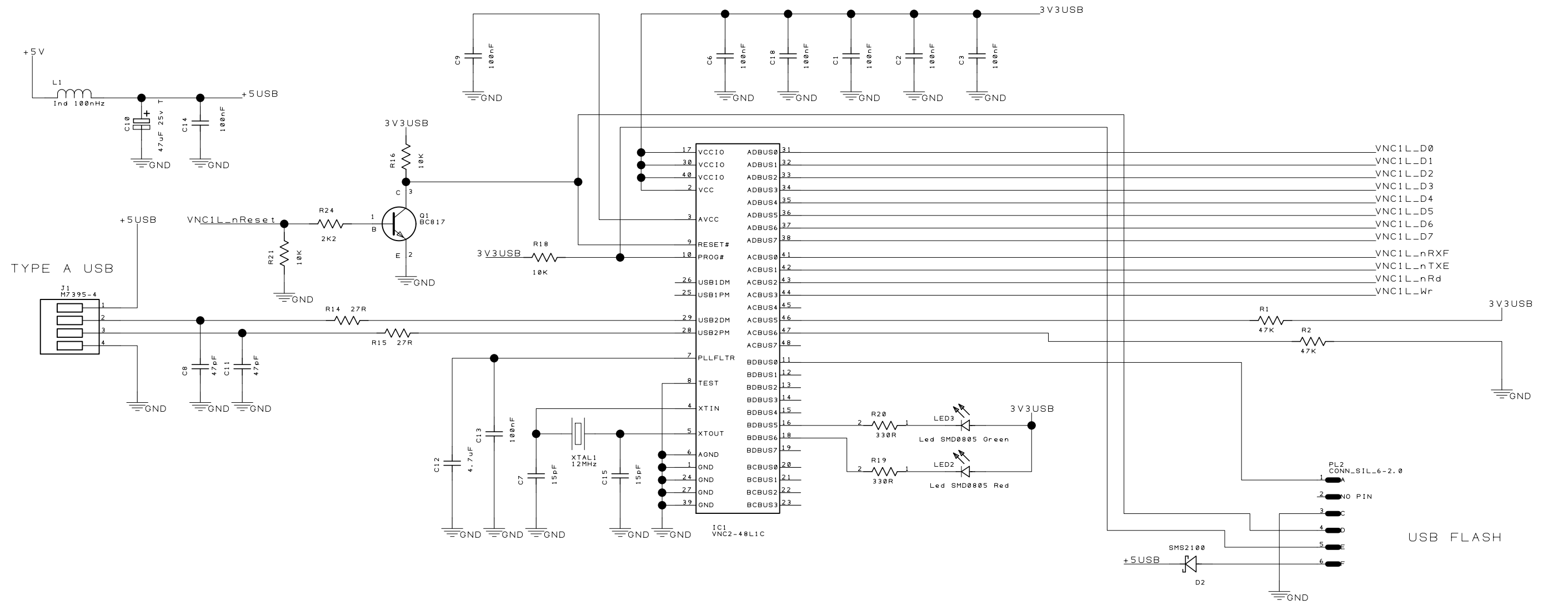
Rev -	Drawn D. G.	Check R. F.	Projection Do Not Scale			AGRIGEL	
Project PRECISION PLANTING			Client AGRIGEL			Drawing No.	
Title PRECISION FLOW CONTROL			Filename MAIN BOARD 03		Sheet 3 of 6		



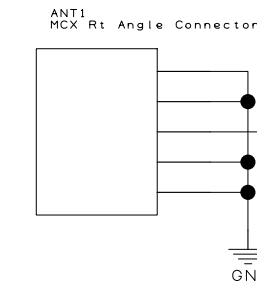
Rev -	Drawn D. G.	Check R. F.	Projection Do Not Scale	 	AGRIGEL	
Project	PRECISION PLANTING		Client			
Title	PRECISION FLOW CONTROL		Filename	MAIN BOARD 03		Drawing No.
						Sheet
						4 of 6



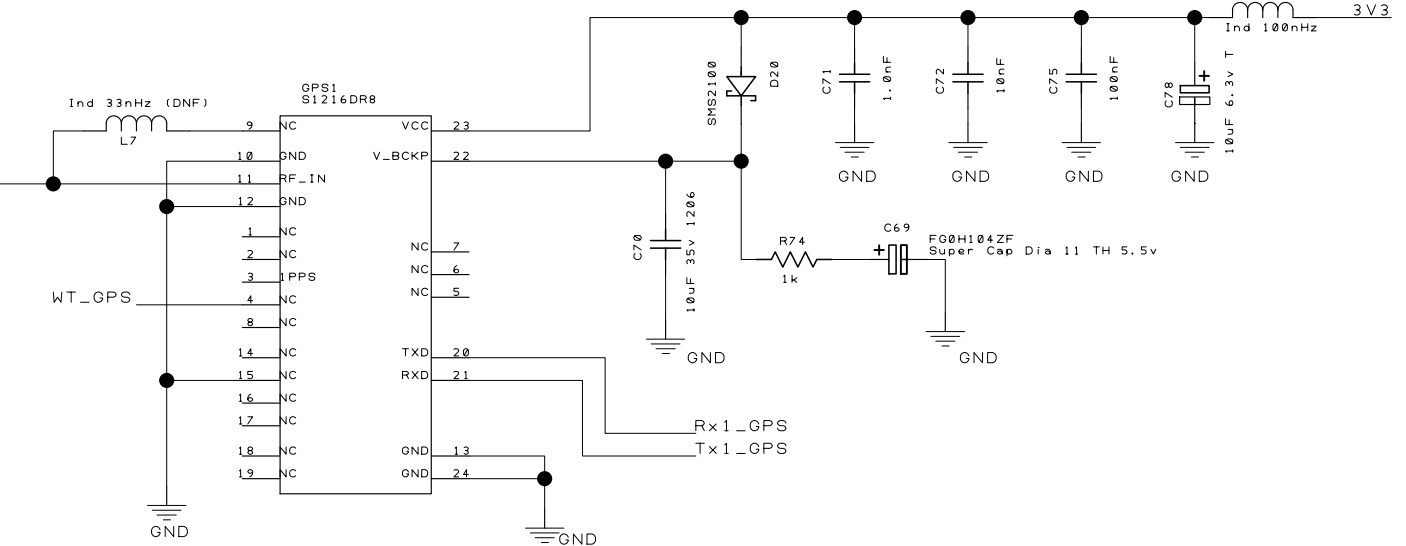
Rev -	Drawn D. G.	Check R. F.	Projection Do Not Scale	 	AGRIGEL
Project	PRECISION PLANTING		Client		
Title	PRECISION FLOW CONTROL		Filename	MAIN BOARD 03	Drawing No.
					Sheet 5 of 6



GPS ANTENNA



GPS MODULE



Rev -	Drawn D. G.	Check R. F.	Projection Do Not Scale	AGRIGEL
Project PRECISION PLANTING			Client AGRIGEL	
Title PRECISION FLOW CONTROL	Filename MAIN BOARD 03		Drawing No.	Sheet 6 of 6