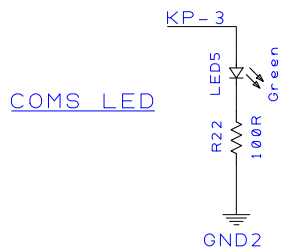
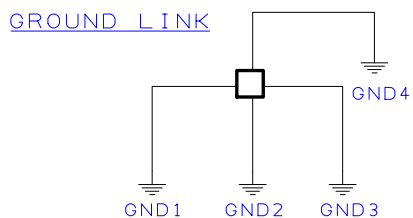
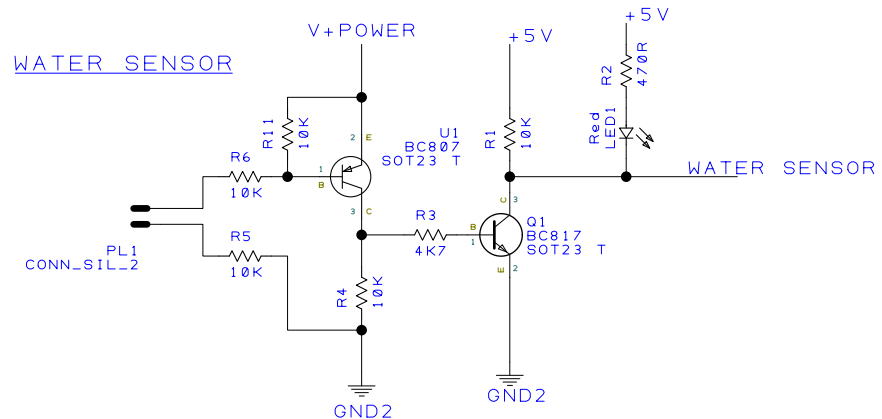
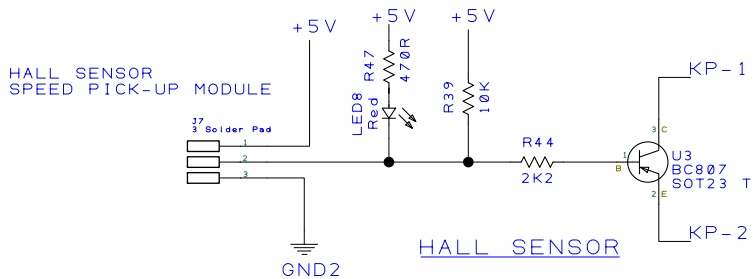
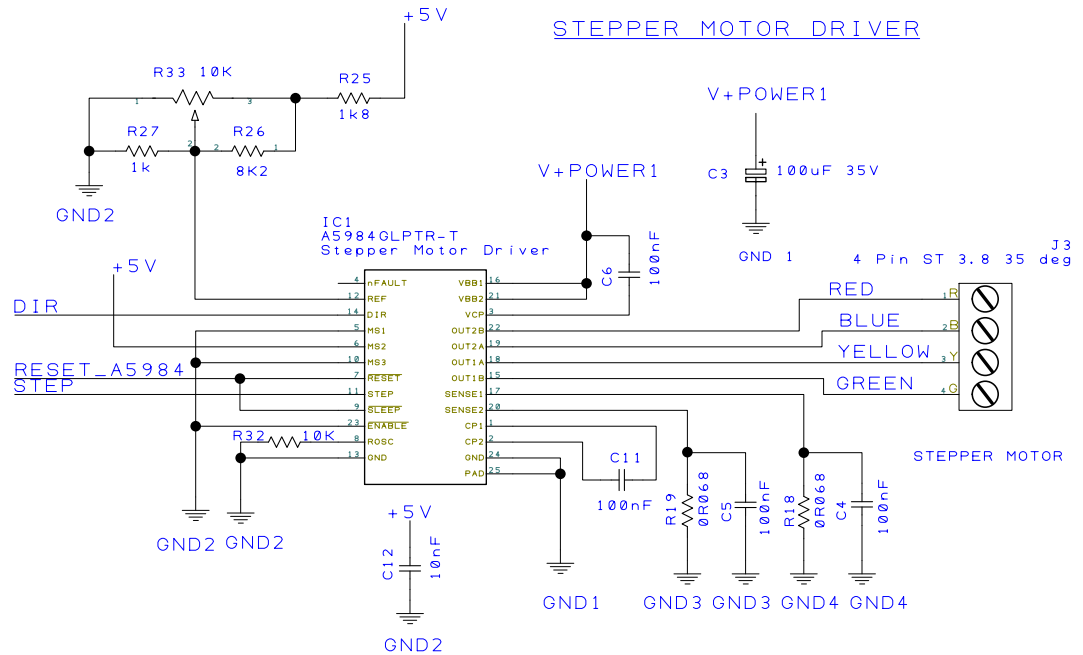
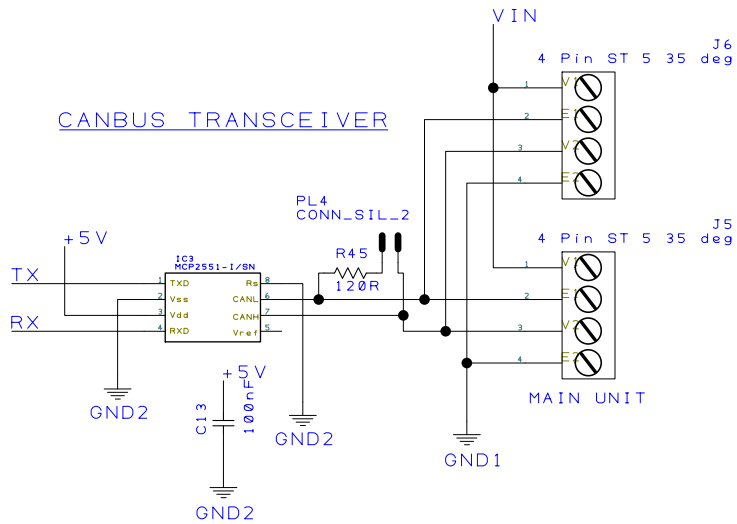
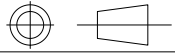
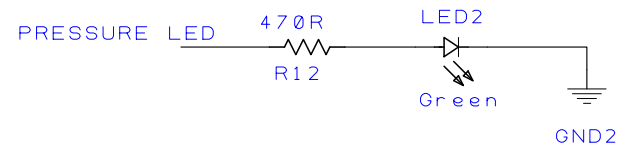


Rev - 0401	Drawn D. L. G.	Check	Projection Do Not Scale		AGRIGEL	
Project Agrigel Precision Flow			Client AGRIGEL			
Title FLOW CONTROL BOARD			Filename Flow Control Board 0401.prj			Drawing No.

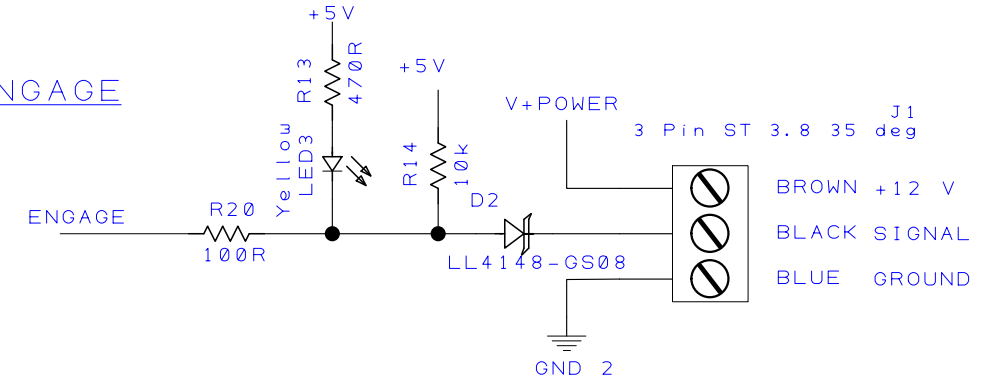


Rev - 0401	Drawn D. L. G.	Check	Projection Do Not Scale		<h1>AGRIGEL</h1>
Project Agrigel Precision Flow			Client AGRIGEL		
Title FLOW CONTROL BOARD			Filename Flow Control Board 0401.prj	Drawing No.	

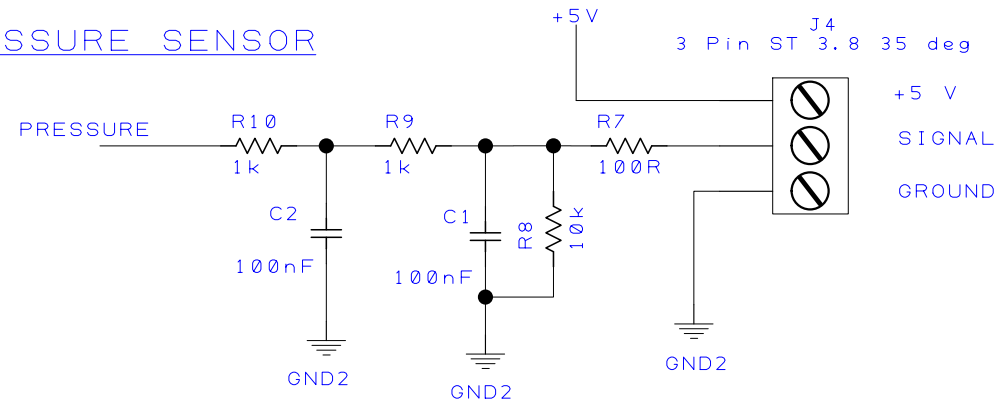
PRESSURE_LED



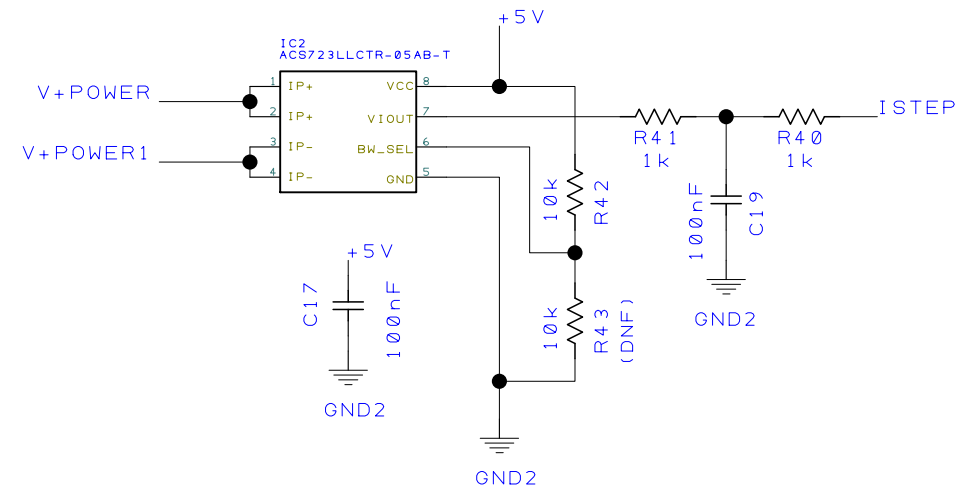
ENGAGE



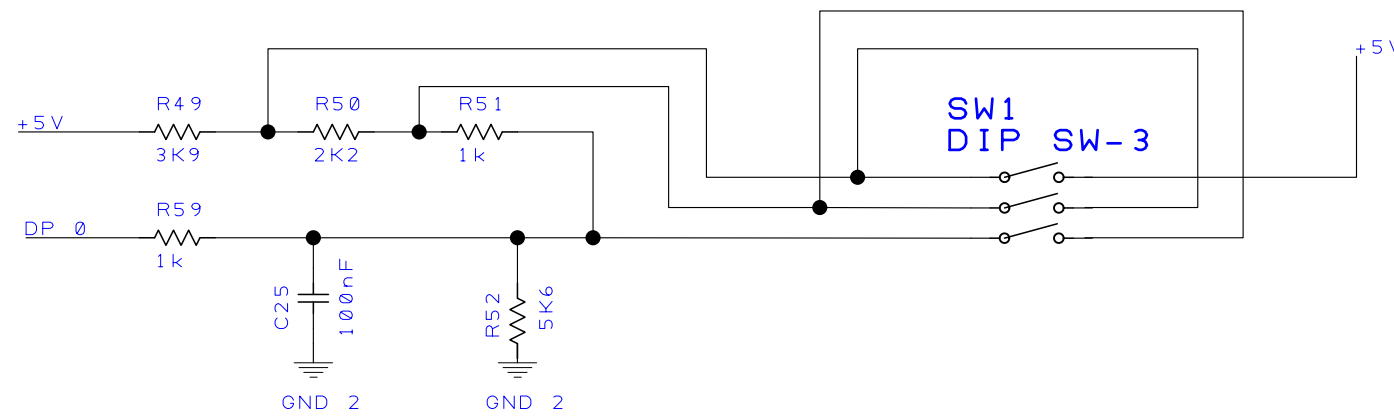
PRESSURE_SENSOR



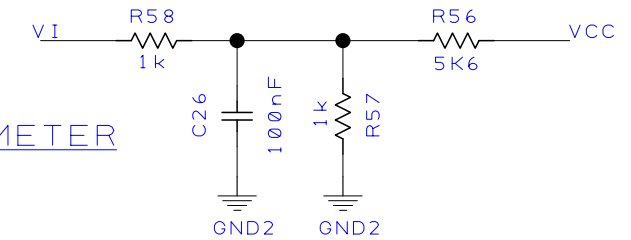
STEPPER AMP METER



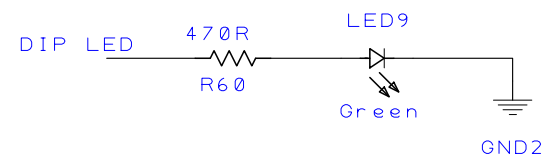
DIP_SWITCH



INPUT VOLT METER



DIP_SWITCH_LED



Rev - 0401	Drawn D. L. G.	Check	Projection Do Not Scale		AGRIGEL
Project Agrigel Precision Flow			Client AGRIGEL		
Title FLOW CONTROL BOARD			Filename Flow Control Board 0401.prj		Drawing No.
					Sheet of