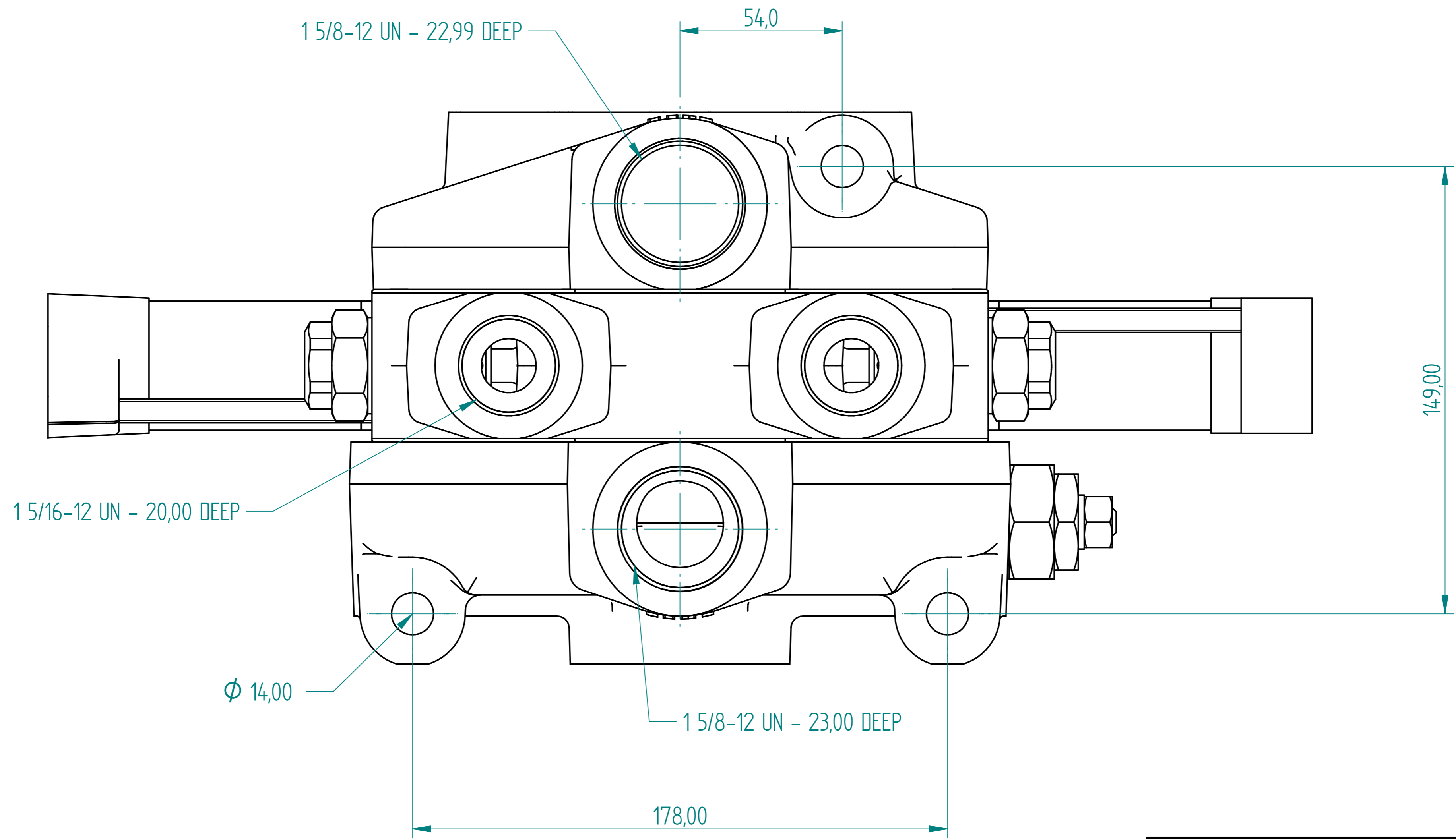


REVISION HISTORY			
REV	DESCRIPTION	DATE	APPROVED



	NAME	DATE	PREMAC	
DRAWN	DG	10/19/15		
APPROVED				
MATERIAL				
TREATMENT			TITLE	
UNLESS OTHERWISE SPECIFIED DIMENSIONS ARE IN MILLIMETERS ANGLES $\pm 0.1^\circ$			SIZE A4	DWG NO
1 ST ANGLE			FILE NAME: 1 Bank Valve.dft	REV
2 PL ± 0.02 3 PL ± 0.005			SCALE:	WEIGHT:
			SHEET 1 OF 1	