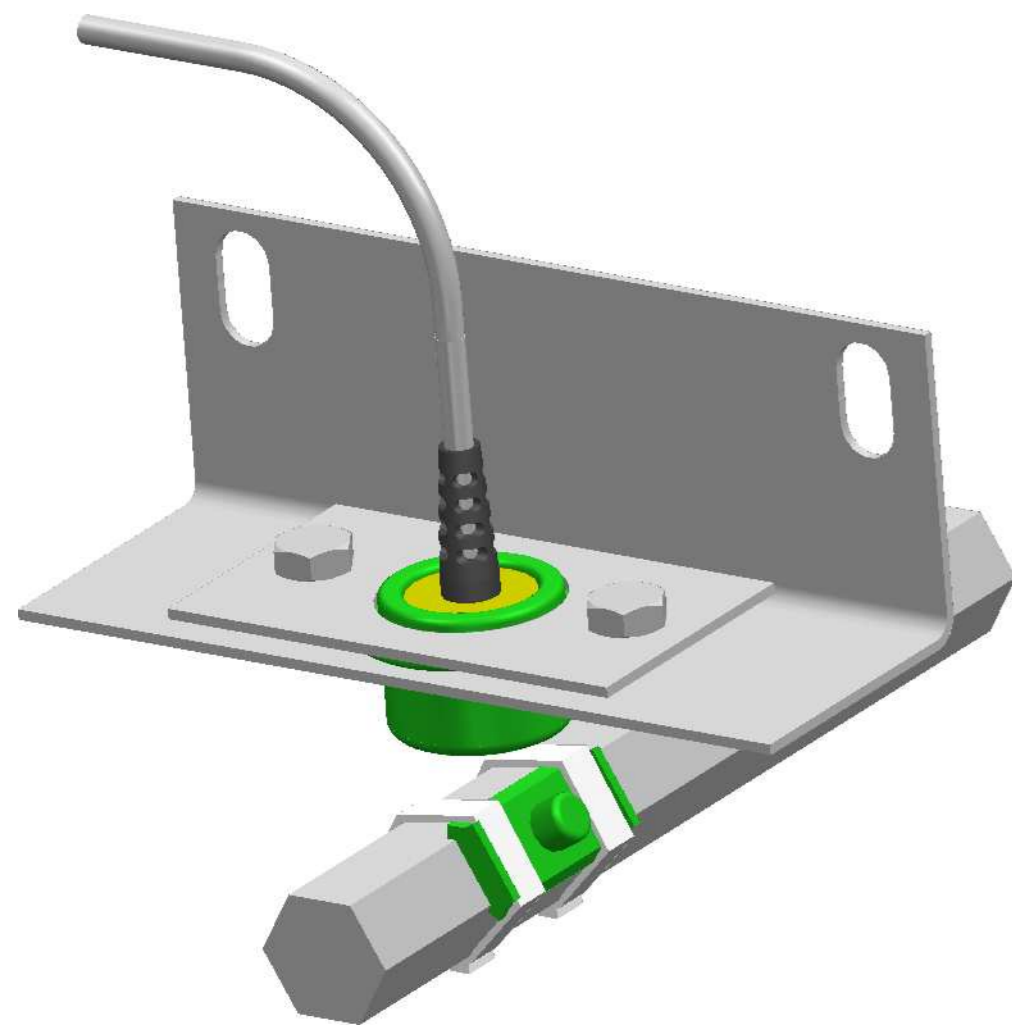
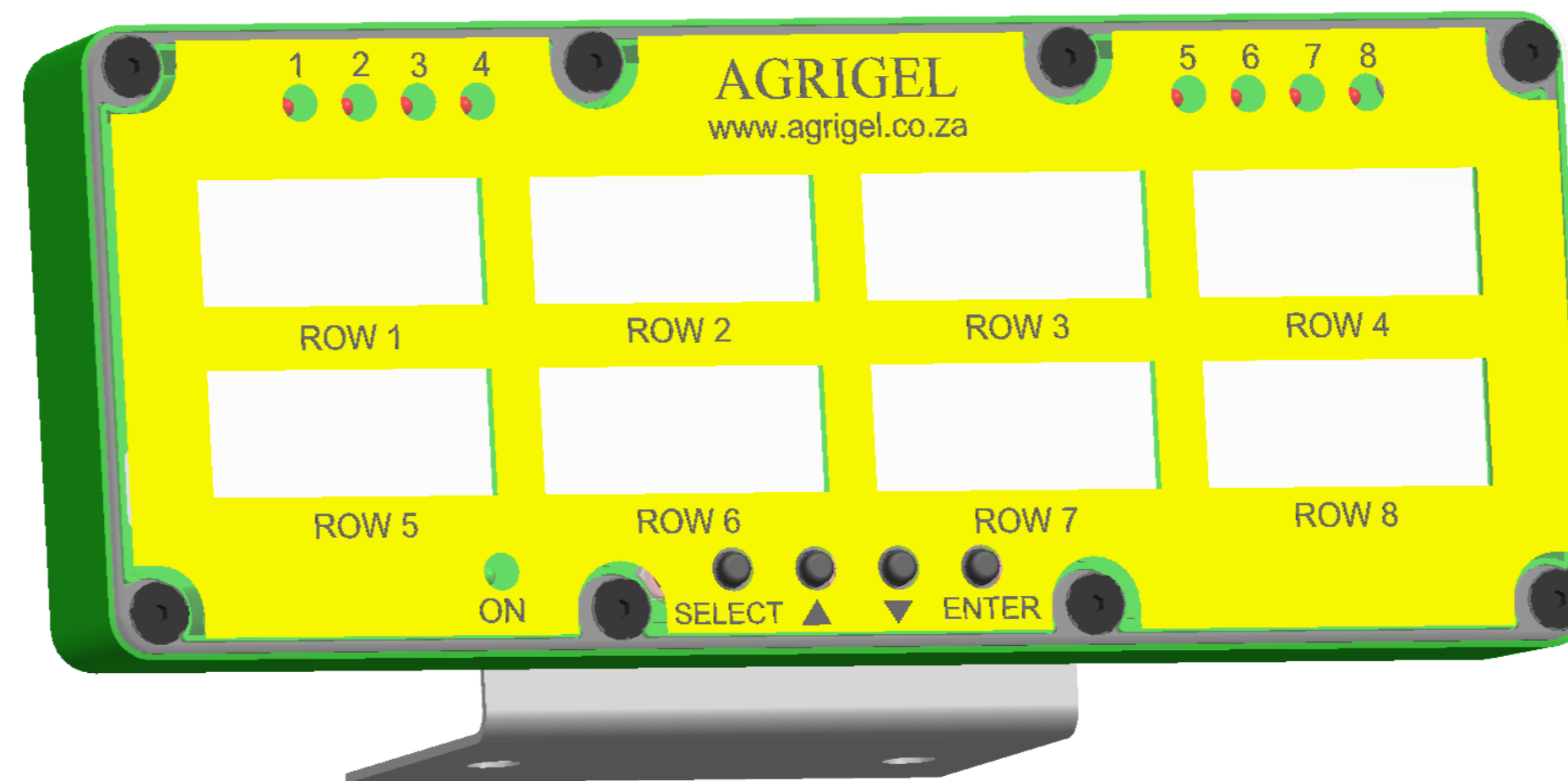


REVISION HISTORY			
REV	DESCRIPTION	DATE	APPROVED



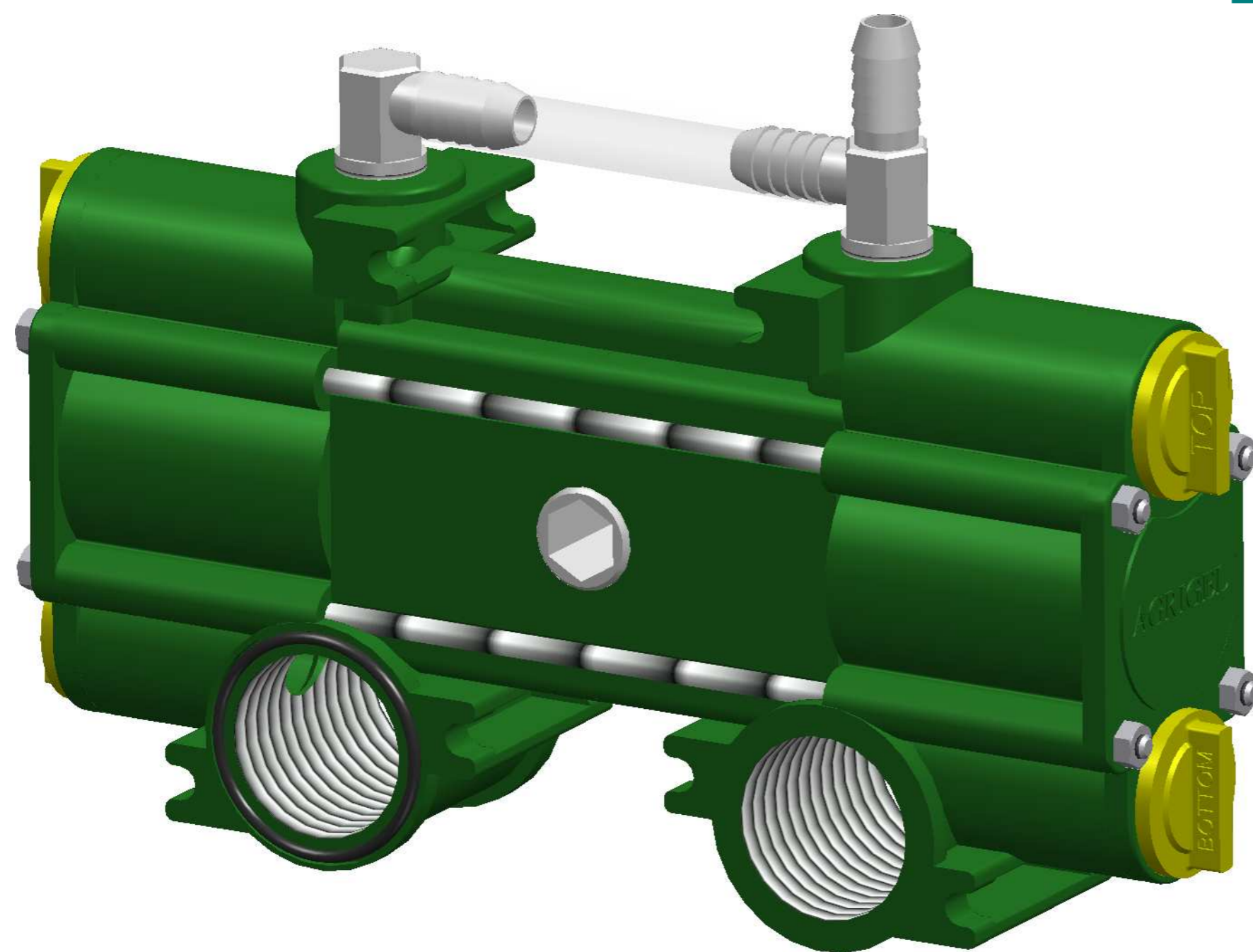
SHAFT SENSOR



DISPLAY BOX



DISTRIBUTION BOX



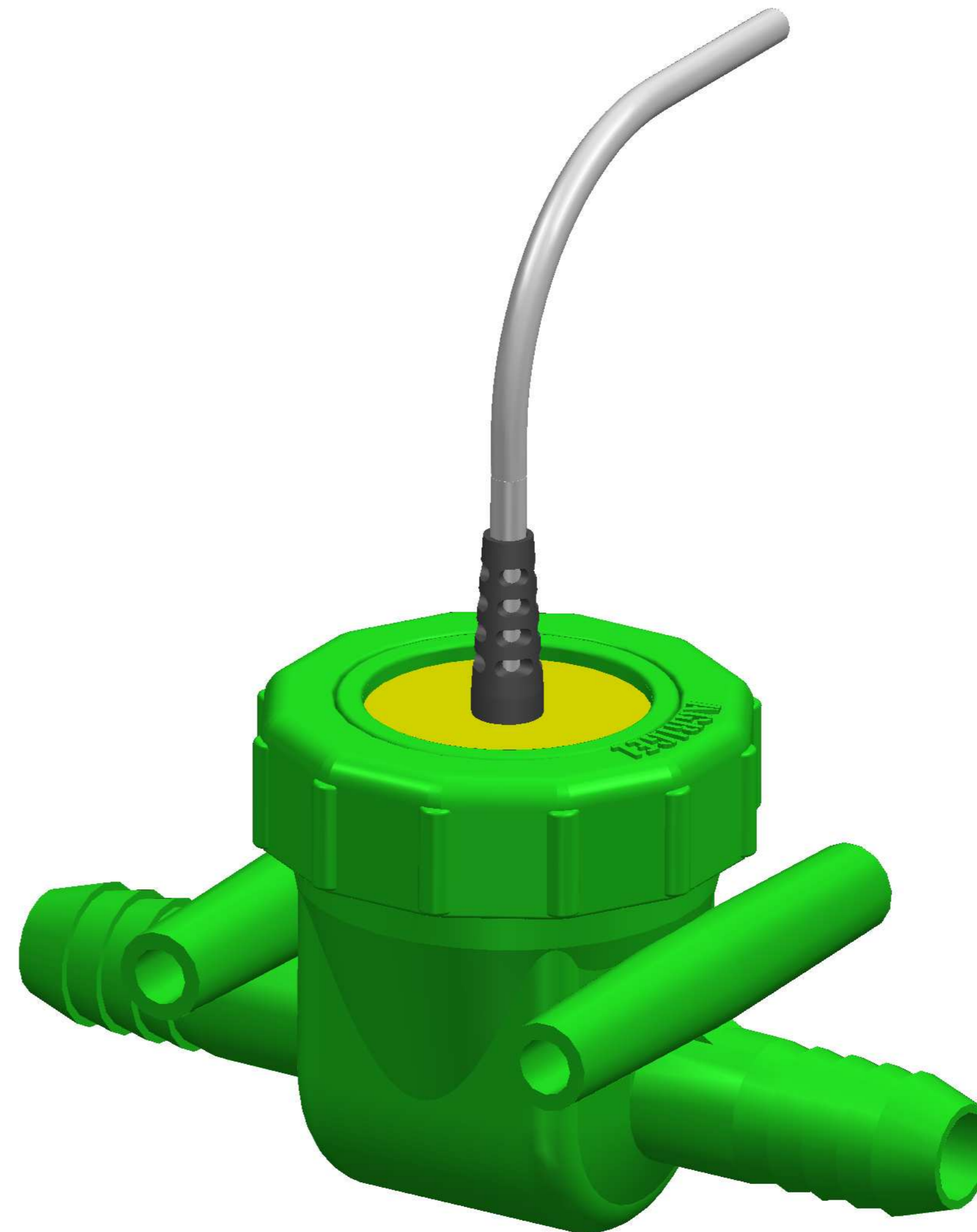
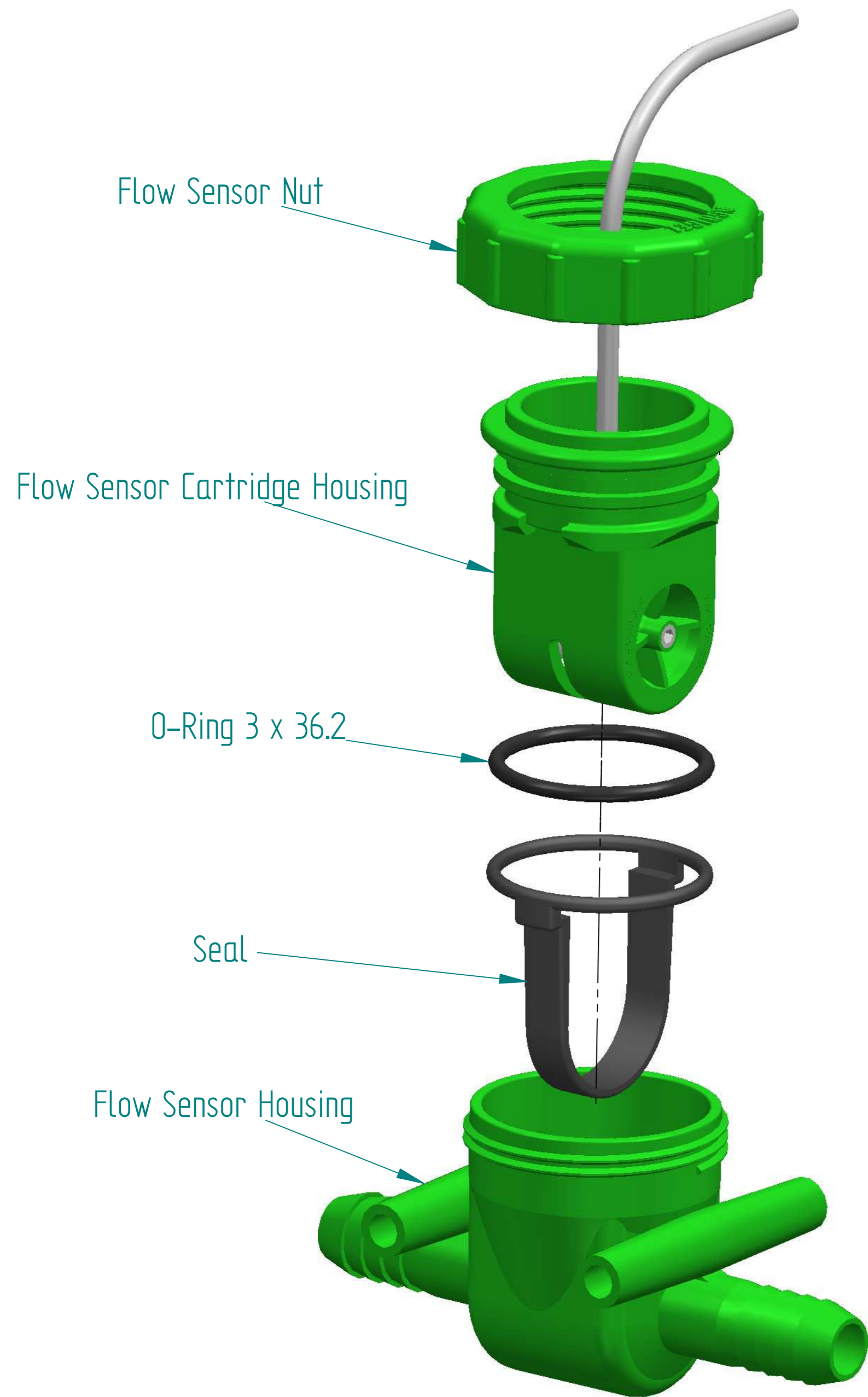
LIQUID FERTILIZER PUMP



IMPELLER UNIT

	NAME	DATE	AGRIGEL	
DRAWN	Dan	06/01/10	TITLE	
APPROVED			Impeller Monitor	
MATERIAL			SIZE	DWG NO
TREATMENT			A4	
UNLESS OTHERWISE SPECIFIED DIMENSIONS ARE IN MILLIMETERS			FILE NAME: Impeller Monitor.dft	REV
1st ANGLE ANGLES ±0.1°			SCALE:	WEIGHT:
2 PL ±0.02 3 PL ±0.005				SHEET 1 OF 7

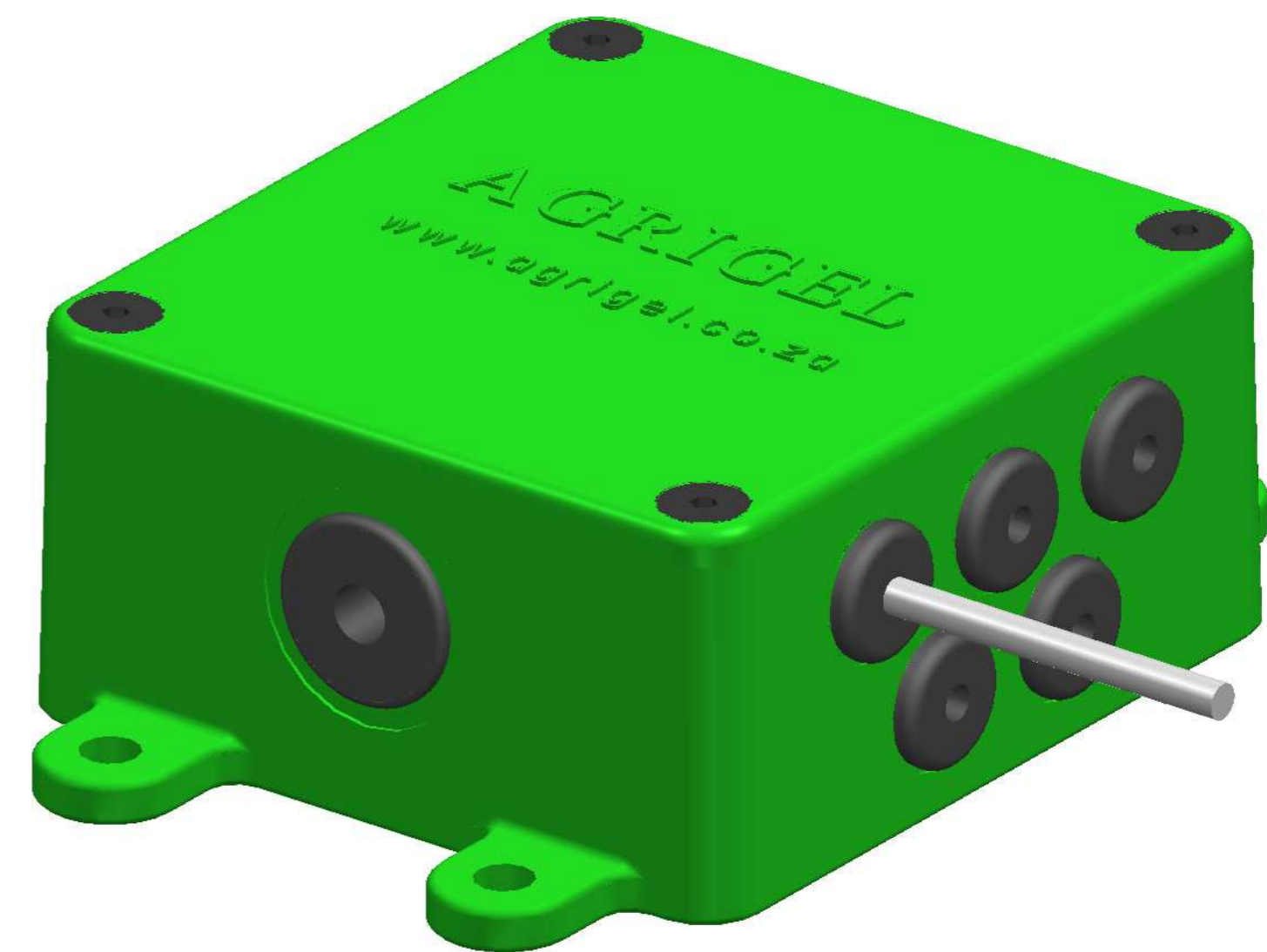
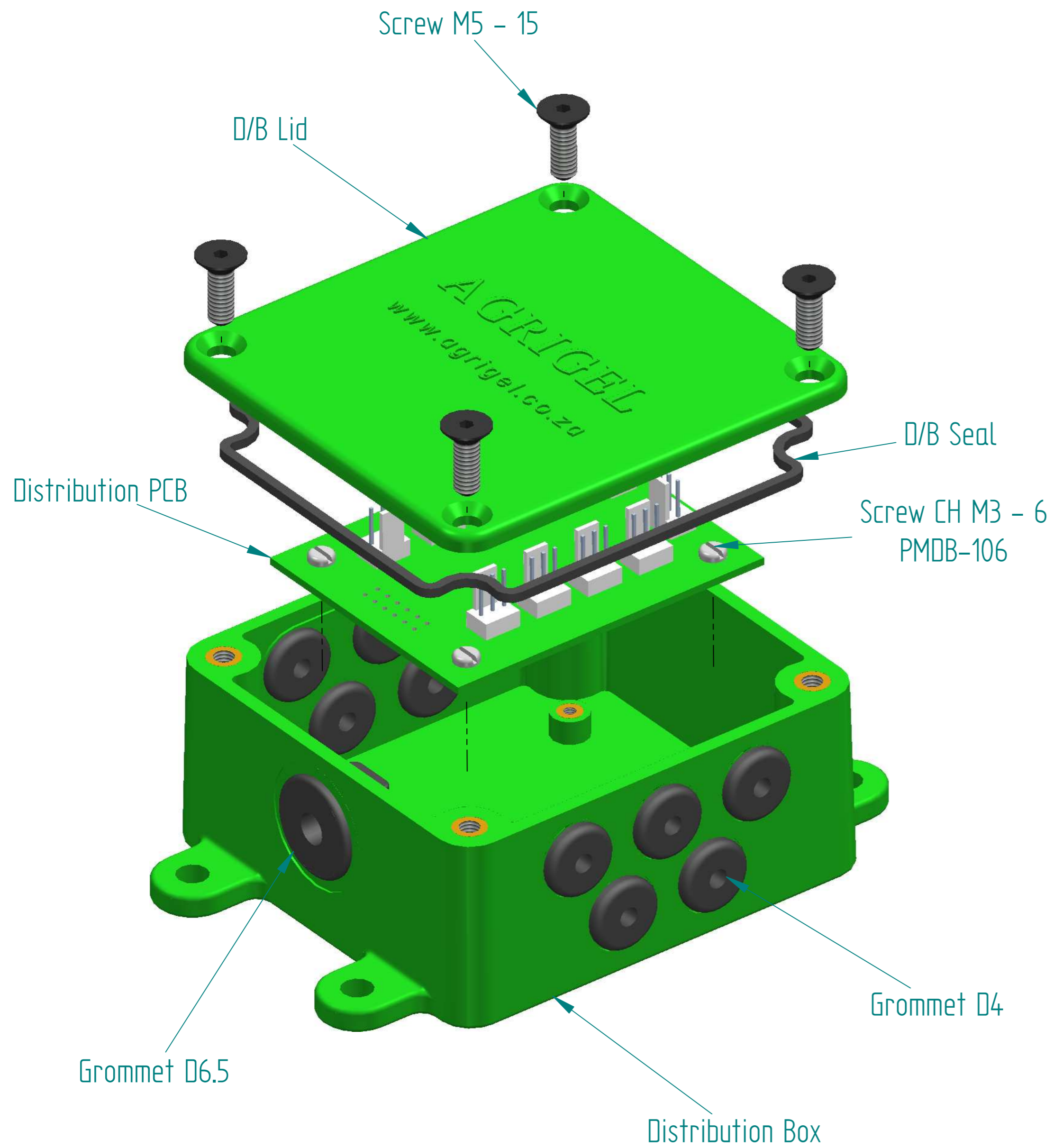
REVISION HISTORY			
REV	DESCRIPTION	DATE	APPROVED



IMPELLER UNIT

	NAME	DATE	AGRIGEL	
DRAWN	Dan	06/01/10	TITLE	
APPROVED			Impeller Monitor	
MATERIAL			SIZE	DWG NO
TREATMENT			A4	
UNLESS OTHERWISE SPECIFIED DIMENSIONS ARE IN MILLIMETERS			FILE NAME: Impeller Monitor.dft	REV
1st ANGLE ANGLES ±0.1°			SCALE:	WEIGHT:
2 PL ±0.02 3 PL ±0.005				SHEET 2 OF 7

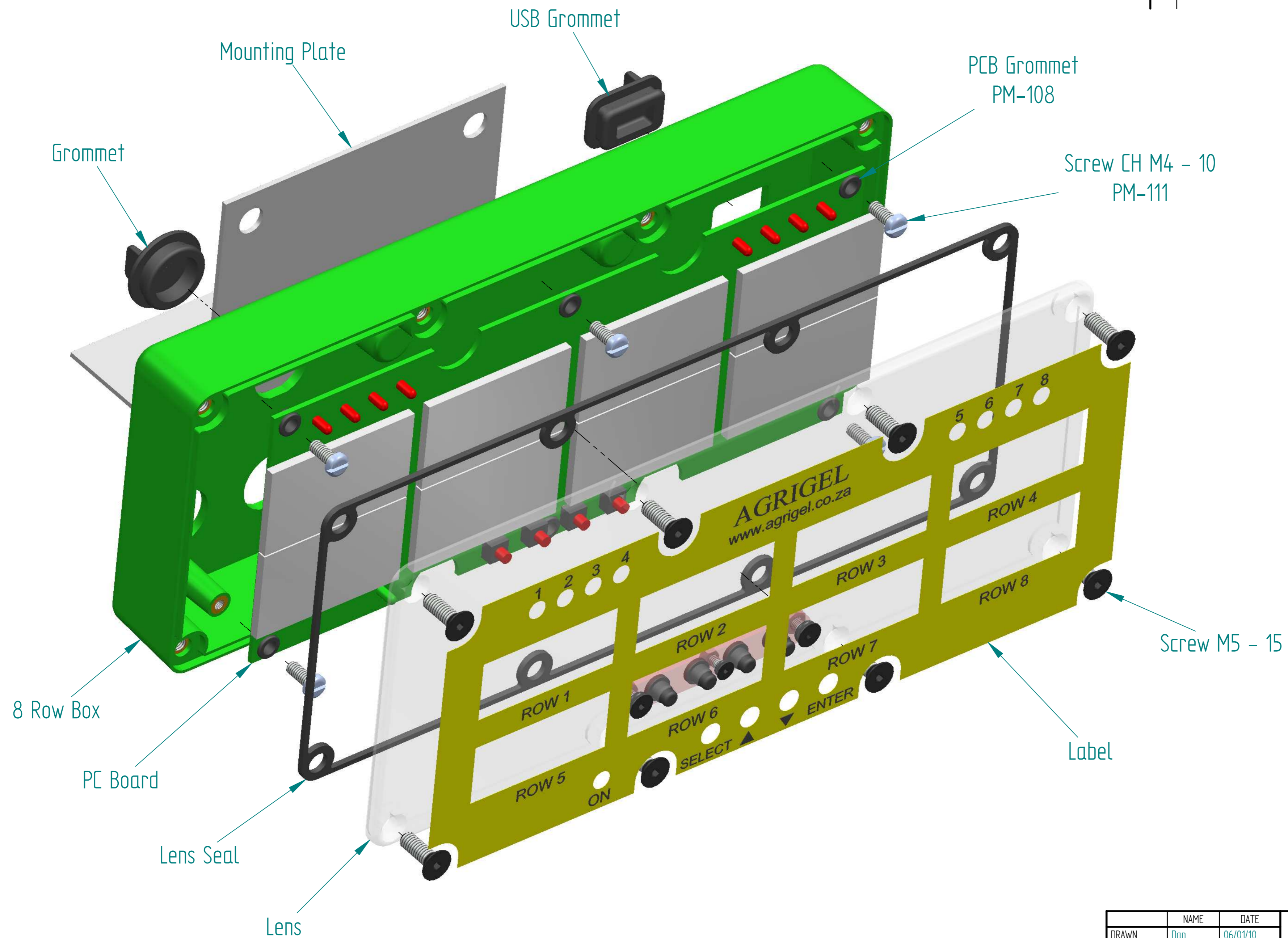
REVISION HISTORY			
REV	DESCRIPTION	DATE	APPROVED



DISTRIBUTION BOX

	NAME	DATE	AGRIGEL	
DRAWN	Dan	06/01/10		
APPROVED				
MATERIAL				
TREATMENT			TITLE	Impeller Monitor
UNLESS OTHERWISE SPECIFIED DIMENSIONS ARE IN MILLIMETERS			SIZE	DWG NO
ANGLES ±0.1°				
2 PL ±0.02 3 PL ±0.005			FILE NAME: Impeller Monitor.dft	REV
			SCALE:	WEIGHT:
			SHEET 3 OF 7	

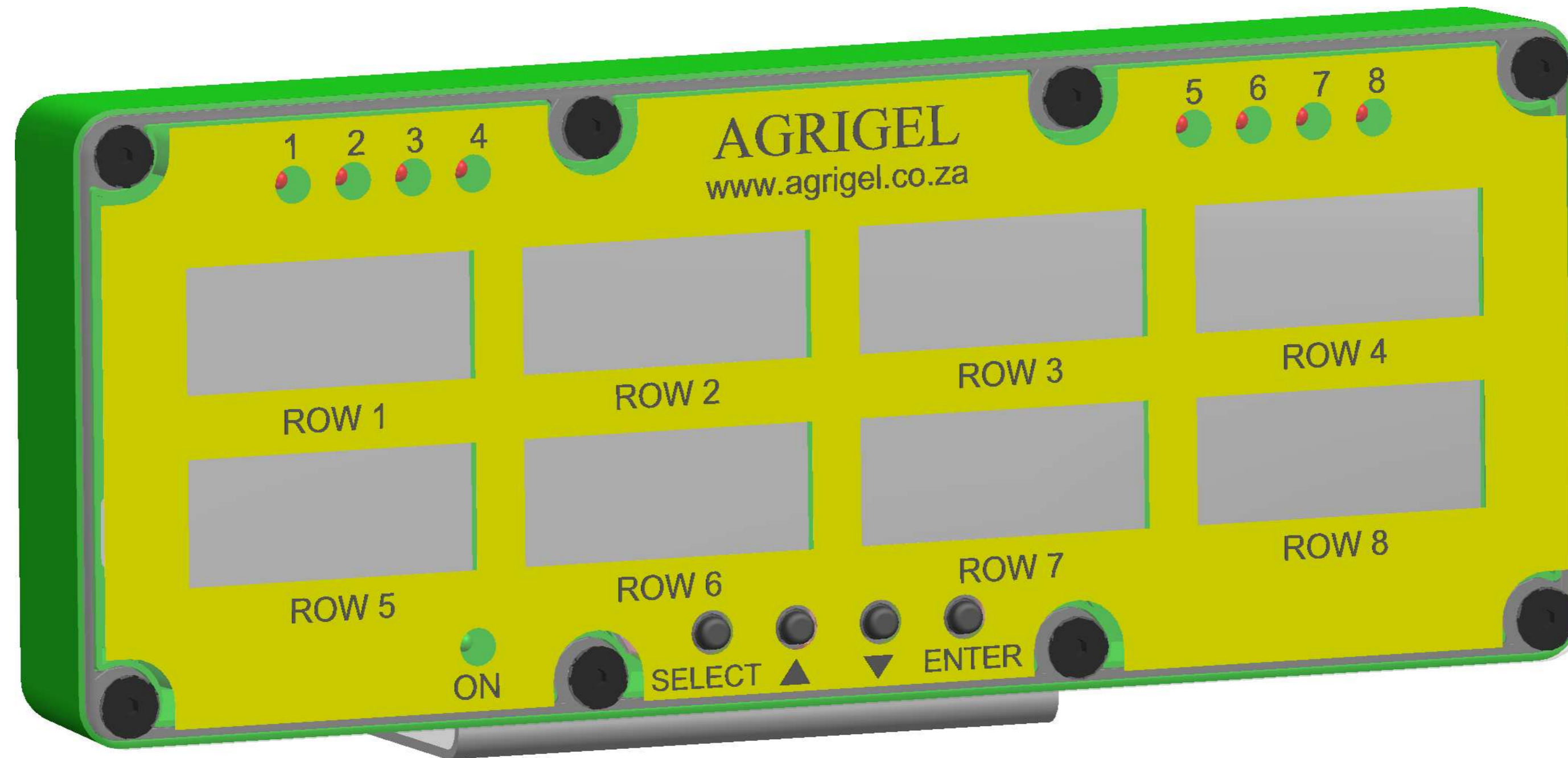
REVISION HISTORY			
REV	DESCRIPTION	DATE	APPROVED



8 ROW DISPLAY BOX

	NAME	DATE	AGRIGEL	
DRAWN	Dan	06/01/10	TITLE	
APPROVED			Impeller Monitor	
MATERIAL			SIZE	DWG NO
TREATMENT			A4	
UNLESS OTHERWISE SPECIFIED DIMENSIONS ARE IN MILLIMETERS			FILE NAME: Impeller Monitor.dft	REV
1st ANGLE ANGLES ±0.1°			SCALE:	WEIGHT:
2 PL ±0.02 3 PL ±0.005				SHEET 4 OF 7

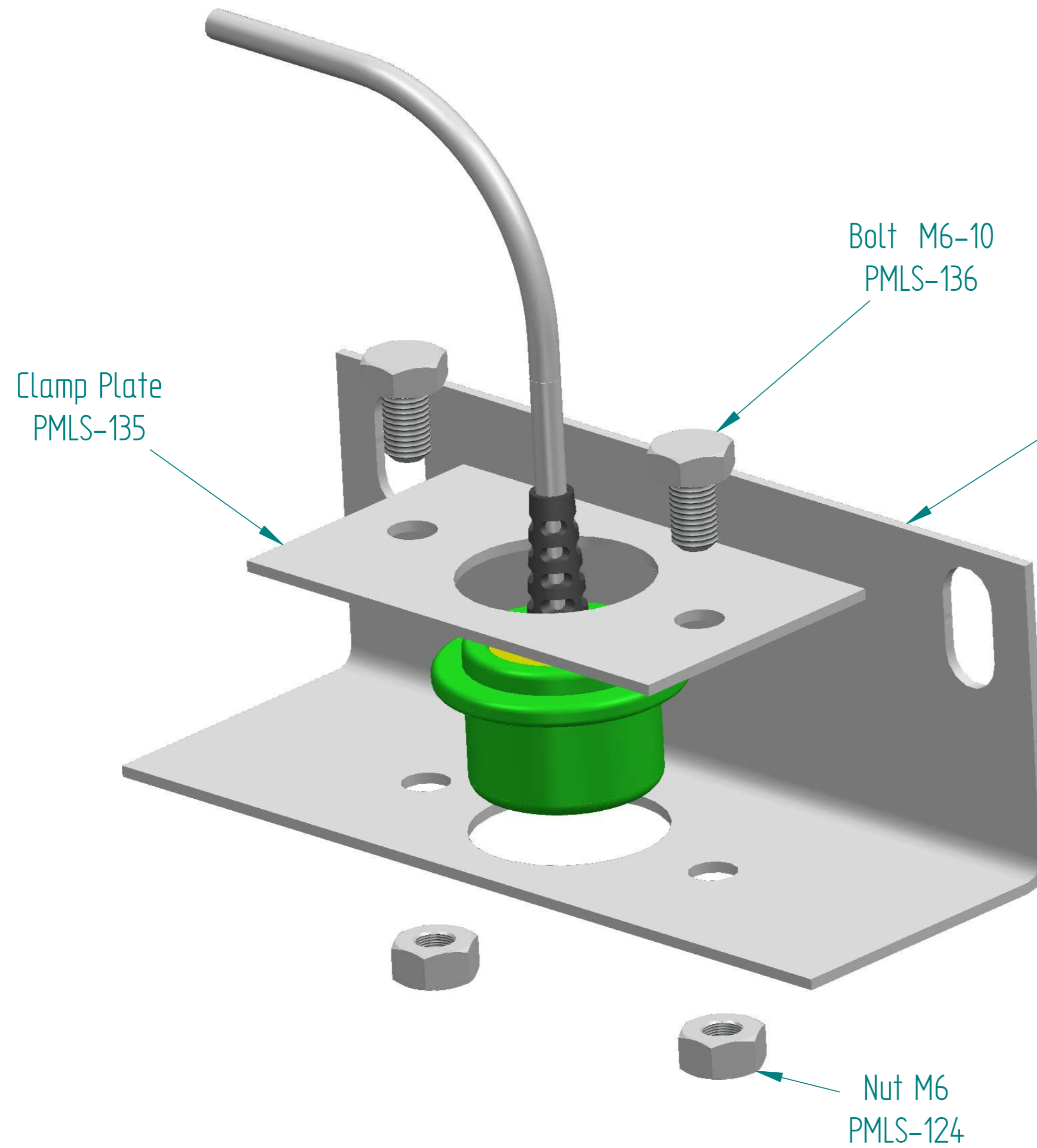
REVISION HISTORY			
REV	DESCRIPTION	DATE	APPROVED



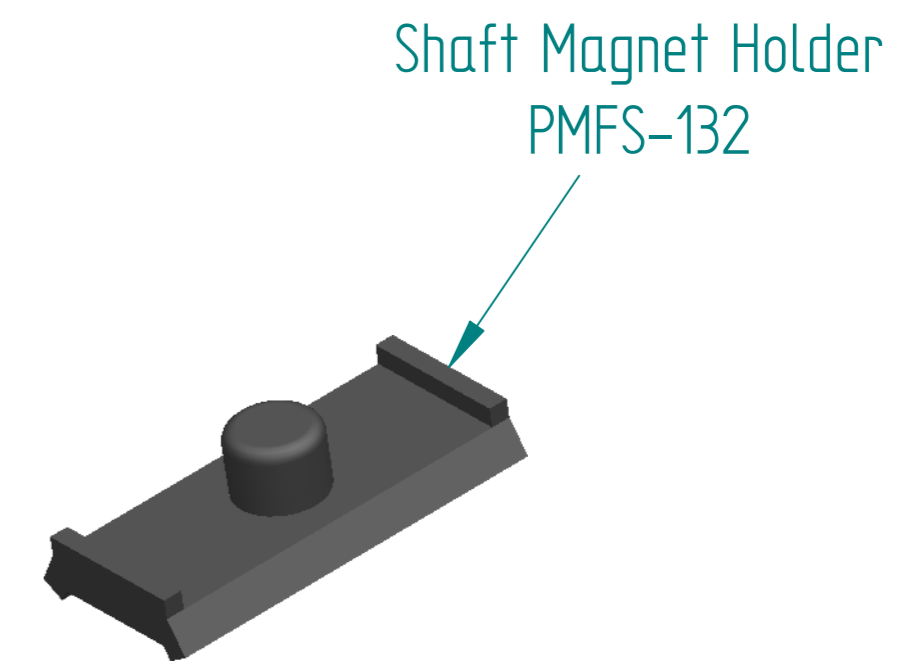
DISPLAY BOX

	NAME	DATE	AGRIGEL	
DRAWN	Dan	06/01/10		
APPROVED				
MATERIAL				
TREATMENT			TITLE	Impeller Monitor
UNLESS OTHERWISE SPECIFIED DIMENSIONS ARE IN MILLIMETERS			SIZE	DWG NO
1st ANGLE ANGLES ±0.1°			FILE NAME: Impeller Monitor.dft	REV
2 PL ±0.02 3 PL ±0.005			SCALE:	WEIGHT:
			SHEET 5 OF 7	

REVISION HISTORY			
REV	DESCRIPTION	DATE	APPROVED



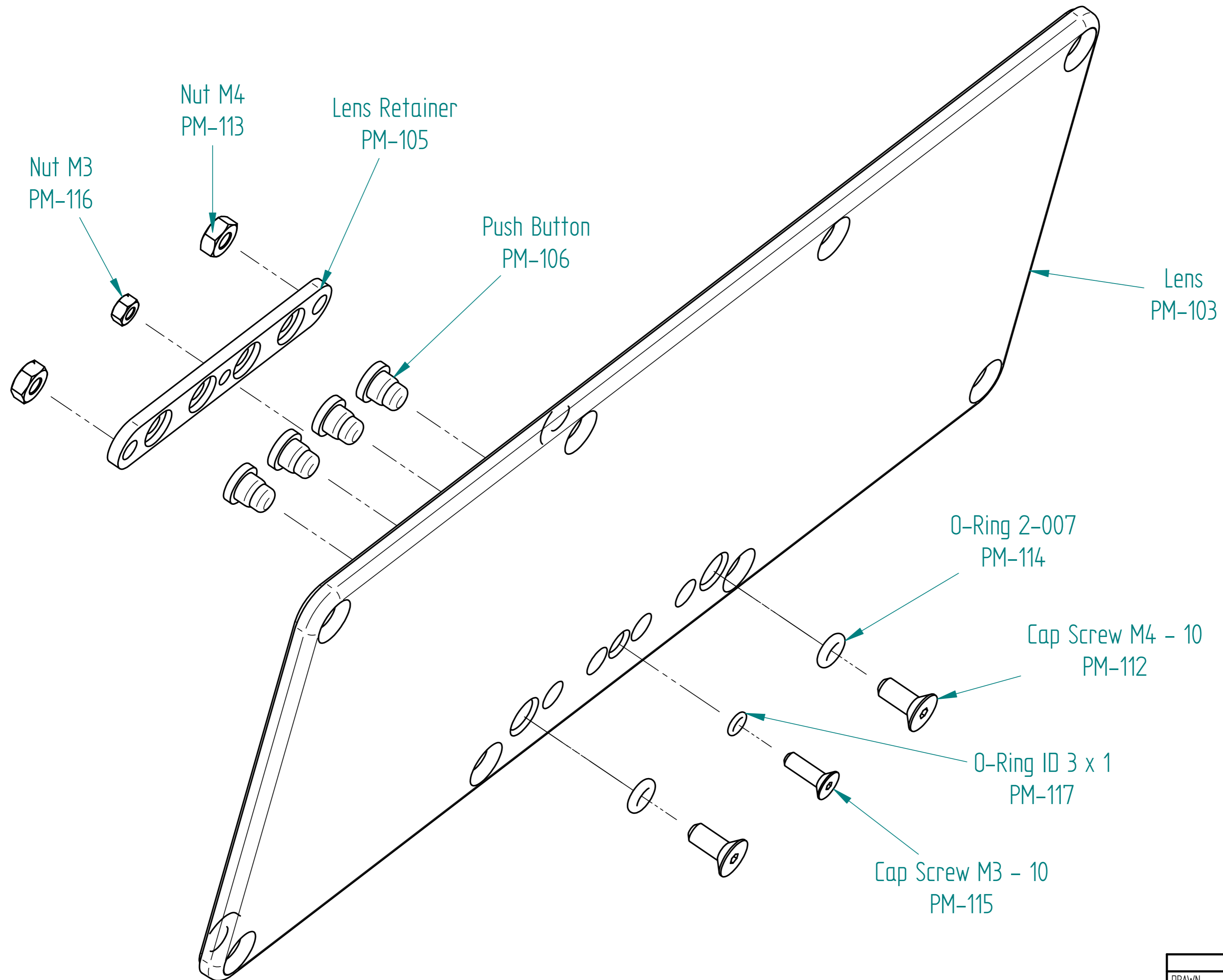
SHAFT SENSOR



SHAFT MAGNET HOLDER

	NAME	DATE	AGRIGEL	
DRAWN	Dan	06/01/10	TITLE	
APPROVED			Impeller Monitor	
MATERIAL			SIZE	DWG NO
TREATMENT			A4	
UNLESS OTHERWISE SPECIFIED DIMENSIONS ARE IN MILLIMETERS			FILE NAME: Impeller Monitor.dft	REV
1 st ANGLE ANGLES ±0.1°			SCALE:	WEIGHT:
2 PL ±0.02 3 PL ±0.005				SHEET 6 OF 7

REVISION HISTORY			
REV	DESCRIPTION	DATE	APPROVED



LENS ASSEMBLY

	NAME	DATE	AGRIGEL	
DRAWN	Dan	06/01/10		
APPROVED				
MATERIAL				
TREATMENT			TITLE	Impeller Monitor
UNLESS OTHERWISE SPECIFIED DIMENSIONS ARE IN MILLIMETERS			SIZE	DWG NO
1st ANGLE ANGLES ±0.1°			A4	
2 PL ±0.02 3 PL ±0.005			FILE NAME: Impeller Monitor.dft	REV
SCALE:	WEIGHT:	SHEET 7 OF 7		