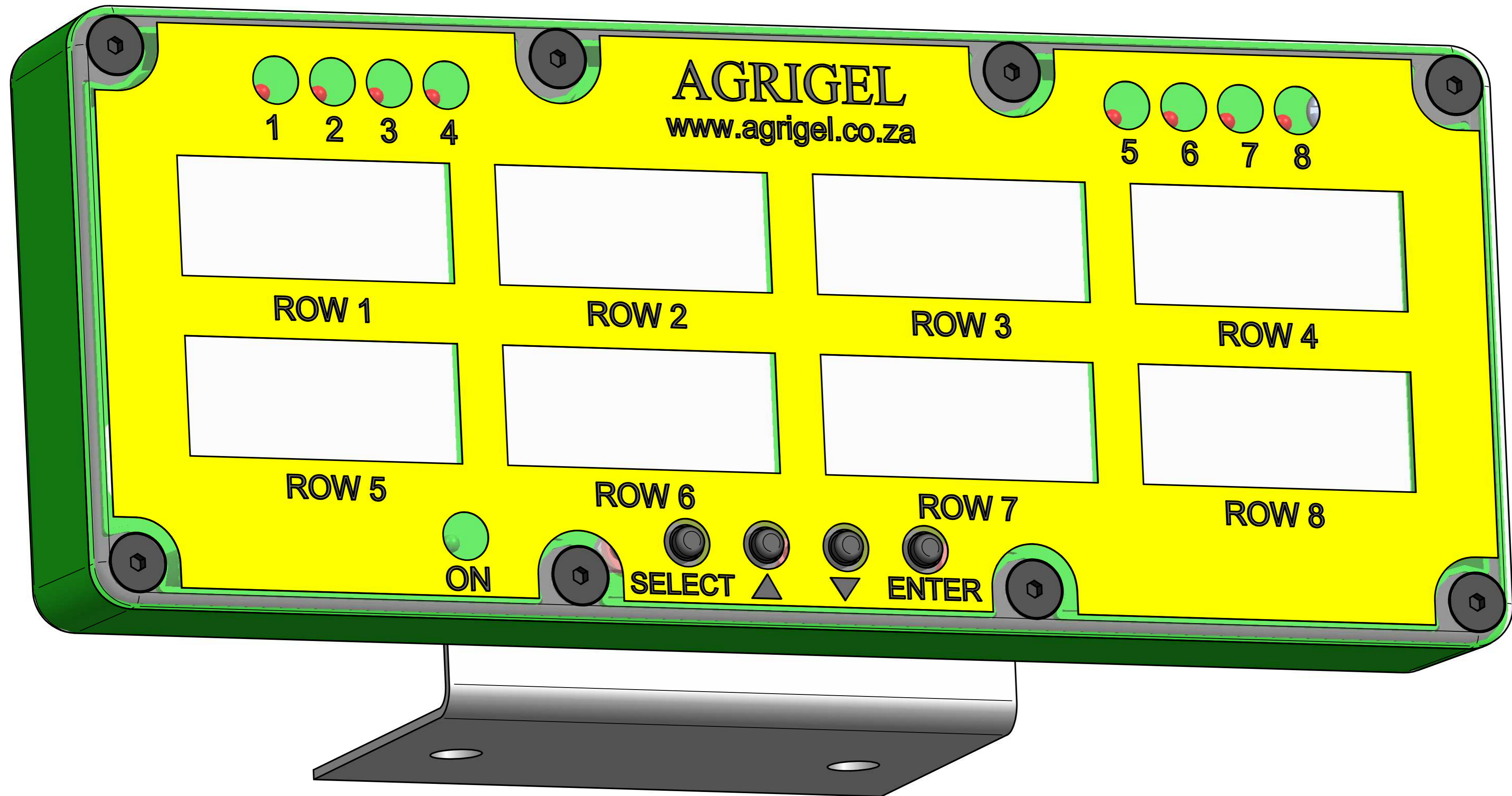


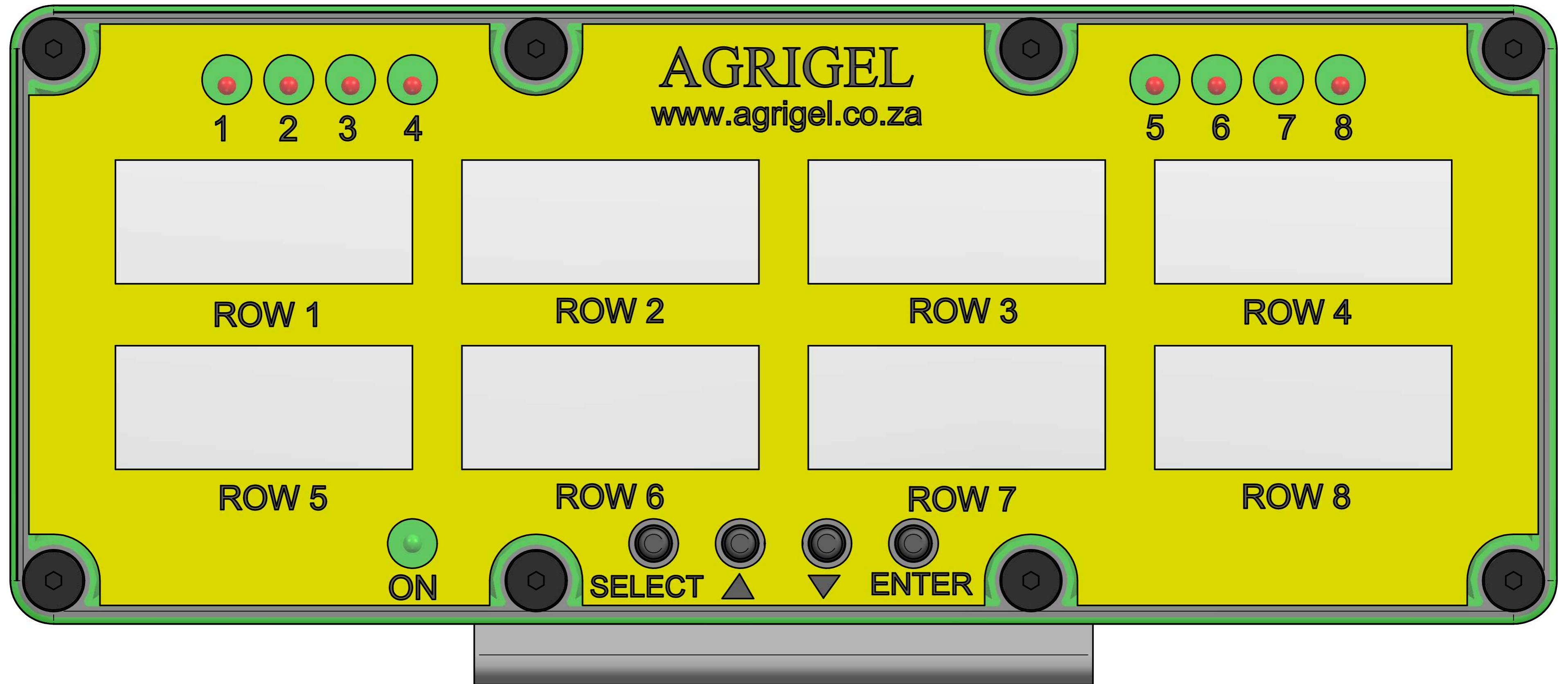
REVISION HISTORY			
REV	DESCRIPTION	DATE	APPROVED



# 8 ROW DISPLAY BOX

	NAME	DATE	<b>AGRIGEL</b>	
DRAWN	Dan	06/01/10	TITLE	
APPROVED			8 ROW LCD DISPLAY BOX	
MATERIAL			SIZE	DWG NO
TREATMENT			A4	
UNLESS OTHERWISE SPECIFIED DIMENSIONS ARE IN MILLIMETERS			FILE NAME: Box 8 Row.dft	REV
1st ANGLE ANGLES ±0.1°			SCALE:	WEIGHT:
2 PL ±0.02 3 PL ±0.005				SHEET 1 OF 18

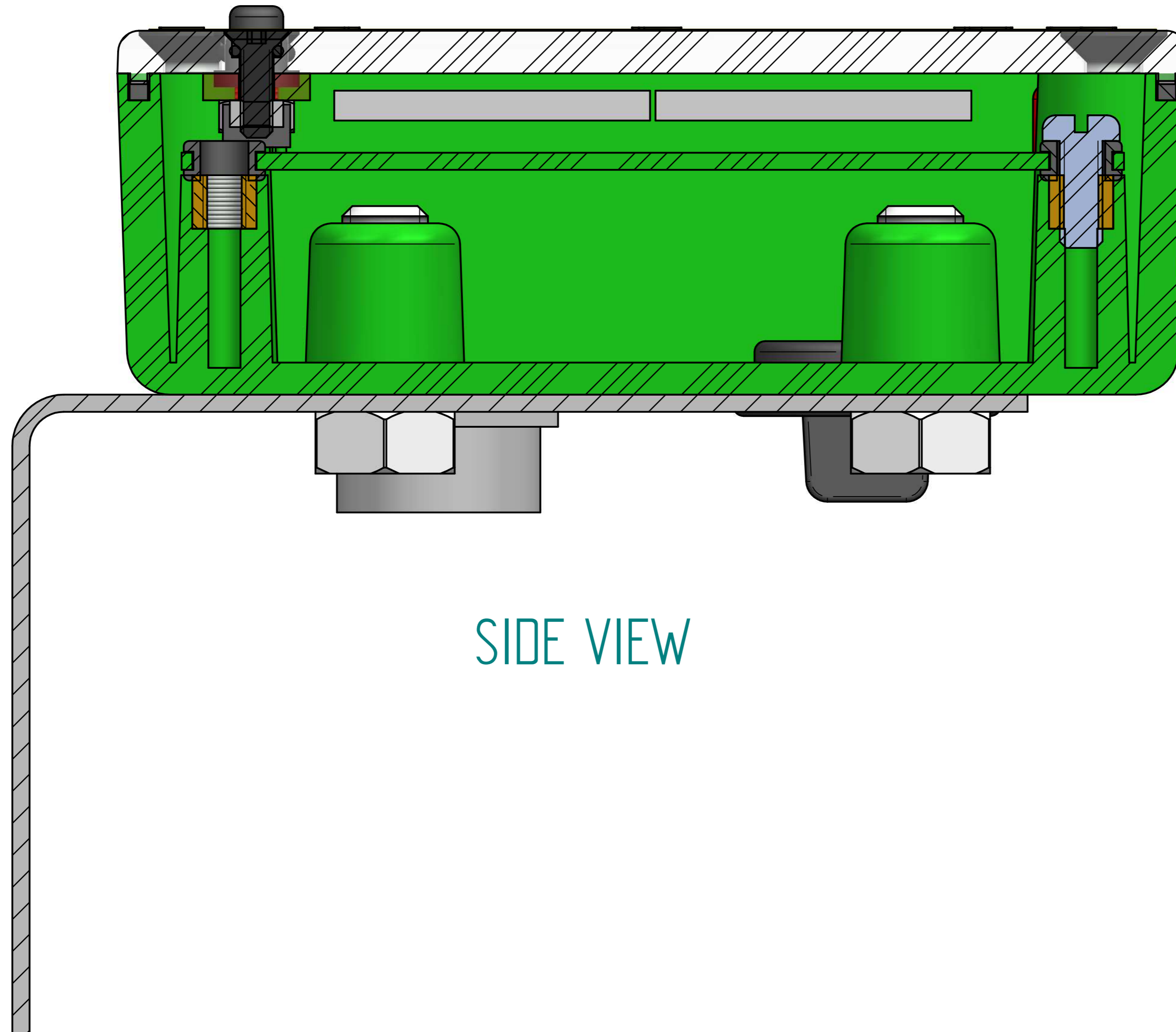
REVISION HISTORY			
REV	DESCRIPTION	DATE	APPROVED



FRONT VIEW

	NAME	DATE	<b>AGRIGEL</b>	
DRAWN	Dan	06/01/10	TITLE	
APPROVED			8 ROW LCD DISPLAY BOX	
MATERIAL			SIZE	DWG NO
TREATMENT			A4	
UNLESS OTHERWISE SPECIFIED DIMENSIONS ARE IN MILLIMETERS			FILE NAME: Box 8 Row.dft	REV
1st ANGLE ANGLES ±0.1°			SCALE:	WEIGHT:
2 PL ±0.02 3 PL ±0.005				SHEET 2 OF 18

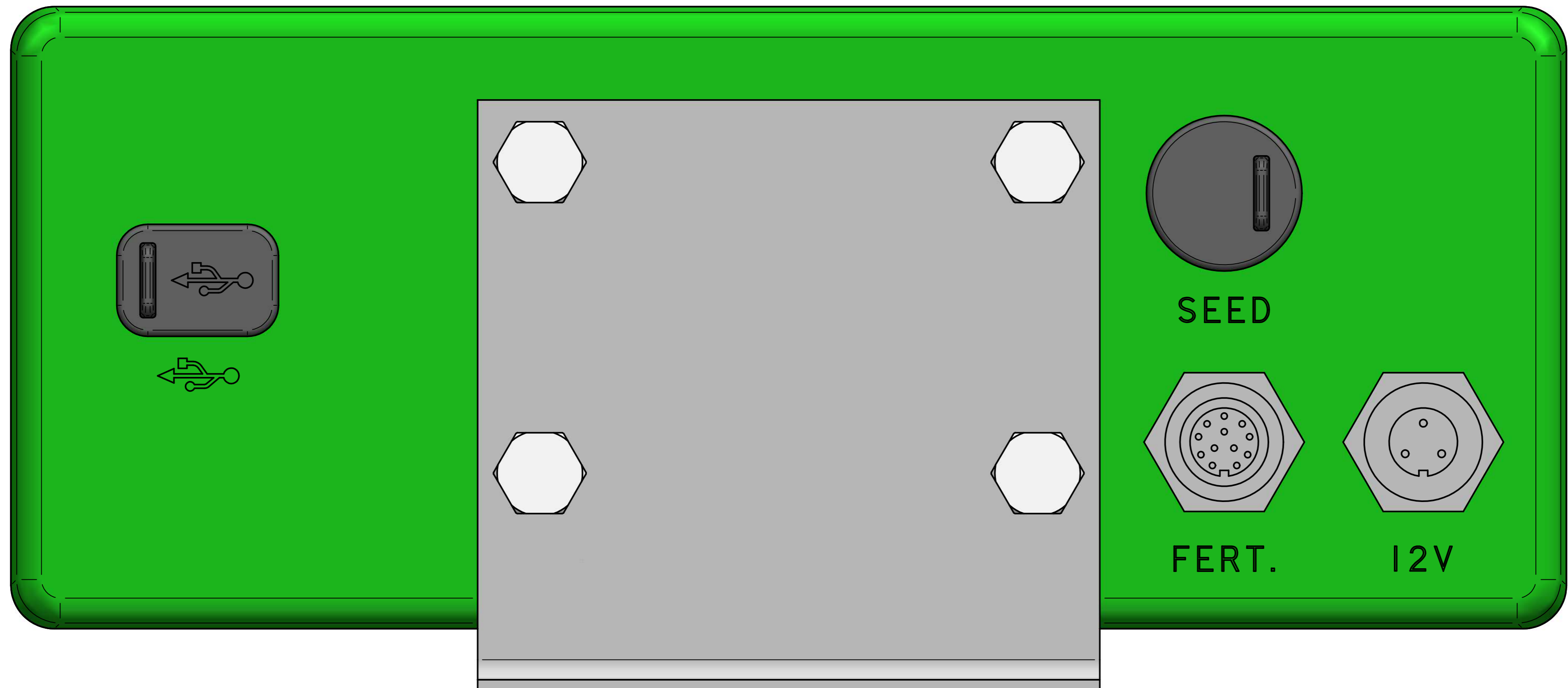
REVISION HISTORY			
REV	DESCRIPTION	DATE	APPROVED



SIDE VIEW

	NAME	DATE	<b>AGRIGEL</b>		
DRAWN	Dan	06/01/10			
APPROVED			TITLE 8 ROW LCD DISPLAY BOX		
MATERIAL					
TREATMENT			SIZE A4	DWG NO	REV
UNLESS OTHERWISE SPECIFIED DIMENSIONS ARE IN MILLIMETERS			FILE NAME: Box 8 Row.dft		
1 <sup>st</sup> ANGLE 2 PL ±0.02 3 PL ±0.005			SCALE:	WEIGHT:	SHEET 3 OF 18

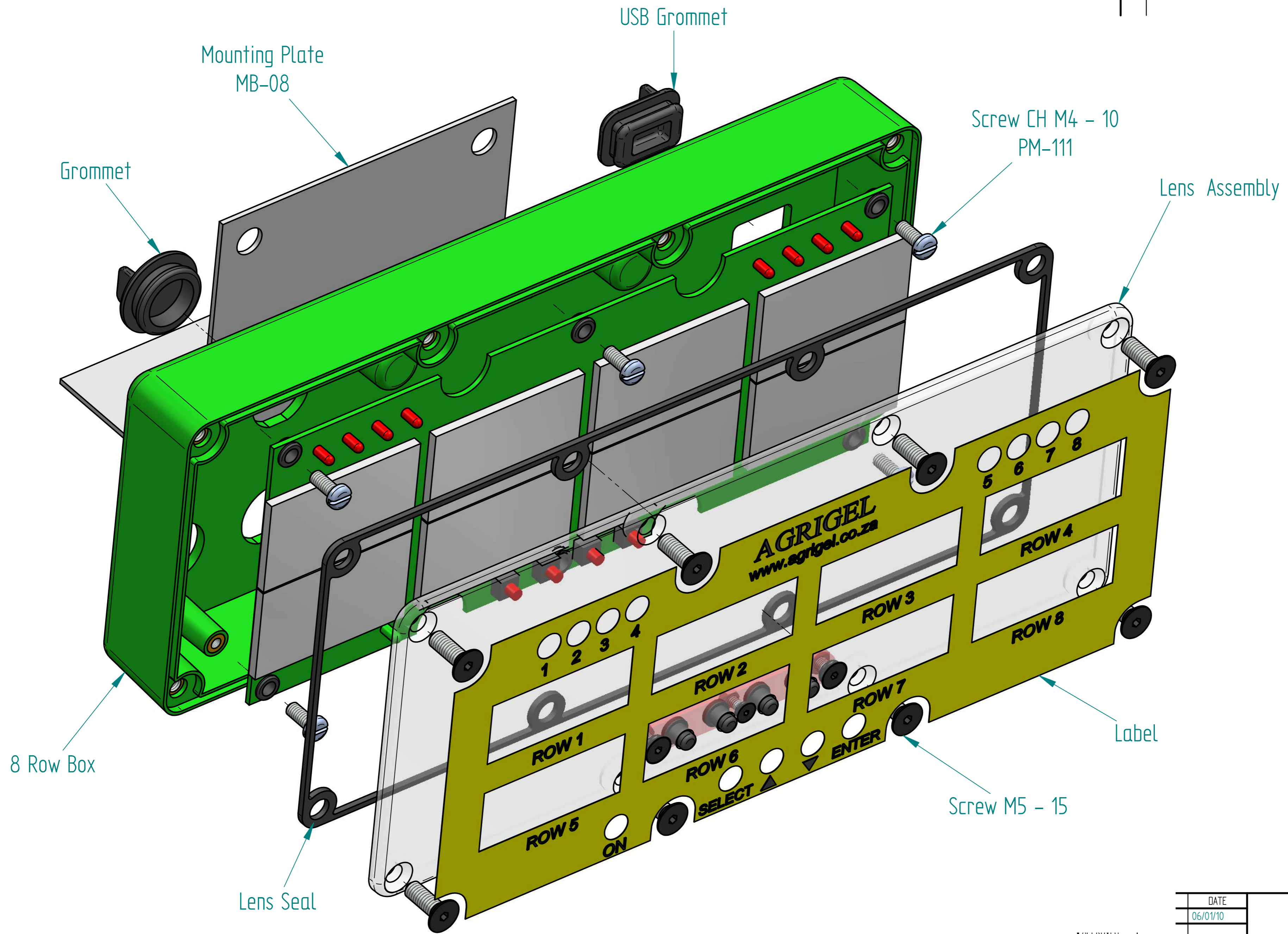
REVISION HISTORY			
REV	DESCRIPTION	DATE	APPROVED



BACK VIEW

	NAME	DATE	<b>AGRIGEL</b>	
DRAWN	Dan	06/01/10	TITLE	
APPROVED			8 ROW LCD DISPLAY BOX	
MATERIAL			SIZE	DWG NO
TREATMENT			A4	
UNLESS OTHERWISE SPECIFIED DIMENSIONS ARE IN MILLIMETERS			FILE NAME: Box 8 Row.dft	REV
1st ANGLE ANGLES ±0.1°			SCALE:	WEIGHT:
2 PL ±0.02 3 PL ±0.005				SHEET 4 OF 18

REVISION HISTORY			
REV	DESCRIPTION	DATE	APPROVED



# EXPLODED VIEW

DATE	06/01/10		
MATERIAL		TITLE	
TREATMENT		8 ROW LCD DISPLAY BOX	
UNLESS OTHERWISE SPECIFIED DIMENSIONS ARE IN MILLIMETERS		SIZE	DWG NO
1st ANGLE ANGLES ±0.1°		A4	
2 PL ±0.02 3 PL ±0.005		FILE NAME: Box 8 Row.dft	
SCALE:	WEIGHT:	SHEET 5 OF 18	

**AGRIGEL**

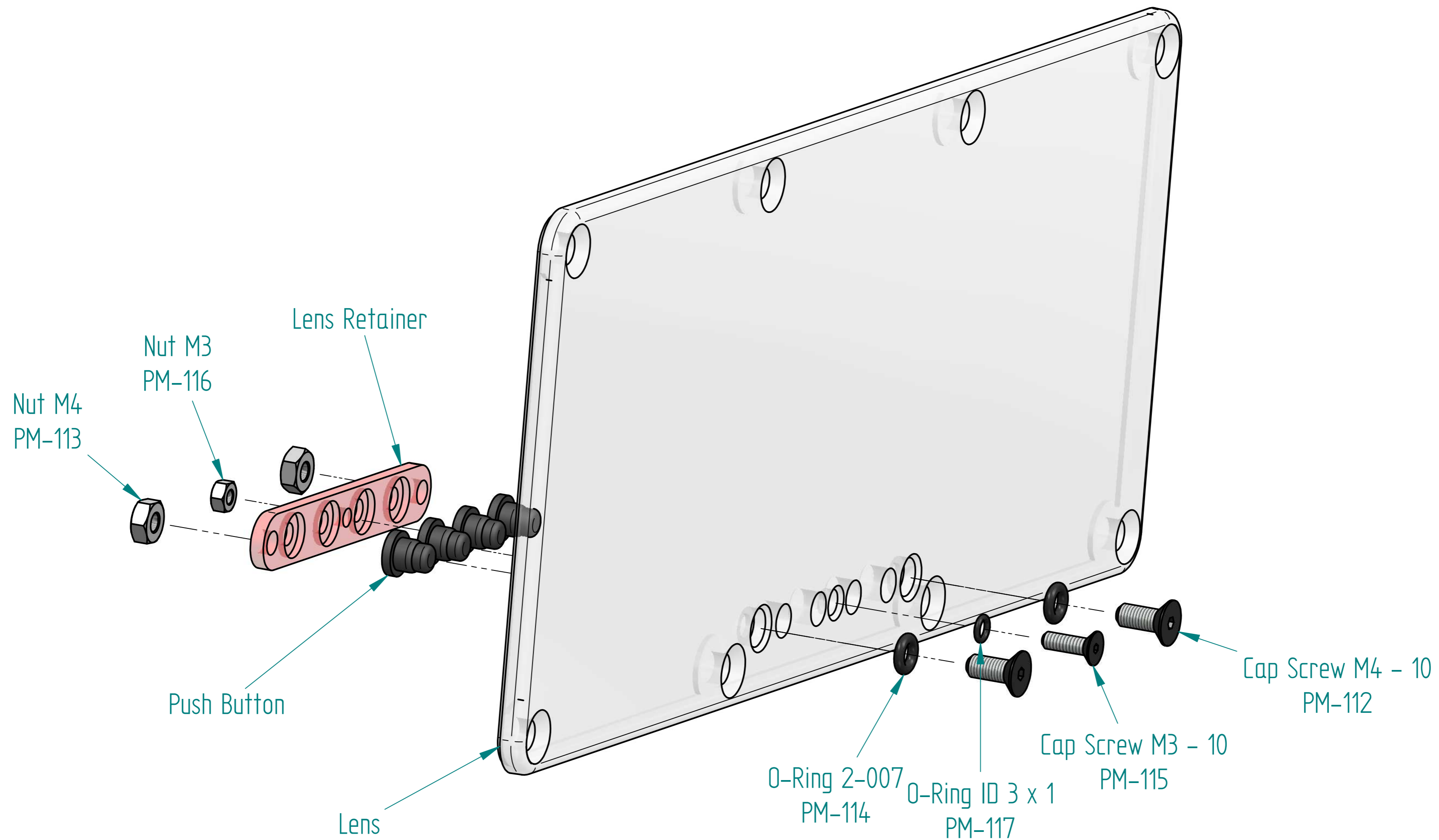
8 ROW LCD DISPLAY BOX

SIZE A4 DWG NO

FILE NAME: Box 8 Row.dft

SCALE: WEIGHT: SHEET 5 OF 18

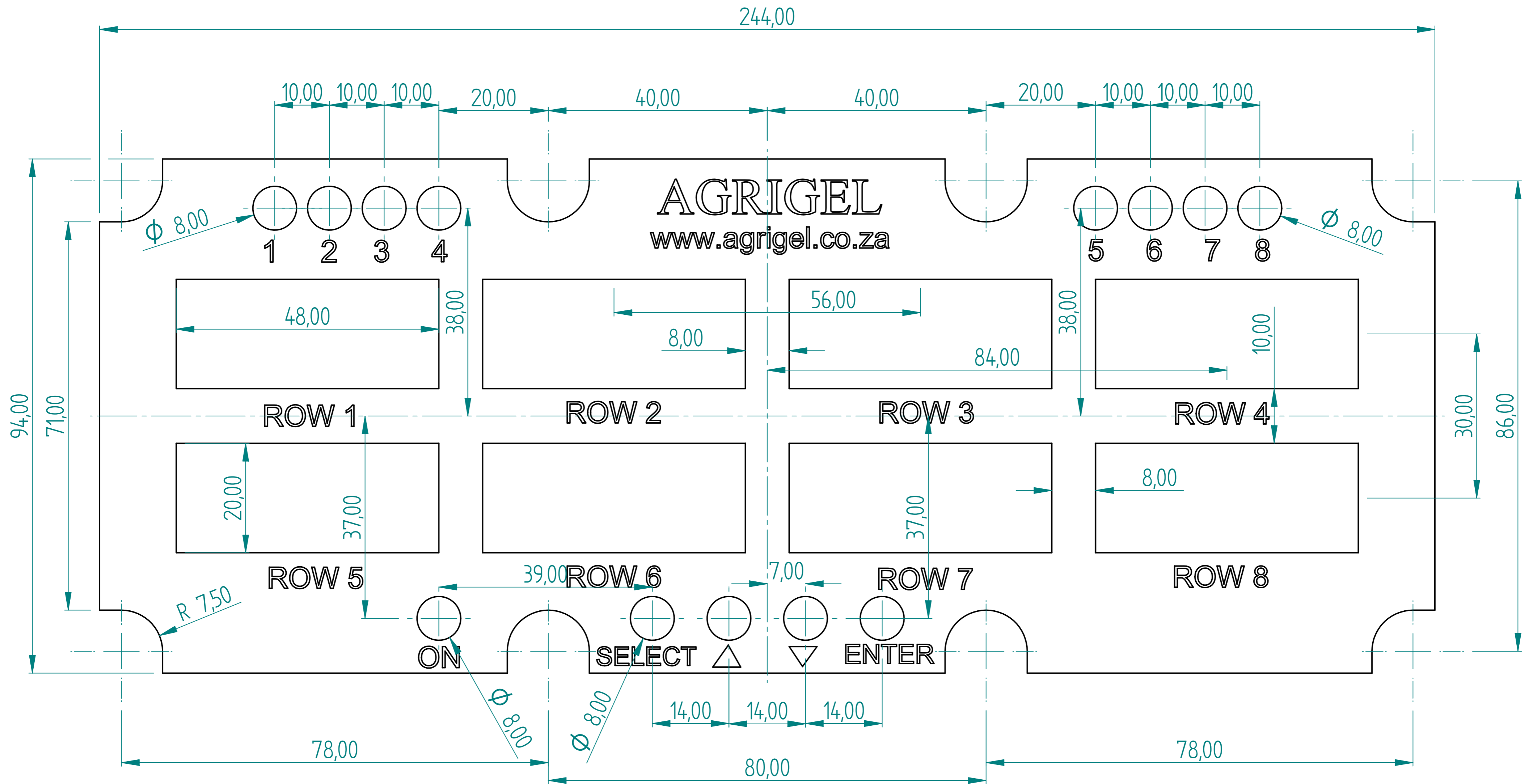
REVISION HISTORY			
REV	DESCRIPTION	DATE	APPROVED



## LENS ASSEMBLY

	NAME	DATE	<b>AGRIGEL</b>		
DRAWN	Dan	06/01/10			
APPROVED			TITLE 8 ROW LCD DISPLAY BOX		
MATERIAL					
TREATMENT			SIZE A4	DWG NO	REV
UNLESS OTHERWISE SPECIFIED DIMENSIONS ARE IN MILLIMETERS			FILE NAME: Box 8 Row.dft		
1st ANGLE 2 PL ±0.02 3 PL ±0.005			SCALE:	WEIGHT:	SHEET 6 OF 18

REVISION HISTORY			
REV	DESCRIPTION	DATE	APPROVED



LABEL

	NAME	DATE	<b>AGRIGEL</b>		
DRAWN	Dan	06/01/10			
APPROVED			TITLE 8 ROW LCD DISPLAY BOX		
MATERIAL					
TREATMENT			SIZE A4	DWG NO	REV
UNLESS OTHERWISE SPECIFIED DIMENSIONS ARE IN MILLIMETERS			FILE NAME: Box 8 Row.dft		
1 <sup>st</sup> ANGLE ANGLES $\pm 0,1^\circ$			SCALE:	WEIGHT:	SHEET 7 OF 18
2 PL $\pm 0,02$ 3 PL $\pm 0,005$					

REVISION HISTORY			
REV	DESCRIPTION	DATE	APPROVED

244,00

94,00

1 2 3 4

**AGRIGEL**  
www.agrigel.co.za

5 6 7 8



ROW 1



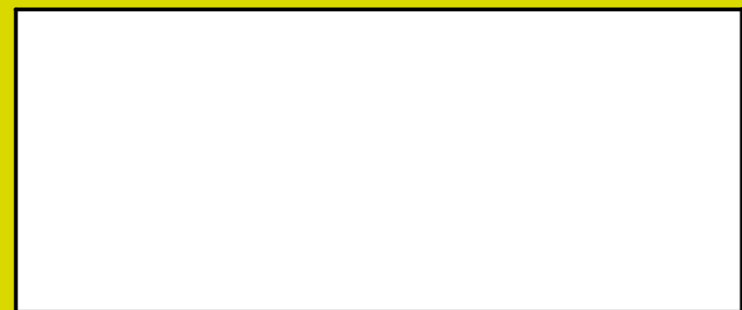
ROW 2



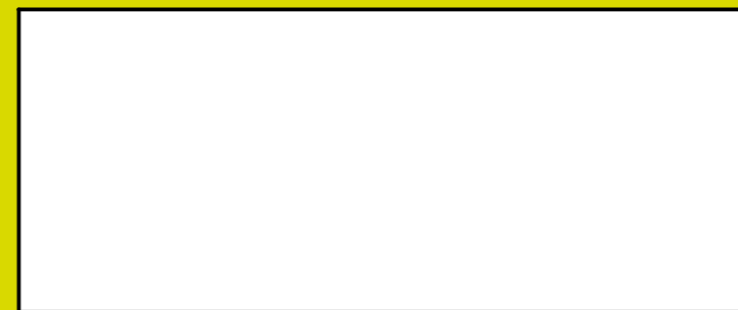
ROW 3



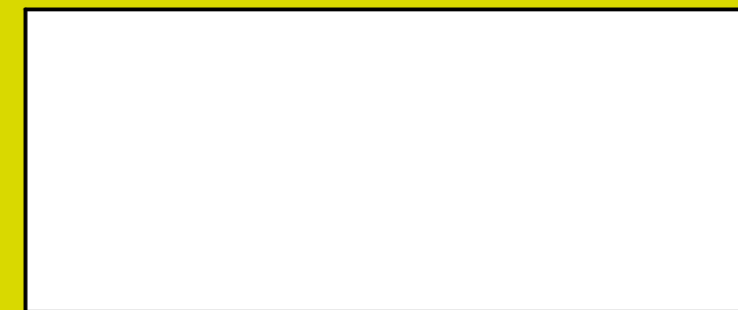
ROW 4



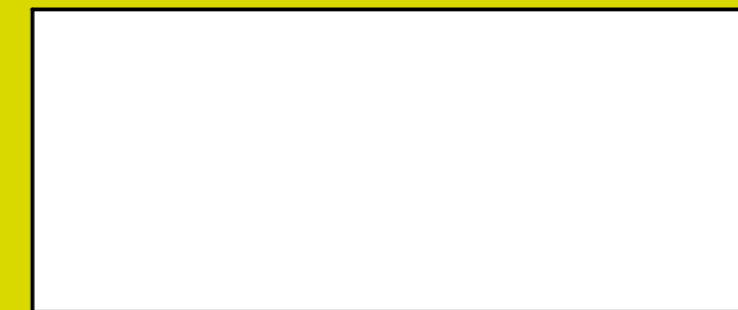
ROW 5



ROW 6



ROW 7



ROW 8

ON

SELECT

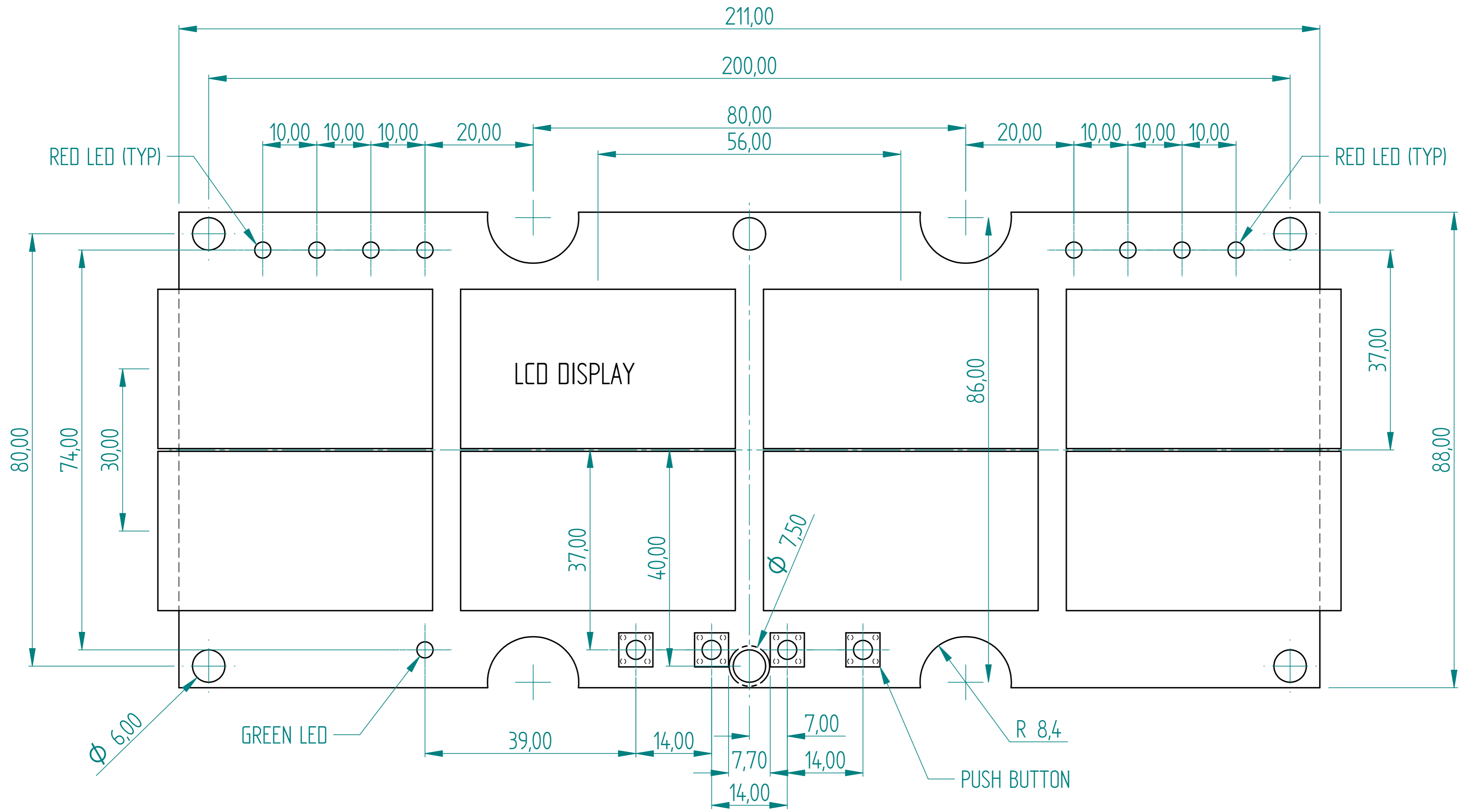


ENTER

LABEL

	NAME	DATE	<b>AGRIGEL</b>	
DRAWN	Dan	06/01/10	TITLE	
APPROVED			8 ROW LCD DISPLAY BOX	
MATERIAL			SIZE	DWG NO
TREATMENT			A4	
UNLESS OTHERWISE SPECIFIED DIMENSIONS ARE IN MILLIMETERS			FILE NAME: Box 8 Row.dft	REV
1st ANGLE 2 PL ±0.02 3 PL ±0.005			SCALE:	WEIGHT:
				SHEET 8 OF 18

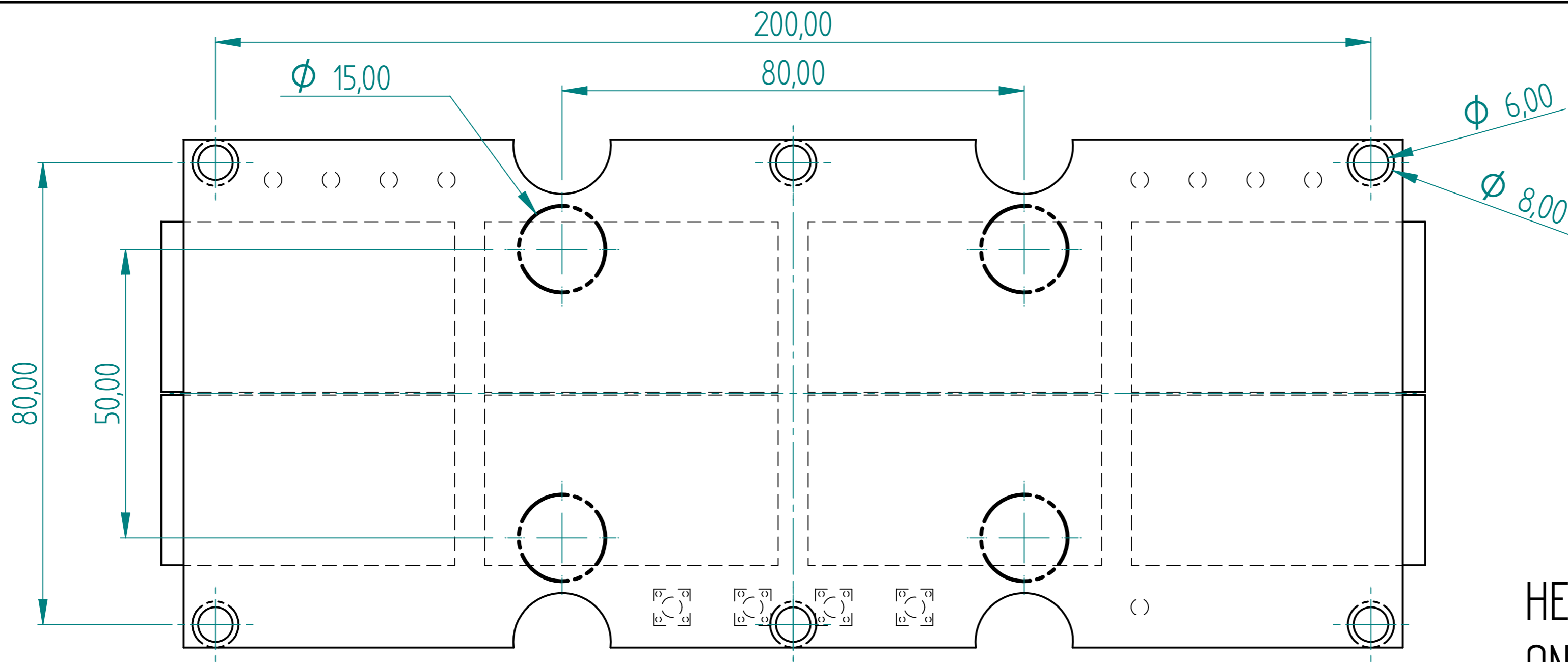
REVISION HISTORY			
REV	DESCRIPTION	DATE	APPROVED



P C B

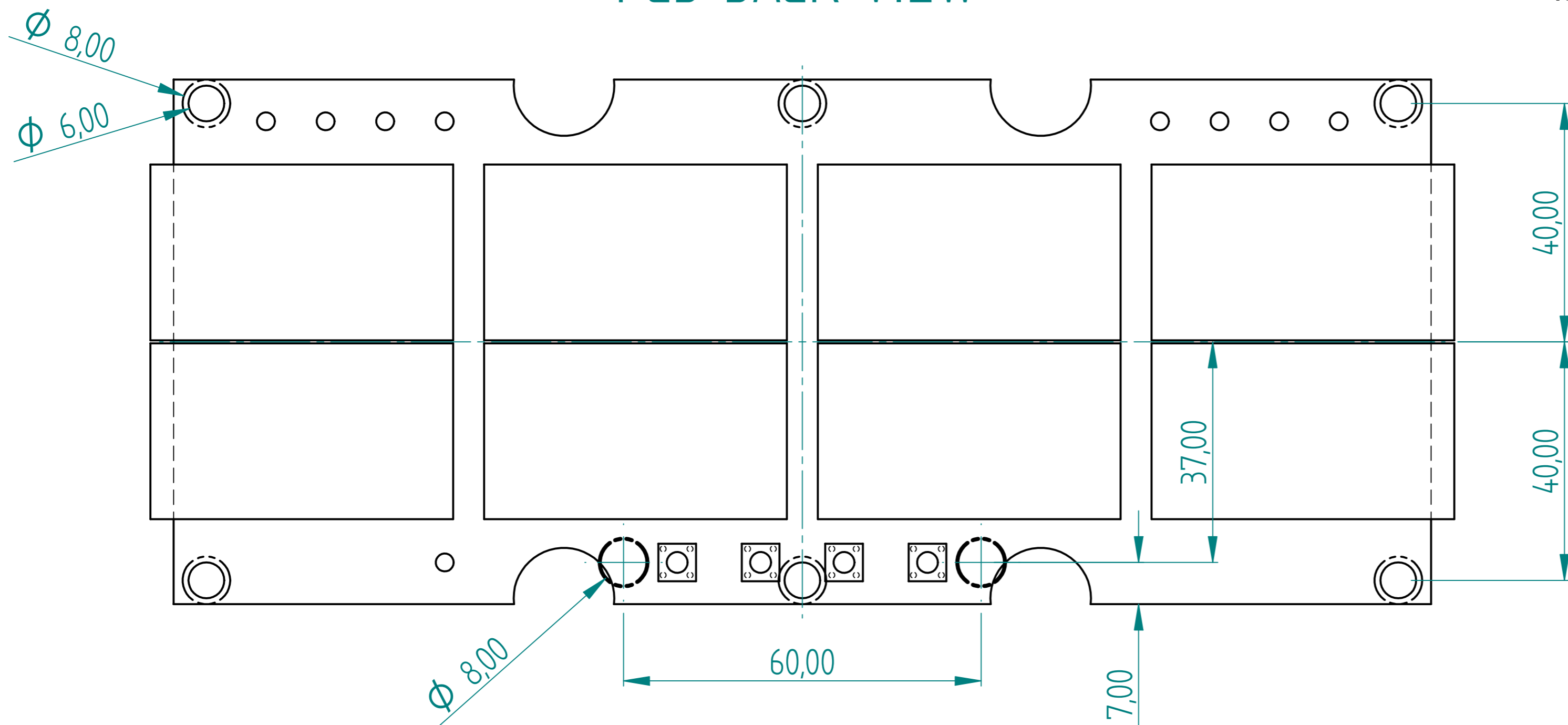
DRAWN	NAME	DATE	<b>AGRIGEL</b>	
APPROVED	Dan	06/01/10		
MATERIAL			TITLE	
TREATMENT			8 ROW LCD DISPLAY BOX	
UNLESS OTHERWISE SPECIFIED DIMENSIONS ARE IN MILLIMETERS			SIZE	DWG NO
1st ANGLE ANGLES ±0,1°			A4	REV
2 PL ±0,02 3 PL ±0,005			FILE NAME: Box 8 Row.dft	
SCALE:		WEIGHT:	SHEET 9 OF 18	

REVISION HISTORY			
REV	DESCRIPTION	DATE	APPROVED



PCB BACK VIEW

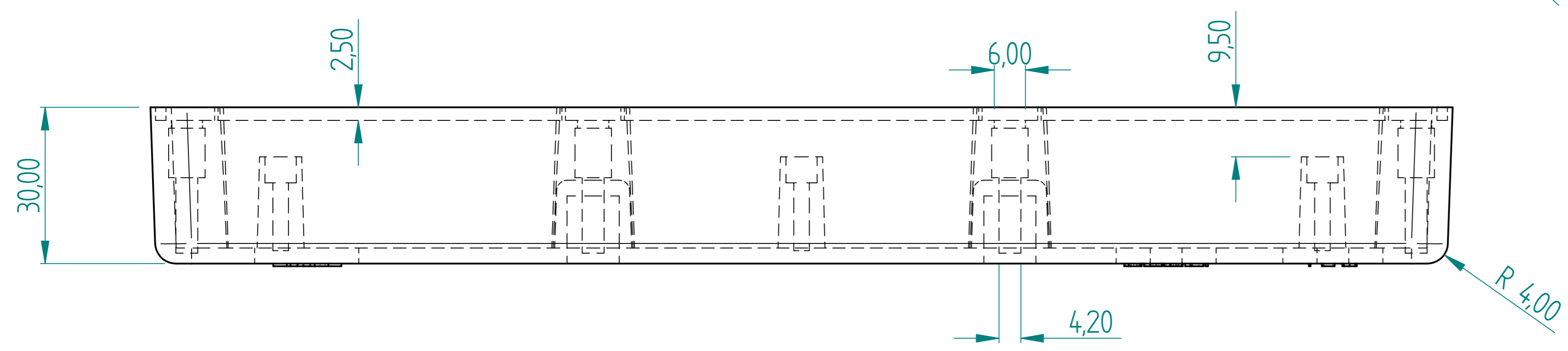
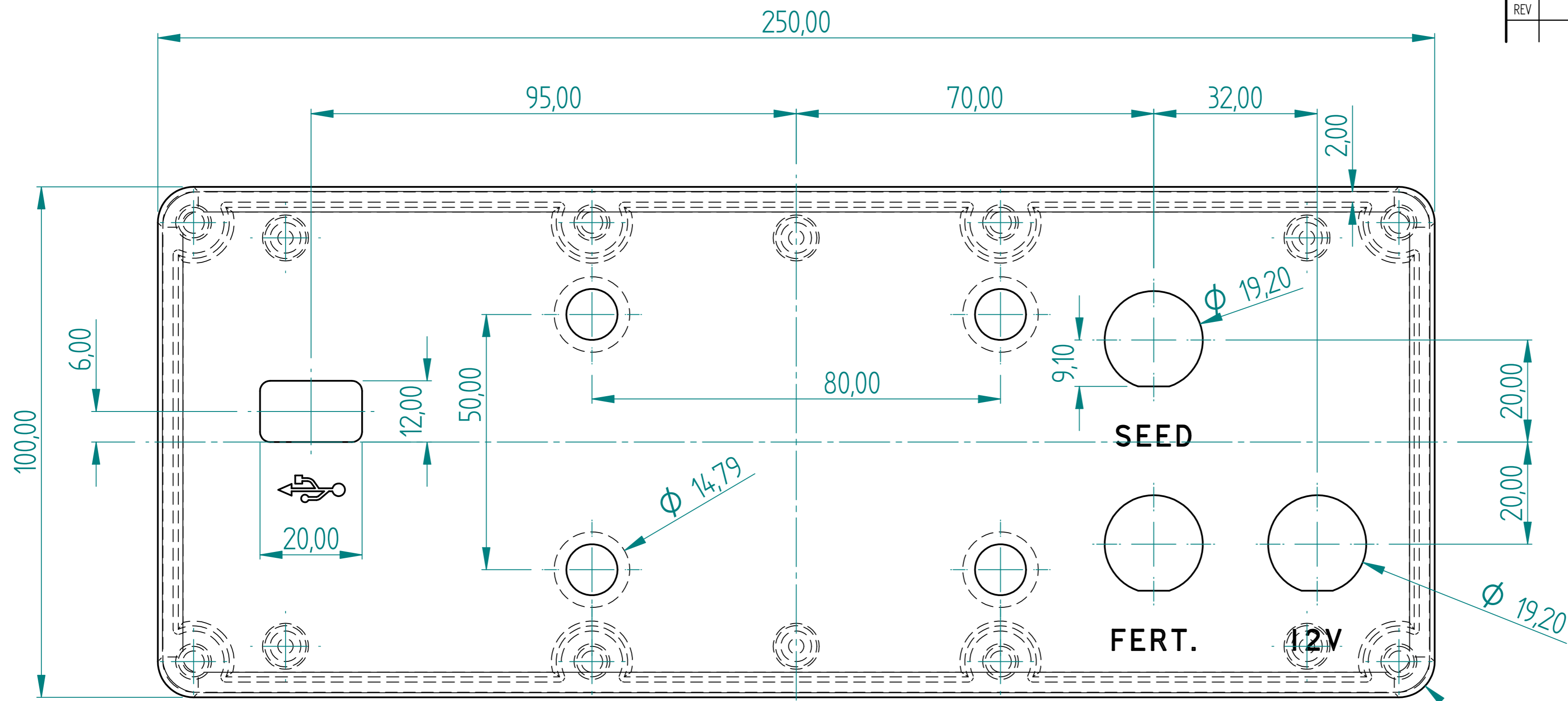
HEIGHT RESTRICTED AREAS ON THE PCB, AS INDICATED IN THE RELEVANT VIEWS.



PCB FRONT VIEW

DRAWN	NAME	DATE	<b>AGRIGEL</b>	
APPROVED	Dan	06/01/10	TITLE	
MATERIAL			8 ROW LCD DISPLAY BOX	
TREATMENT			SIZE	DWG NO
UNLESS OTHERWISE SPECIFIED DIMENSIONS ARE IN MILLIMETERS			A4	REV
1st ANGLE			FILE NAME: Box 8 Row.dft	
2 PL ±0.02 3 PL ±0.005			SCALE:	WEIGHT:
			SHEET 10 OF 18	

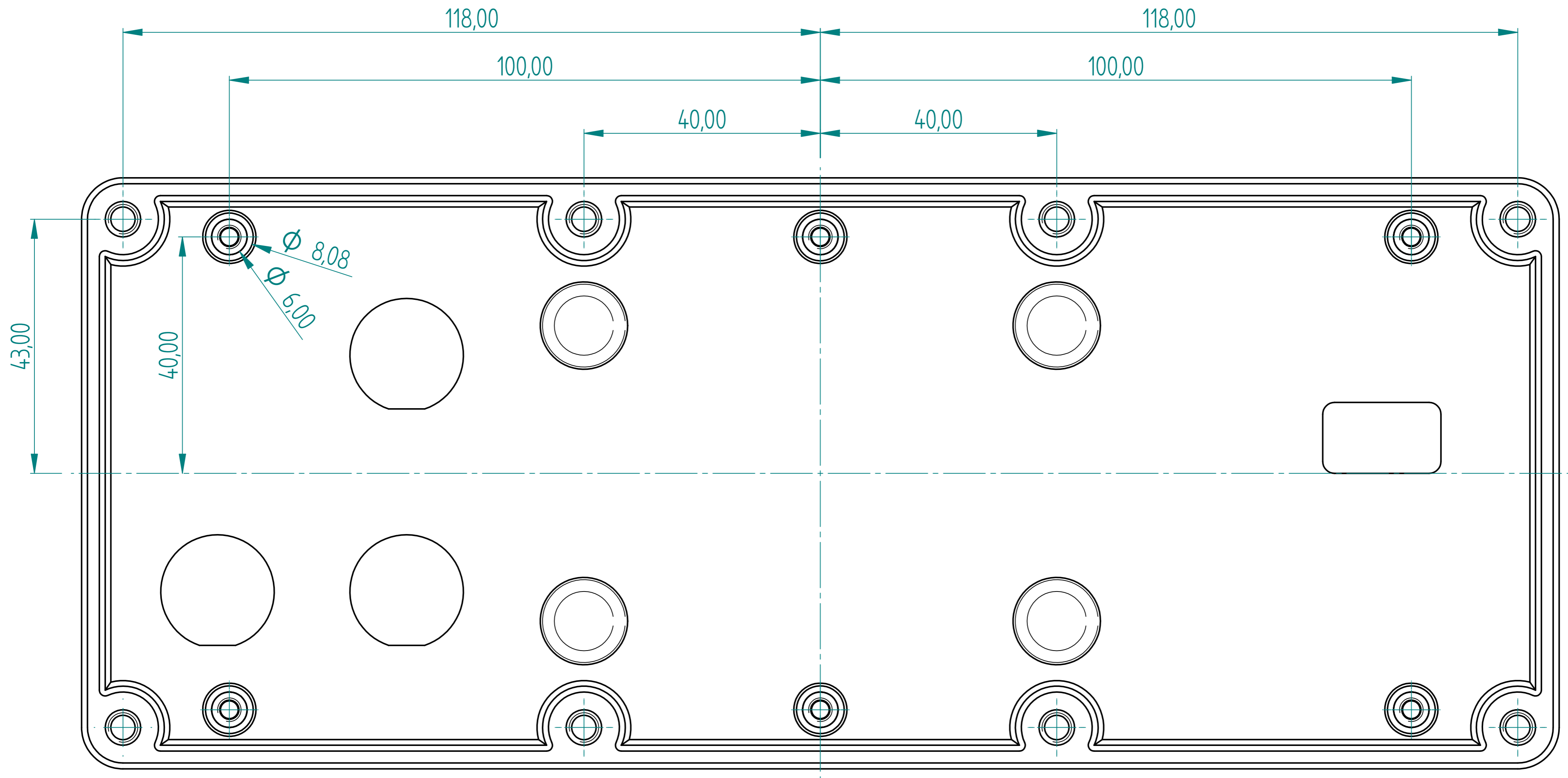
REVISION HISTORY			
REV	DESCRIPTION	DATE	APPROVED



# BOX HOUSING

DRAWN	NAME	DATE	<b>AGRIGEL</b>	
APPROVED	Dan	06/01/10	TITLE	
MATERIAL			8 ROW LCD DISPLAY BOX	
TREATMENT			SIZE	DWG NO
UNLESS OTHERWISE SPECIFIED DIMENSIONS ARE IN MILLIMETERS			A4	REV
1st ANGLE ANGLES $\pm 0,1^\circ$			FILE NAME: Box 8 Row.dft	
2 PL $\pm 0,02$ 3 PL $\pm 0,005$			SCALE:	WEIGHT:
			SHEET 11 OF 18	

REVISION HISTORY			
REV	DESCRIPTION	DATE	APPROVED

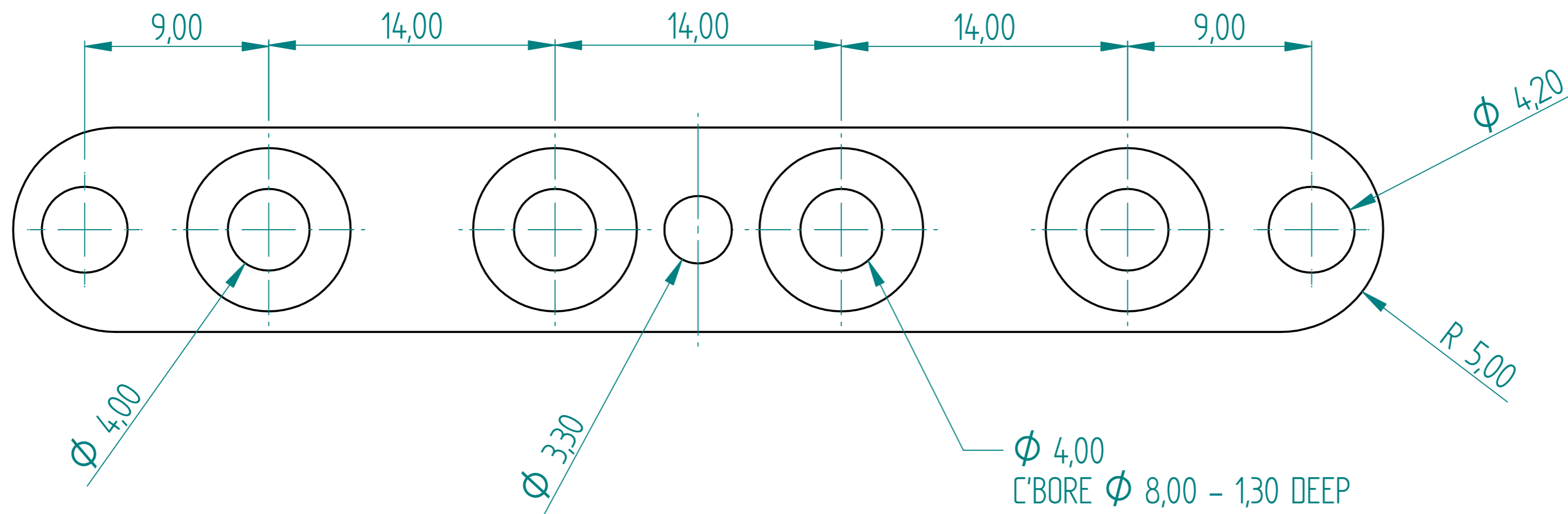
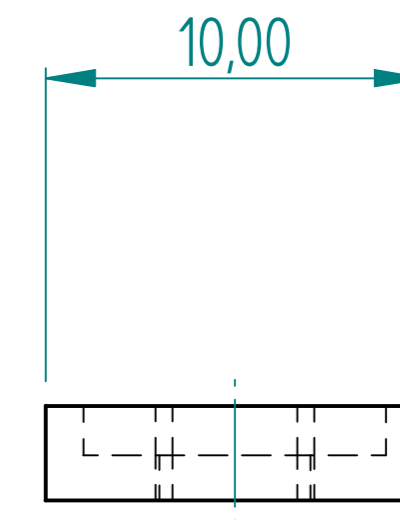
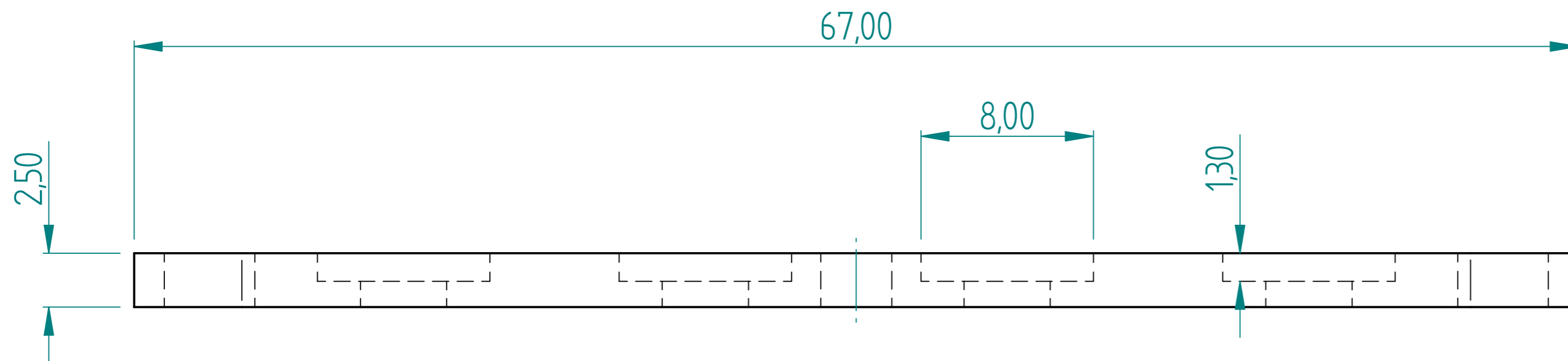


## BOX HOUSING

	NAME	DATE	<b>AGRIGEL</b>	
DRAWN	Dan	06/01/10	TITLE	
APPROVED			8 ROW LCD DISPLAY BOX	
MATERIAL			SIZE	DWG NO
TREATMENT			A4	
UNLESS OTHERWISE SPECIFIED DIMENSIONS ARE IN MILLIMETERS			FILE NAME: Box 8 Row.dft	REV
1 <sup>st</sup> ANGLE ANGLES $\pm 0,1^\circ$			SCALE:	WEIGHT:
2 PL $\pm 0,02$ 3 PL $\pm 0,005$				SHEET 12 OF 18



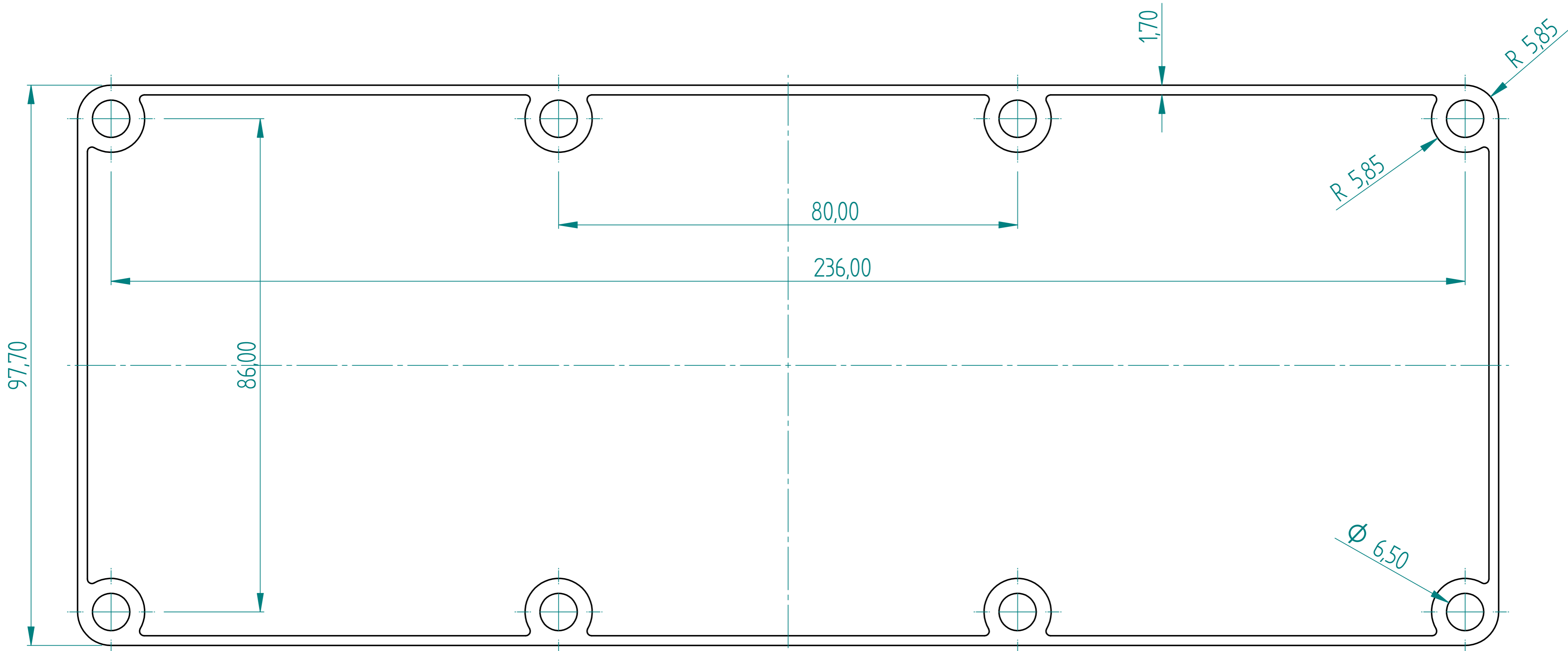
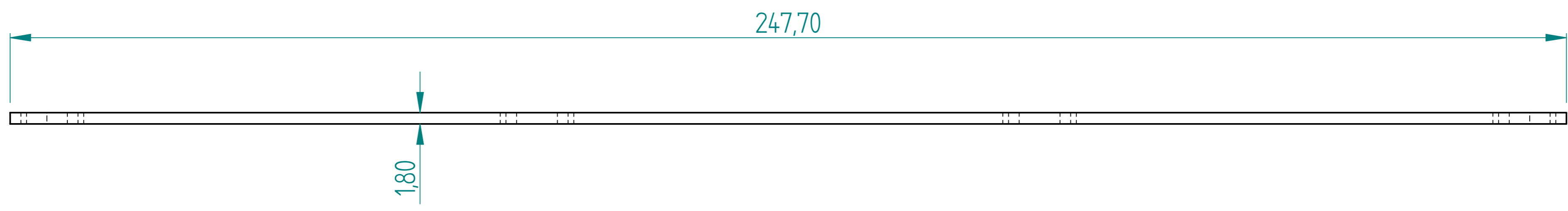
REVISION HISTORY			
REV	DESCRIPTION	DATE	APPROVED



# LENS INSERT

	NAME	DATE	<b>AGRIGEL</b>	
DRAWN	Dan	06/01/10		
APPROVED				
MATERIAL				
TREATMENT			TITLE	8 ROW LCD DISPLAY BOX
UNLESS OTHERWISE SPECIFIED DIMENSIONS ARE IN MILLIMETERS			SIZE	DWG NO
1 <sup>st</sup> ANGLE ANGLES $\pm 0,1^\circ$			A4	
2 PL $\pm 0,02$ 3 PL $\pm 0,005$			FILE NAME: Box 8 Row.dft	REV
			SCALE:	WEIGHT: SHEET 14 OF 18

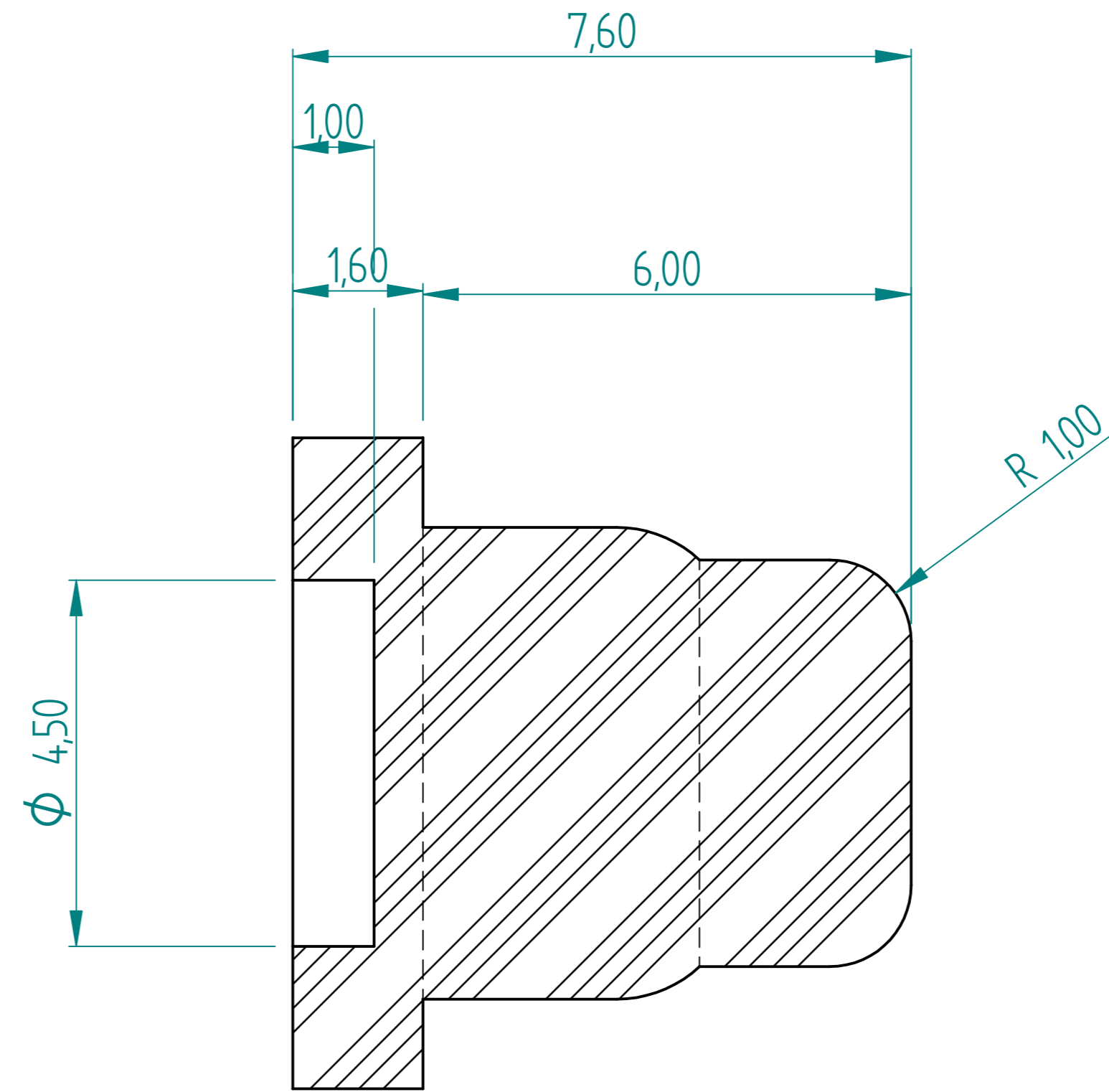
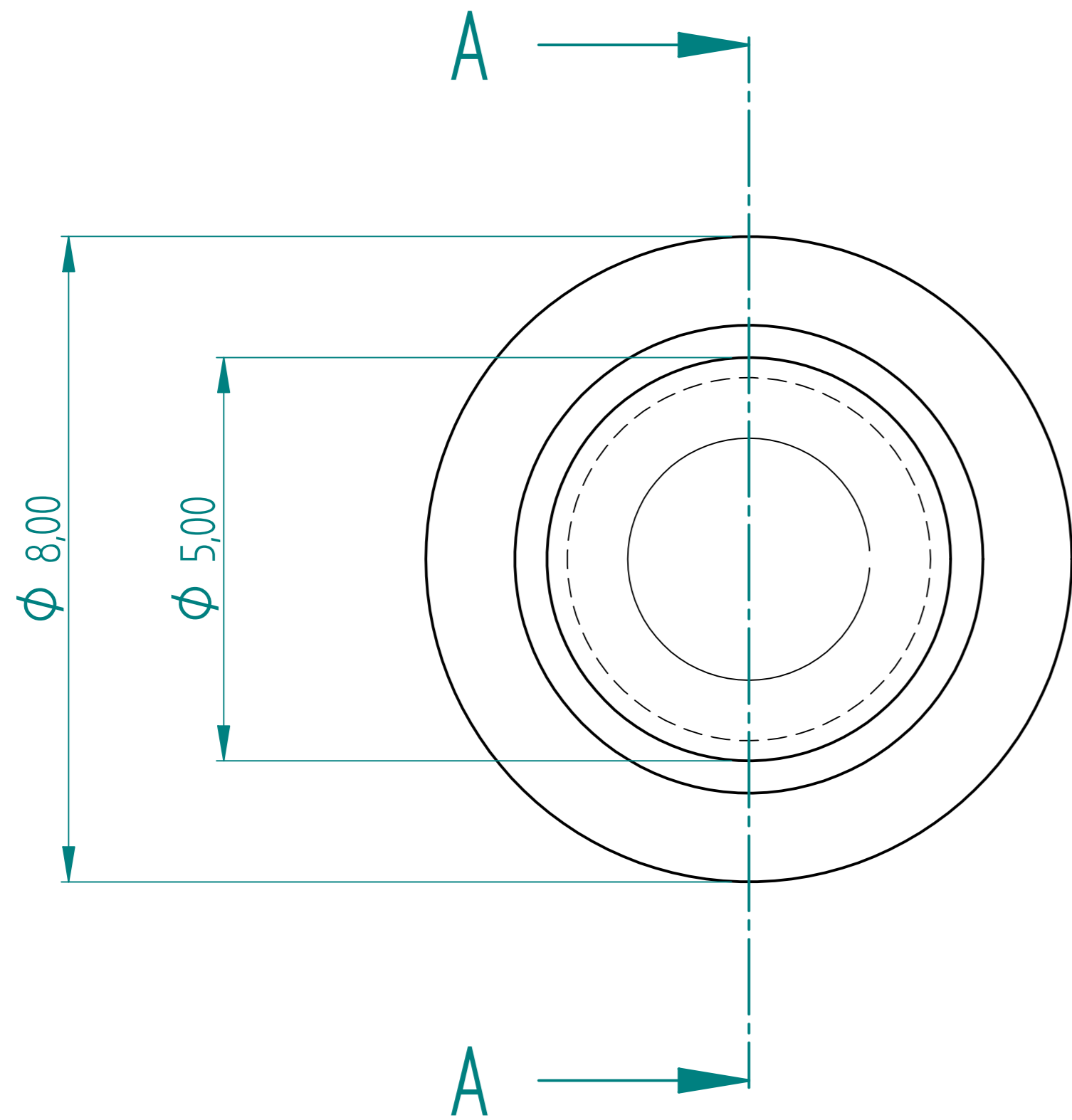
REVISION HISTORY			
REV	DESCRIPTION	DATE	APPROVED



# LENS SEAL

DRAWN	NAME	DATE	<b>AGRIGEL</b>	
APPROVED	Dan	06/01/10	TITLE	
MATERIAL			8 ROW LCD DISPLAY BOX	
TREATMENT			SIZE	DWG NO
UNLESS OTHERWISE SPECIFIED DIMENSIONS ARE IN MILLIMETERS			A4	REV
1st ANGLE			FILE NAME: Box 8 Row.dft	
2 PL ±0.02 3 PL ±0.005			SCALE:	WEIGHT:
			SHEET 15 OF 18	

REVISION HISTORY			
REV	DESCRIPTION	DATE	APPROVED

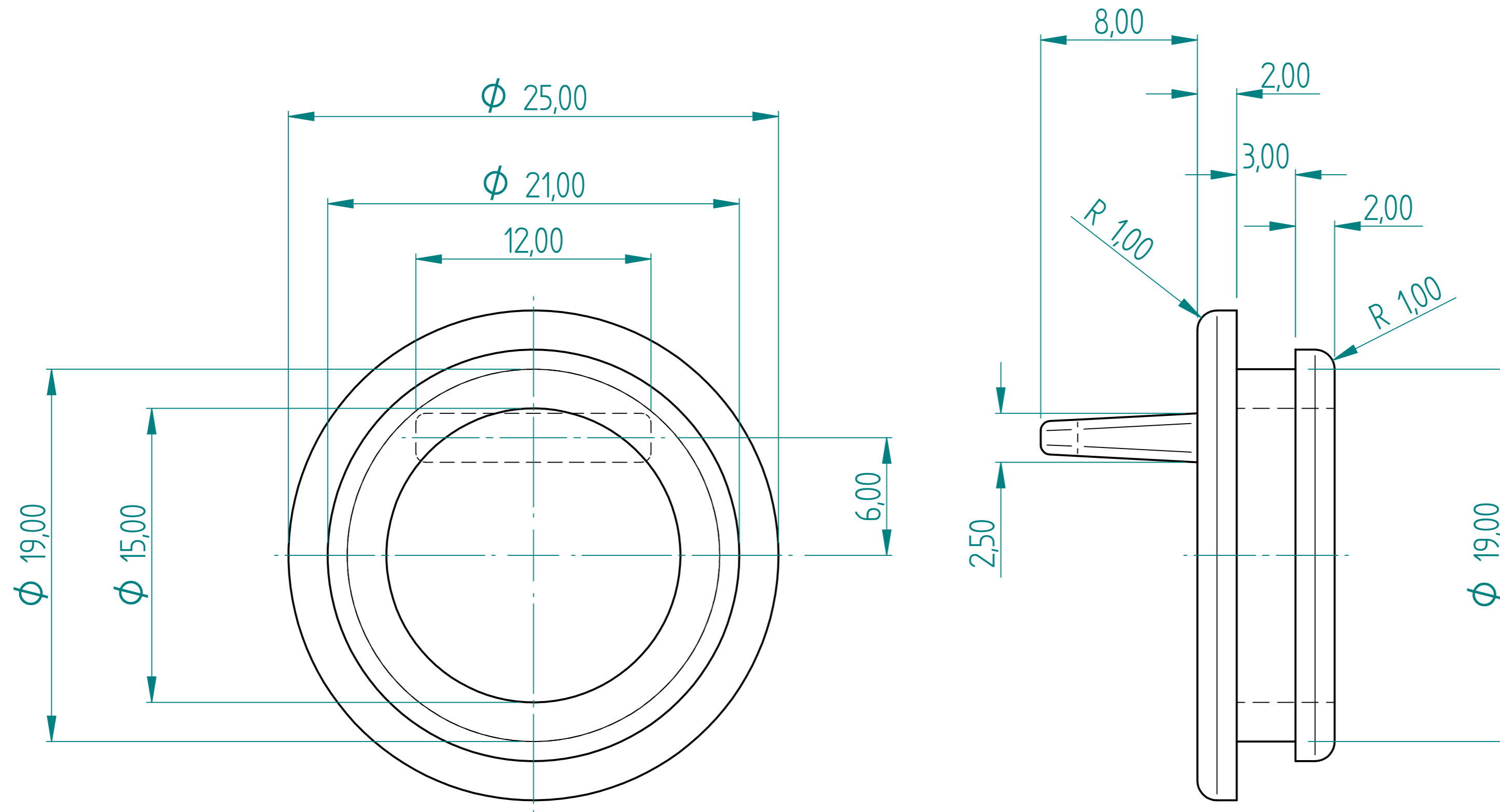


SECTION A-A

LENS INSERT SEAL

	NAME	DATE	<b>AGRIGEL</b>		
DRAWN	Dan	06/01/10			
APPROVED			TITLE 8 ROW LCD DISPLAY BOX		
MATERIAL					
TREATMENT			SIZE A4	DWG NO	REV
UNLESS OTHERWISE SPECIFIED DIMENSIONS ARE IN MILLIMETERS			FILE NAME: Box 8 Row.dft		
1 <sup>st</sup> ANGLE 2 PL $\pm 0,02$ 3 PL $\pm 0,005$			SCALE:	WEIGHT:	SHEET 16 OF 18

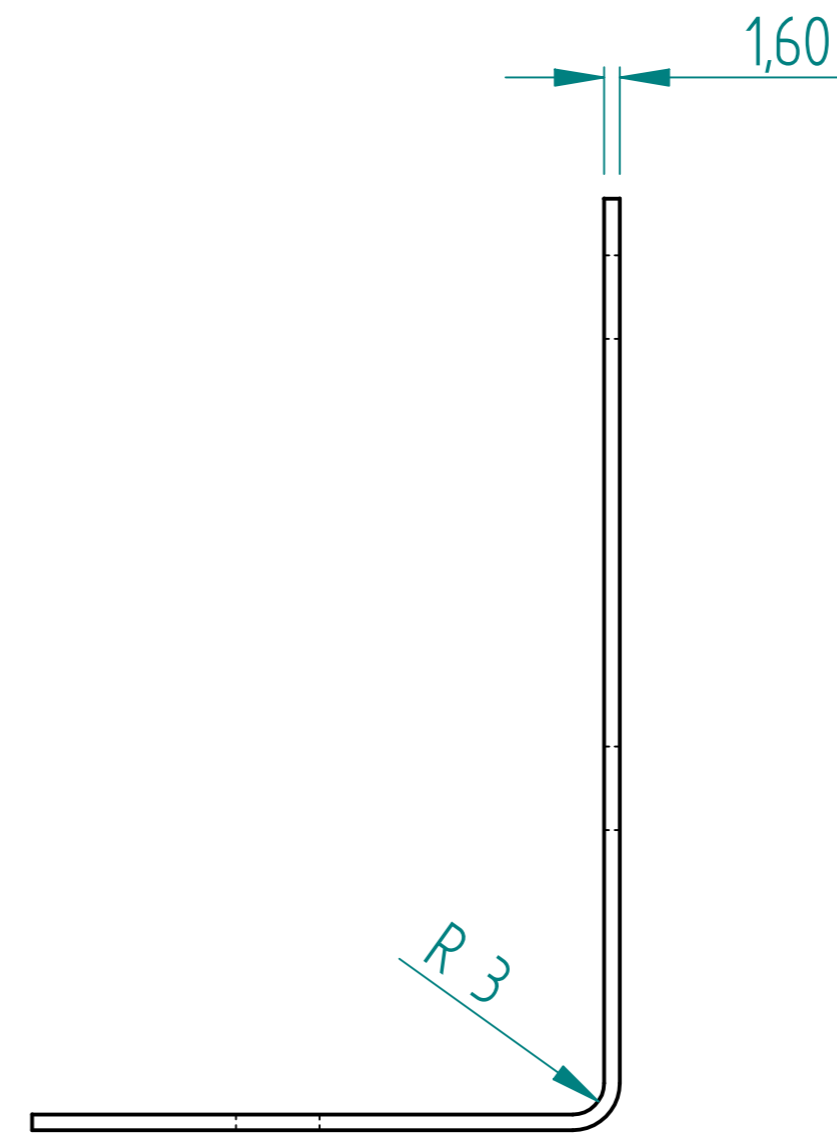
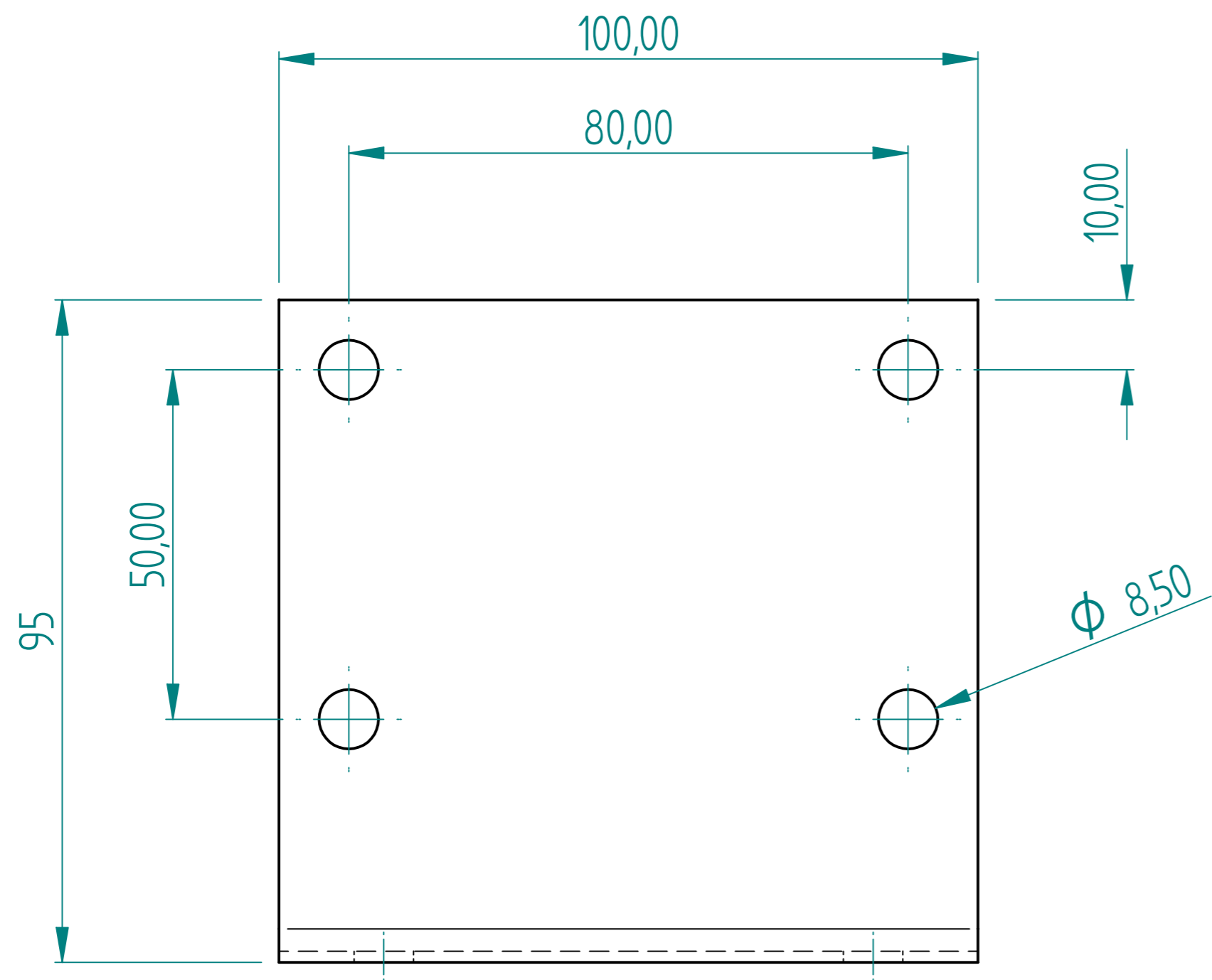
REVISION HISTORY			
REV	DESCRIPTION	DATE	APPROVED



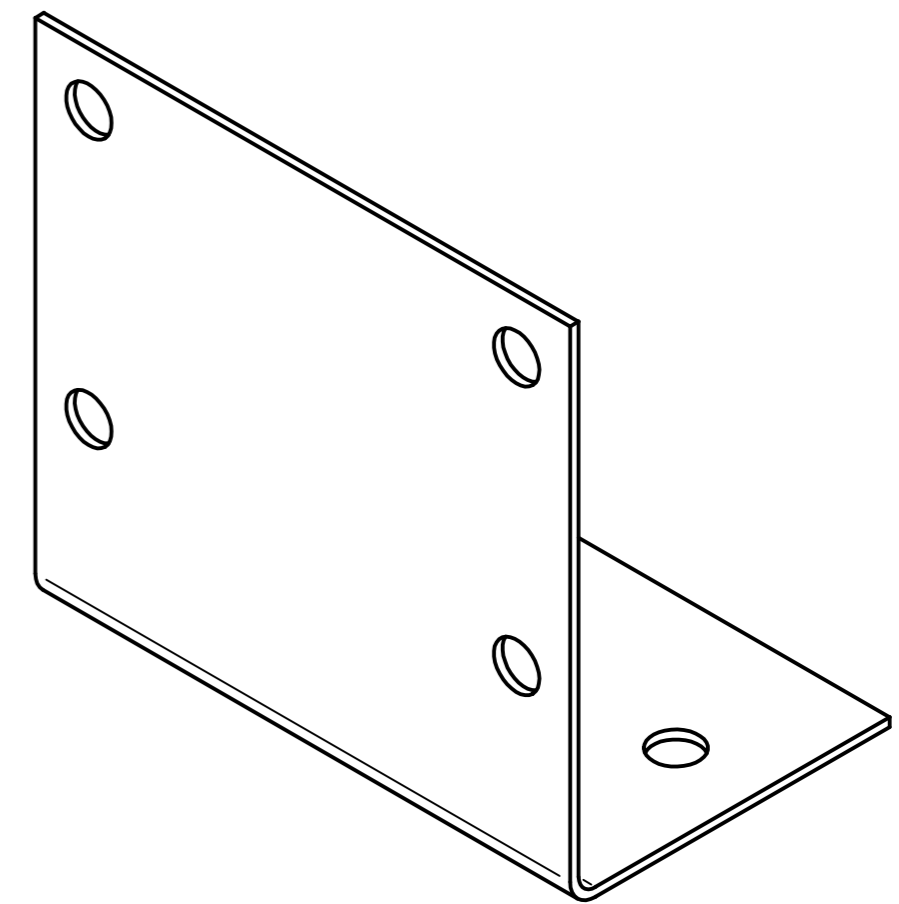
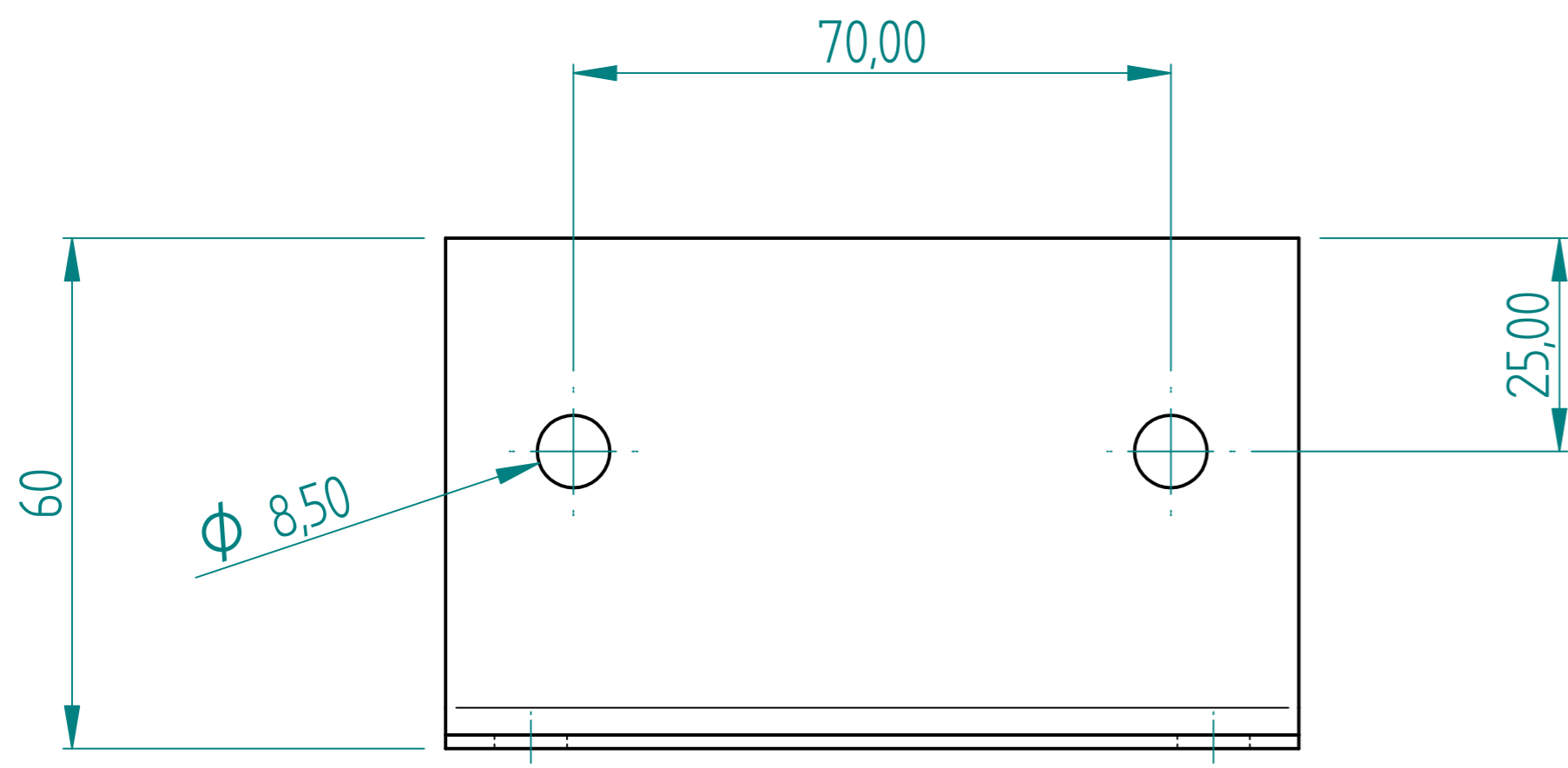
## FITTING GROMMET

	NAME	DATE	<b>AGRIGEL</b>	
DRAWN	Dan	06/01/10		
APPROVED				
MATERIAL				
TREATMENT			TITLE	8 ROW LCD DISPLAY BOX
UNLESS OTHERWISE SPECIFIED DIMENSIONS ARE IN MILLIMETERS			SIZE	DWG NO
1 <sup>st</sup> ANGLE			A4	
ANGLES $\pm 0,1^\circ$			FILE NAME: Box 8 Row.dft	REV
2 PL $\pm 0,02$ 3 PL $\pm 0,005$			SCALE:	WEIGHT: SHEET 17 OF 18

REVISION HISTORY			
REV	DESCRIPTION	DATE	APPROVED



FLAT LENGTH  
 $1220 / 8 = 152,5$



# MOUNTING BRACKET

	NAME	DATE	<b>AGRIGEL</b>	
DRAWN	Dan	06/01/10	TITLE	
APPROVED			8 ROW LCD DISPLAY BOX	
MATERIAL			SIZE	DWG NO
TREATMENT			A4	
UNLESS OTHERWISE SPECIFIED DIMENSIONS ARE IN MILLIMETERS			FILE NAME: Box 8 Row.dft	REV
1 <sup>st</sup> ANGLE ANGLES $\pm 0,1^\circ$			SCALE:	WEIGHT:
2 PL $\pm 0,02$ 3 PL $\pm 0,005$				SHEET 18 OF 18