



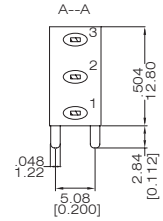
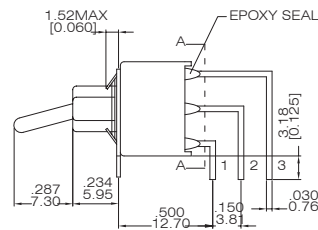
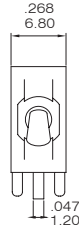
E80-T

Sealed Toggle Switches



Model No.	Switching position		
NE8019L	ON	none	ON
NE8019LA	ON	none	(ON)
NE8020L	ON	OFF	ON
NE8020LA	(ON)	OFF	(ON)
NE8020LB	ON	OFF	(ON)
Term. Comm.	2-3	open	2-1

SPDT 2 Comm
1 3

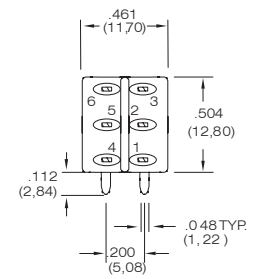
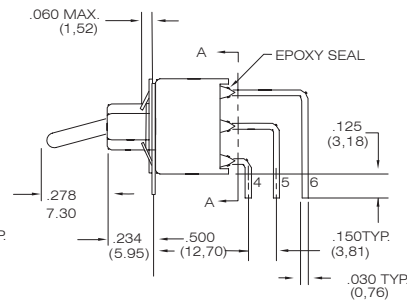
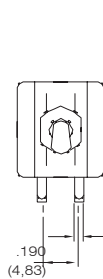


NE8019L - TNQ



Model No.	Switching position		
NE8021L	ON	none	ON
NE8021LA	ON	none	(ON)
NE8022L	ON	OFF	ON
NE8022LA	(ON)	OFF	(ON)
NE8022LB	ON	OFF	(ON)
Term. Comm.	2-3,5-6	open	2-1,5-4
3 way switches			
NE822L	ON	ON	ON
Term. Comm.	2-3,5-6	2-3,5-4	2-1,5-4

DPDT 2 Comm 5 Comm
1 3 4 6

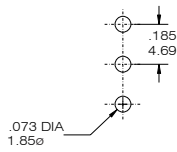


NE8021L - TNQ

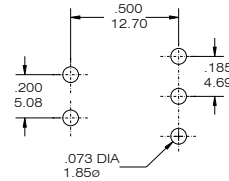
Please see page A06 to know more about NE822L (3-way Switches)

P.C.B MOUNTING DIMENSIONS

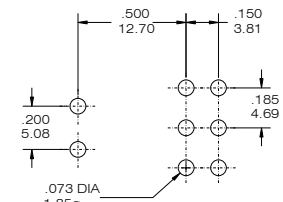
NE8013-NE8014B



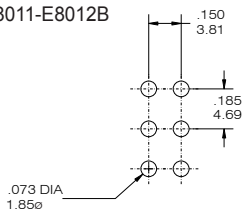
NE8019-NE8020B



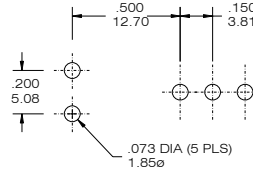
NE8021-NE8022B



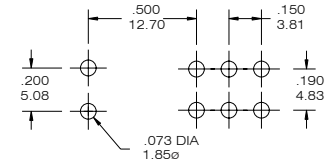
NE8011-E8012B



NE8019L-NE8020LB

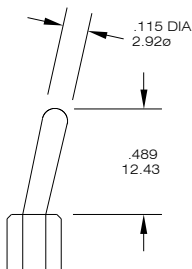


NE8021L-NE8022LB

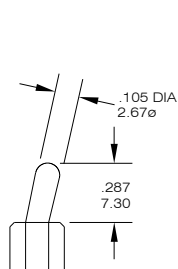


Actuator Option

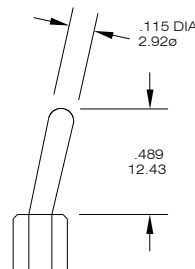
S (STD)



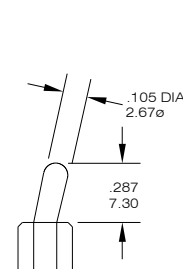
T (STD)



PLASTIC TOGGLE **NEW** P1



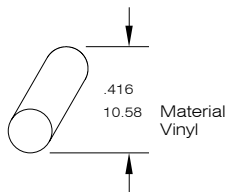
P2



code	description
P1/P2	black(std.)
P11/P21	white
P19/P29	sliver

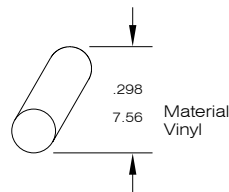
Toggle Cap Option

T1



For actuator "S" only

T2

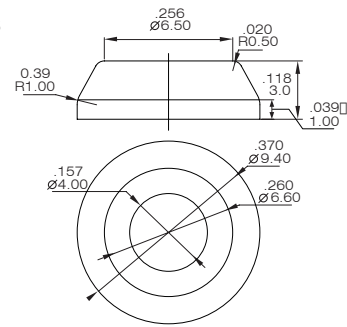


For actuator "T"

code	color
0	transparent
1	white
2	black
3	red
4	yellow
5	blue
6	green
7	orange

O Ring

E6

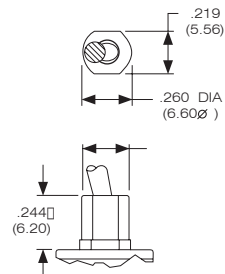


For "E" bushing

Bushing Option

N (std)

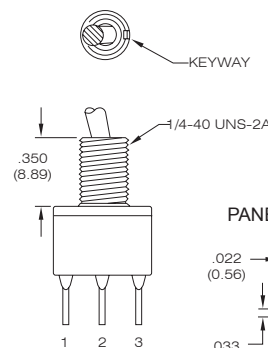
F1 ESD RESISTANT CONDUCTIVE BUSHING



Bushing F1 is only suitable for model no. E801* -S20.

ESD protection depends on proper grounding of switch support bracket. F1 conductive bushing option is impregnated with carbon fibers; dissipates electrostatic discharge (ESD) up to 20,000 V from actuator to ground.

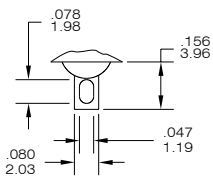
E



PANEL MOUNTING

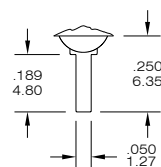
TERMINAL OPTION

B SOLDER LUG



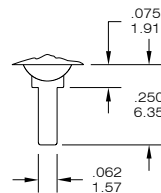
THK 0.76 (.030)

C PRINTED CIRCUIT



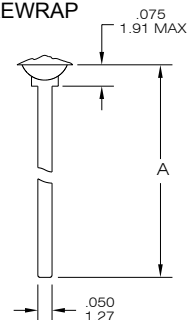
THK 0.76 (.030)

D QUICK CONNECT



THK 0.76 (.030)

WIREWRAP



THK 0.76 (.030)

CODE	"A" dimension
D1	.750 (19.05)
D3	.425 (10.8)

CONTACT MATERIAL OPTIONS

CODE	CONTACT MATERIAL	TERMINAL MATERIAL	RATING
Q	Silver plated	Silver plated	6 A @ 125V AC or 28 V DC; 3 A @ 250 VAC
R	Gold plated over nickel plated	Gold plated over nickel plated	0.4VA MAX @ 20 V AC or DC MAX
G	Gold plated over silver plated	Gold plated over silver plated	0.4 VA MAX @ 20 V AC or DC MAX or 6 A @ 125V AC or 28 V DC; 3 A @ 250 VAC
K	Gold plated over nickel plated	Tin over nickel plated	0.4VA MAX @ 20 V AC or DC MAX

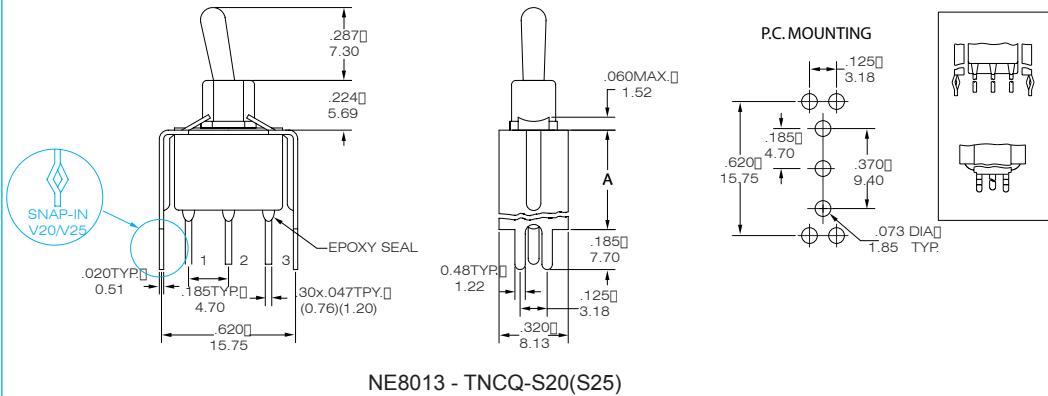
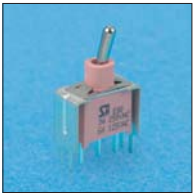
* THE K option is only for some special item. Please inquire first when you need the "K" option



VERTICAL SUPPORT BRACKET OPTION

(only apply the straight type terminal -page A02. Please build the terminal option is "c" code)

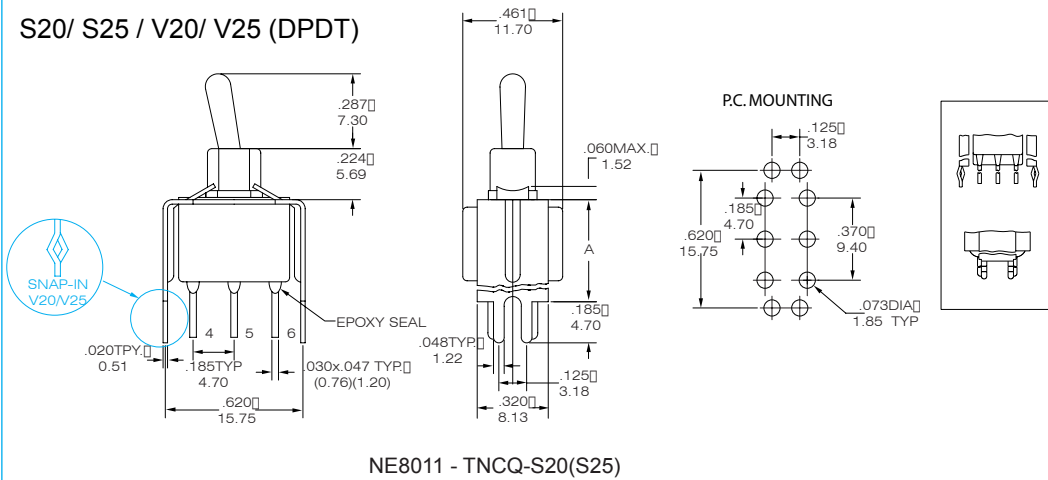
S20/ S25 / V20/ V25 (SPDT)



option Code	A dimension
S20/V20	.460 11.68
S25/V25	.630 16.00
V20/V25 : the snap-in type	

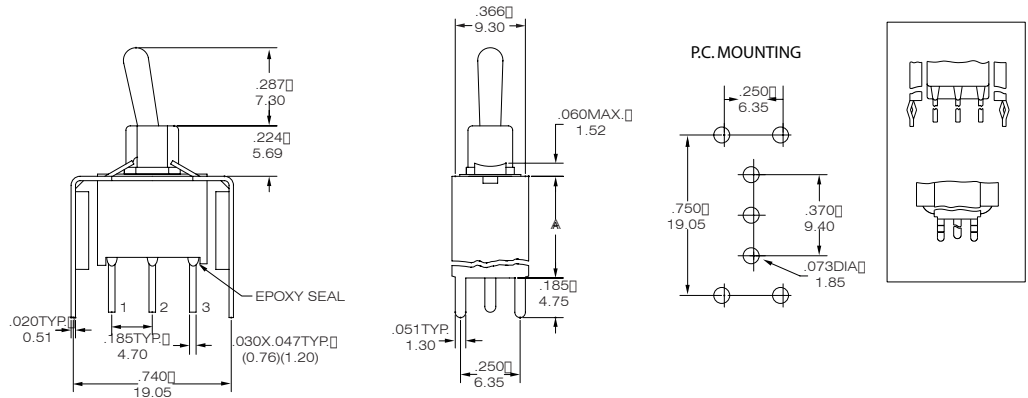
NE8013 - TNCQ-S20(S25)

S20/ S25 / V20/ V25 (DPDT)



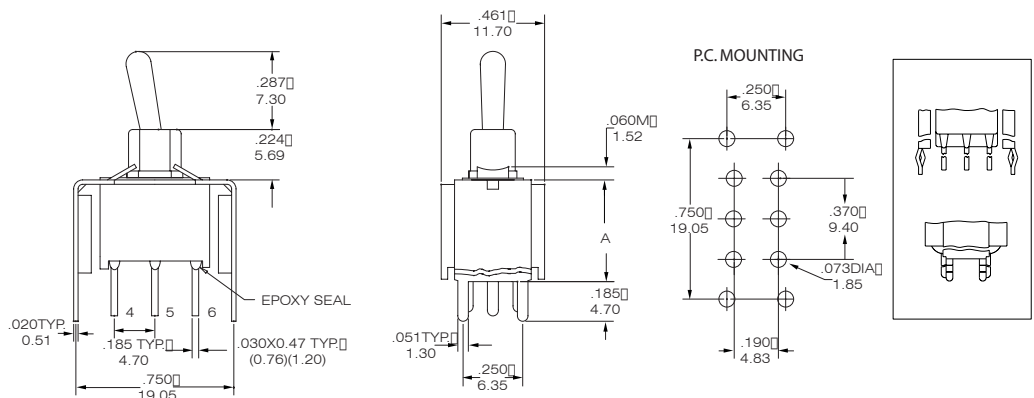
NE8011 - TNCQ-S20(S25)

option Code	A dimension
S35/V35	.460 11.68
S40/V40	.630 16.00
V35/V40 : the snap-in type	



NE8013 - TNCQ-S35(S40)

option Code	A dimension
S35/V35	.460 11.68
S40/V40	.630 16.00
V35/V40 : the snap-in type	

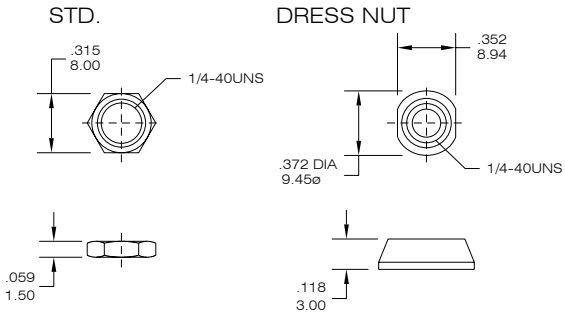


NE8011 - TNCQ-S35(S40)

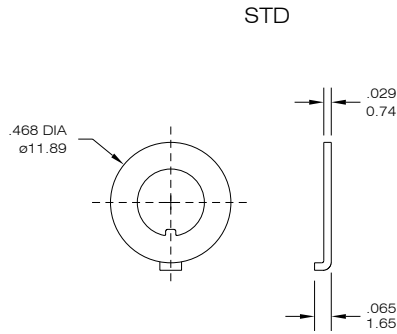


The hardware of E80-T toggle switches (only for E bushing)

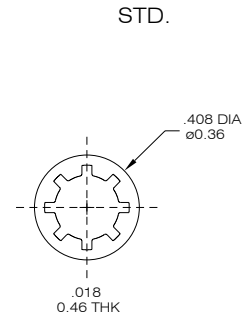
NUT



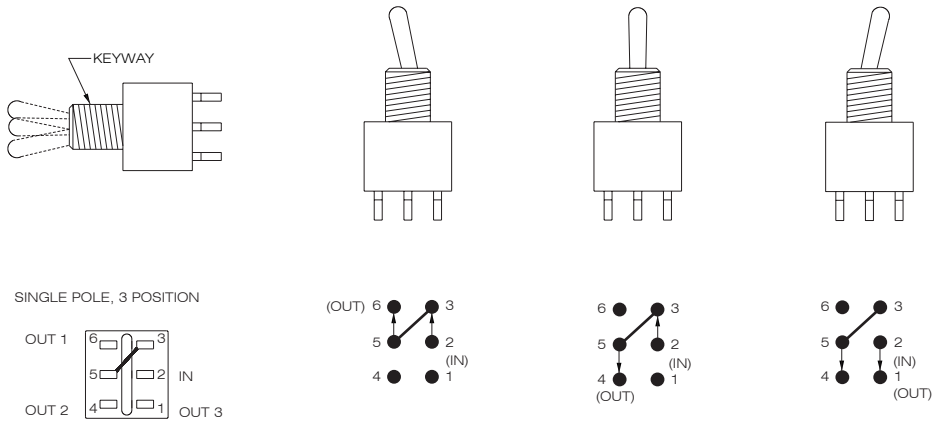
LOCKING RING



LOCK WASHER



The information of 3-way toggle switches



SP3T