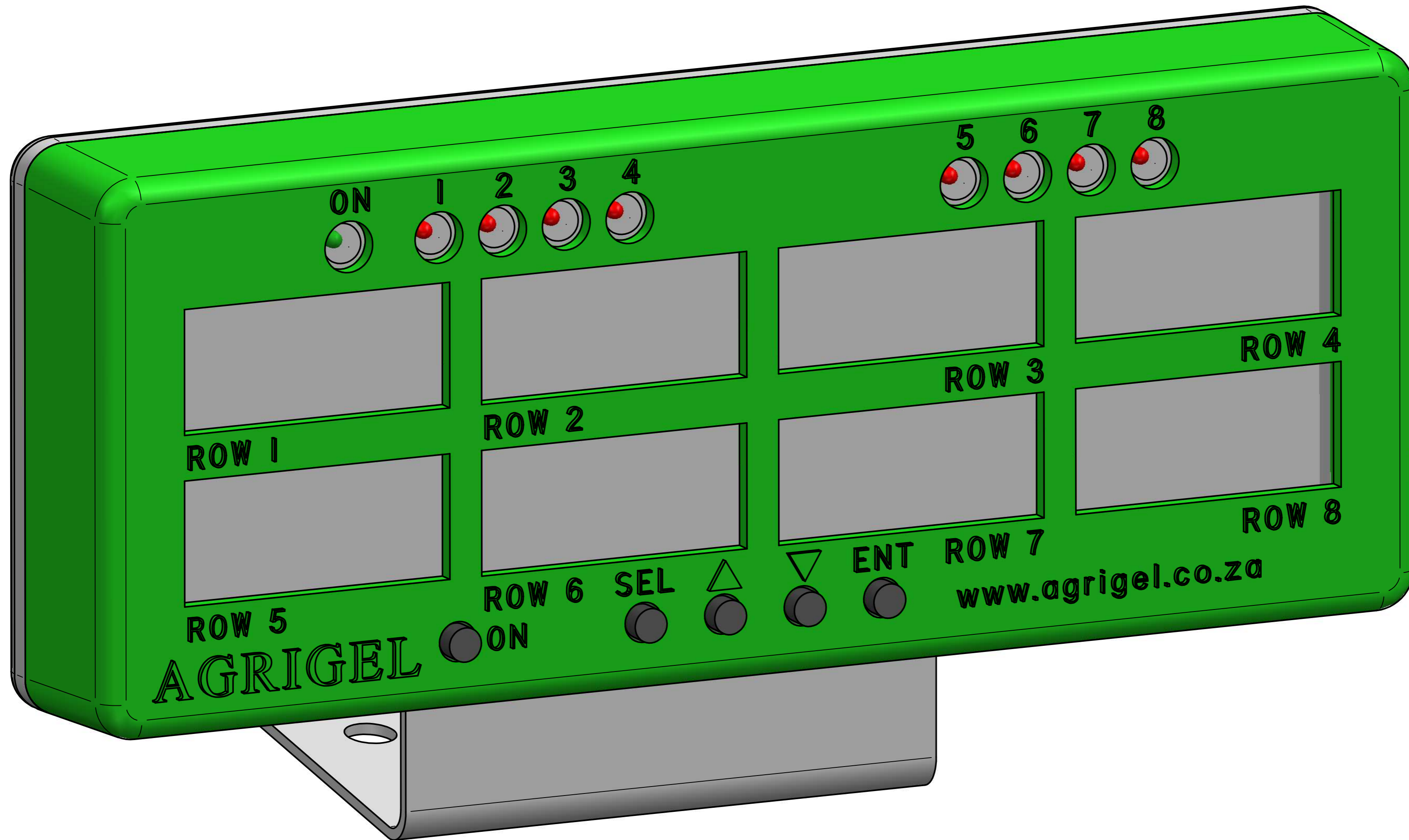


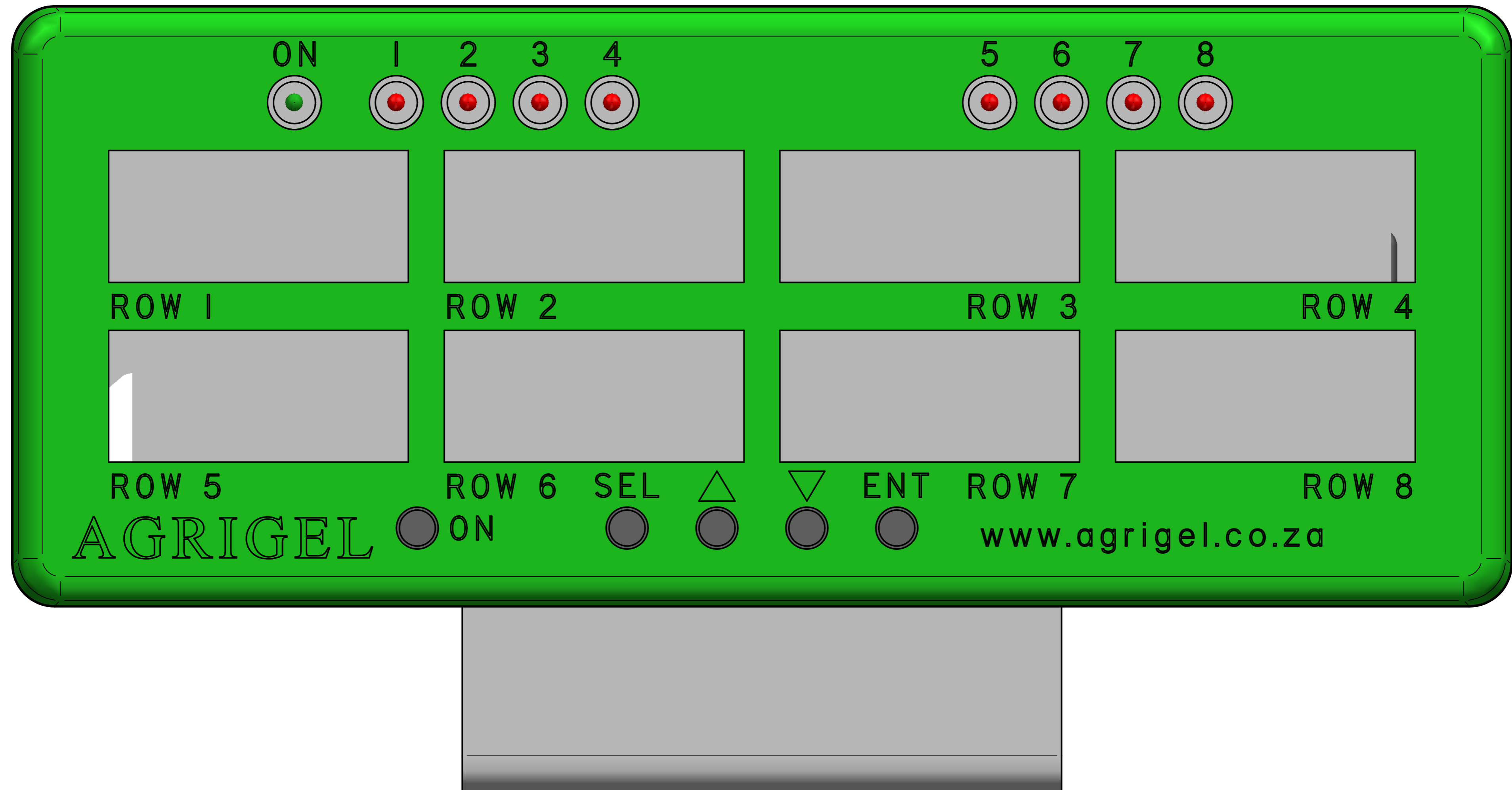
| REVISION HISTORY | | | |
|------------------|-------------|------|----------|
| REV | DESCRIPTION | DATE | APPROVED |
| | | | |



8 ROW DISPLAY BOX

| | | | | |
|---|------|----------|--------------------------|---------------|
| | NAME | DATE | AGRIGEL | |
| DRAWN | Dan | 07/25/09 | TITLE | |
| APPROVED | | | 8 ROW DISPLAY BOX | |
| MATERIAL | | | SIZE | DWG NO |
| TREATMENT | | | A4 | |
| UNLESS OTHERWISE SPECIFIED DIMENSIONS ARE IN MILLIMETERS | | | FILE NAME: Box 8 Row.dft | REV |
| 1st ANGLE 2 PL ±0.02 3 PL ±0.005 | | | SCALE: | WEIGHT: |
| | | | | SHEET 1 OF 16 |

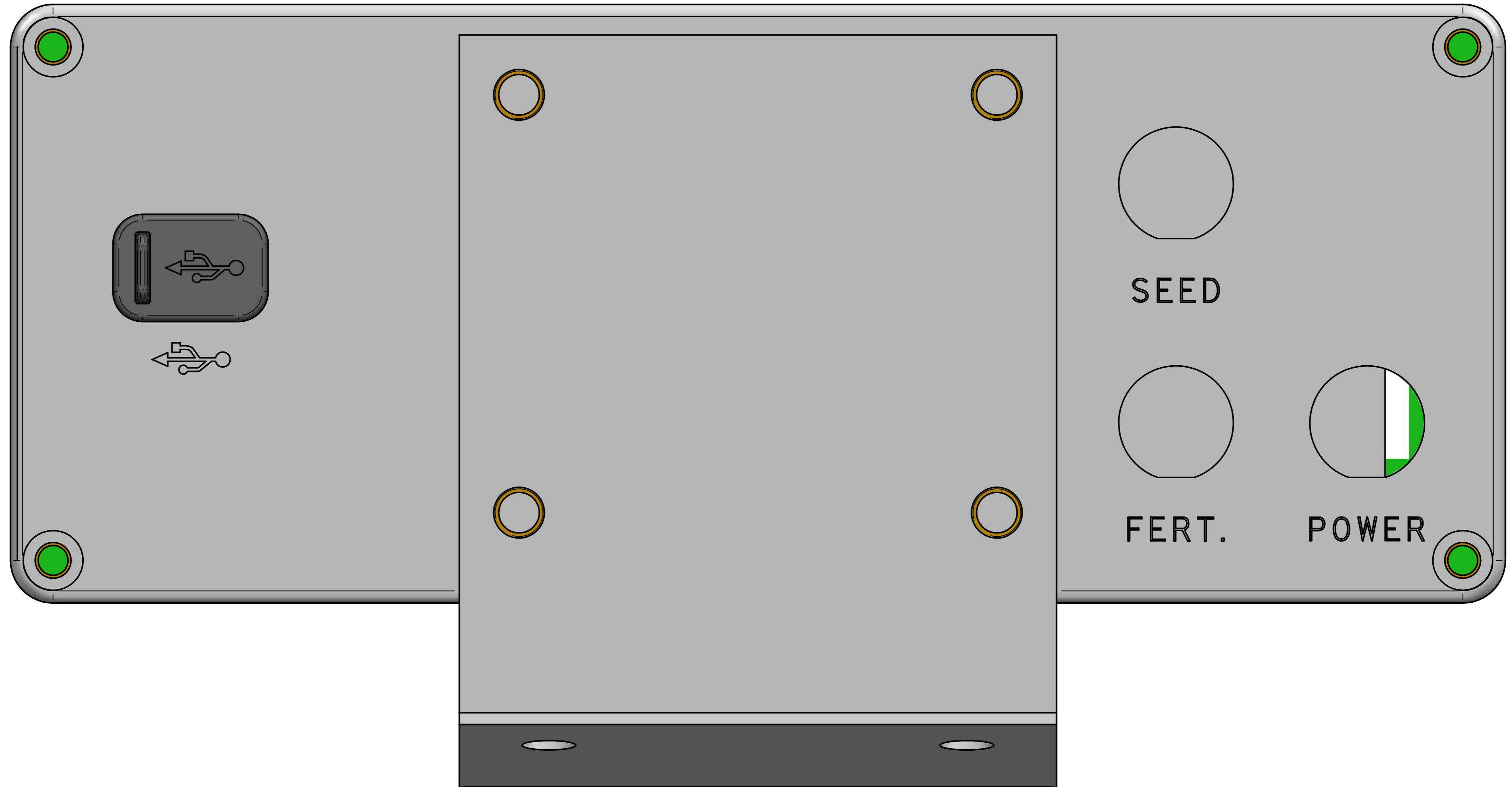
| REVISION HISTORY | | | |
|------------------|-------------|------|----------|
| REV | DESCRIPTION | DATE | APPROVED |
| | | | |



FRONT VIEW

| | | | | |
|---|------|----------|--------------------------|---------------|
| | NAME | DATE | AGRIGEL | |
| DRAWN | Dan | 07/25/09 | TITLE | |
| APPROVED | | | 8 ROW DISPLAY BOX | |
| MATERIAL | | | SIZE | DWG NO |
| TREATMENT | | | A4 | |
| UNLESS OTHERWISE SPECIFIED DIMENSIONS ARE IN MILLIMETERS | | | FILE NAME: Box 8 Row.dft | REV |
| 1st ANGLE 2 PL ±0.02 3 PL ±0.005 | | | SCALE: | WEIGHT: |
| | | | | SHEET 2 OF 16 |

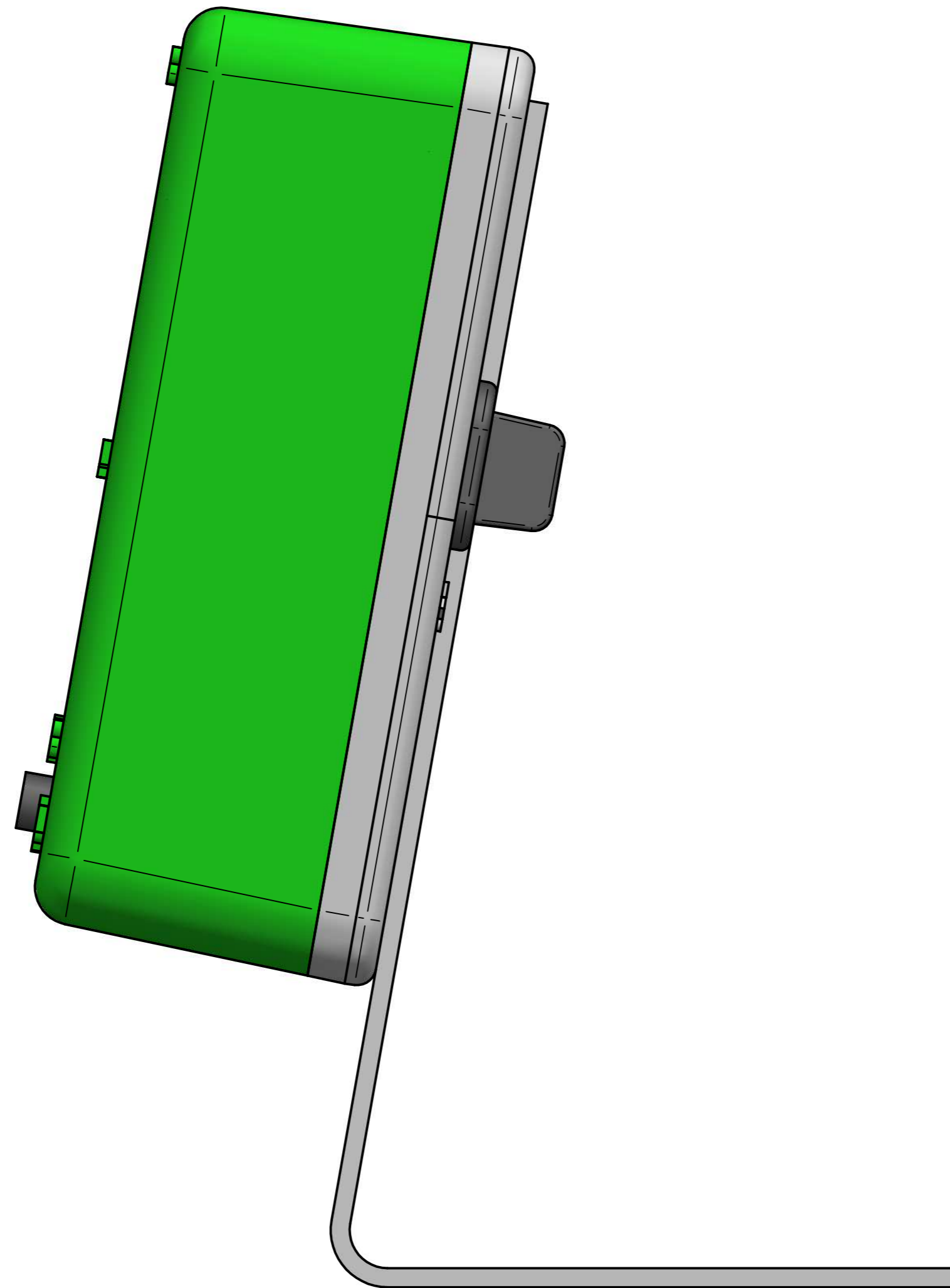
| REVISION HISTORY | | | |
|------------------|-------------|------|----------|
| REV | DESCRIPTION | DATE | APPROVED |
| | | | |



BACK VIEW

| | | | | |
|---|------|----------|--------------------------|---------|
| | NAME | DATE | AGRIGEL | |
| DRAWN | Dan | 07/25/09 | TITLE | |
| APPROVED | | | 8 ROW DISPLAY BOX | |
| MATERIAL | | | SIZE | DWG NO |
| TREATMENT | | | A4 | |
| UNLESS OTHERWISE SPECIFIED DIMENSIONS ARE IN MILLIMETERS | | | FILE NAME: Box 8 Row.dft | REV |
| 1st ANGLE 2 PL ±0.02 3 PL ±0.005 | | | SCALE: | WEIGHT: |
| | | | SHEET 3 OF 16 | |

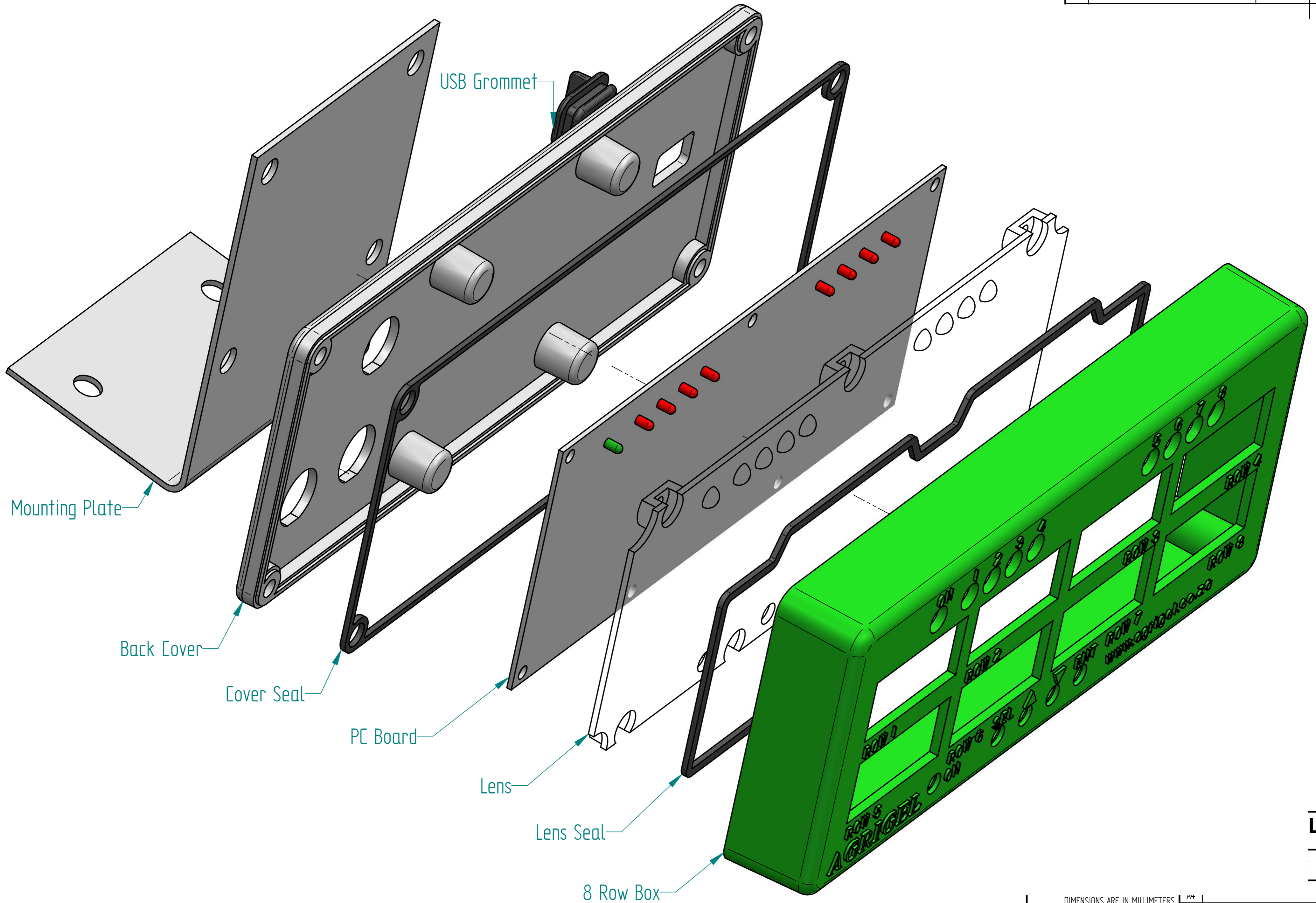
| REVISION HISTORY | | | |
|------------------|-------------|------|----------|
| REV | DESCRIPTION | DATE | APPROVED |
| | | | |



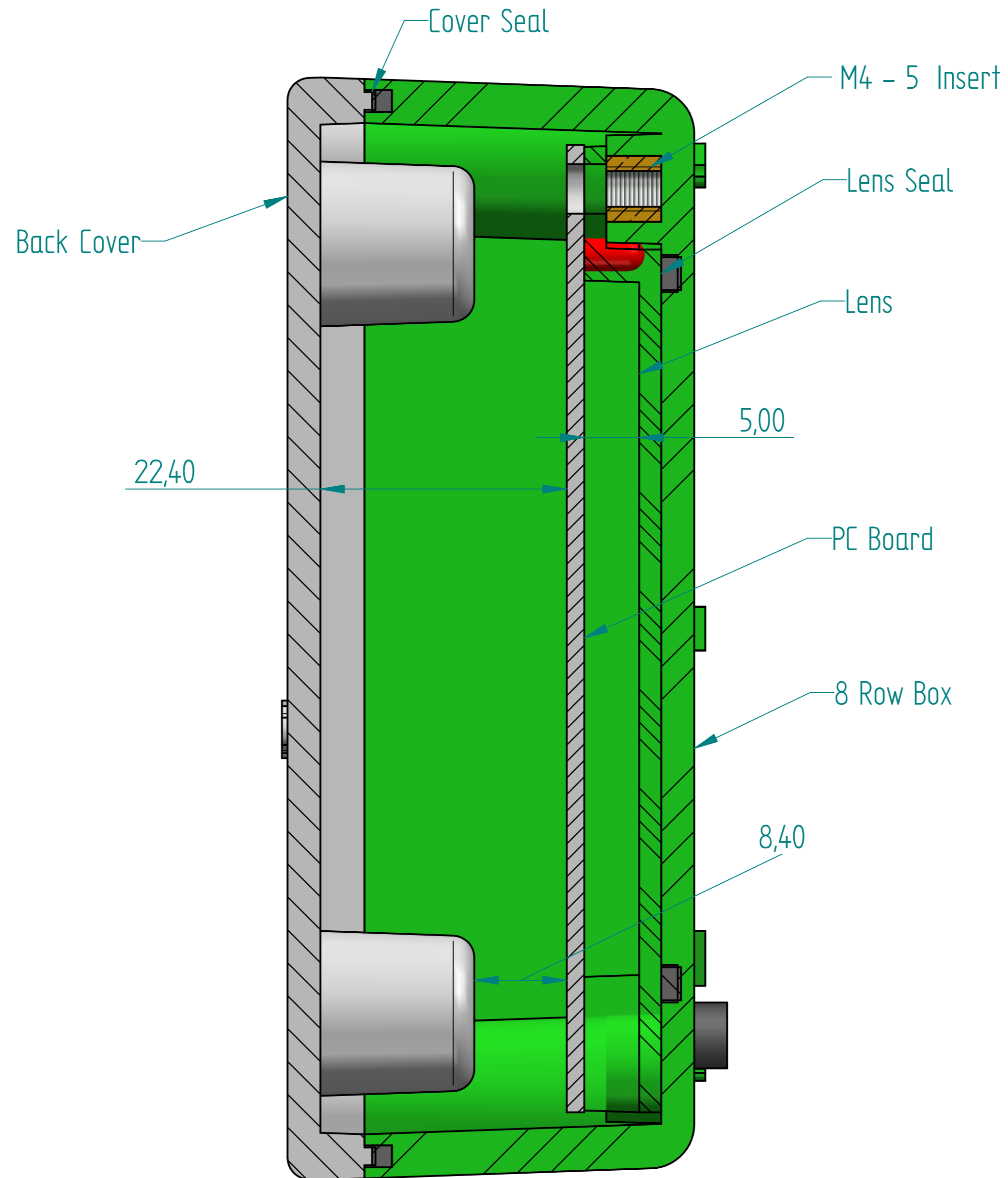
SIDE VIEW

| | | | | |
|---|------|----------|--------------------------|---------------|
| | NAME | DATE | AGRIGEL | |
| DRAWN | Dan | 07/25/09 | TITLE | |
| APPROVED | | | 8 ROW DISPLAY BOX | |
| MATERIAL | | | SIZE | DWG NO |
| TREATMENT | | | A4 | |
| UNLESS OTHERWISE SPECIFIED DIMENSIONS ARE IN MILLIMETERS | | | FILE NAME: Box 8 Row.dft | REV |
| 1st ANGLE ANGLES ±0.1° | | | SCALE: | WEIGHT: |
| 2 PL ±0.02 3 PL ±0.005 | | | | SHEET 4 OF 16 |

| REVISION HISTORY | | | |
|------------------|-------------|------|----------|
| REV | DESCRIPTION | DATE | APPROVED |
| | | | |



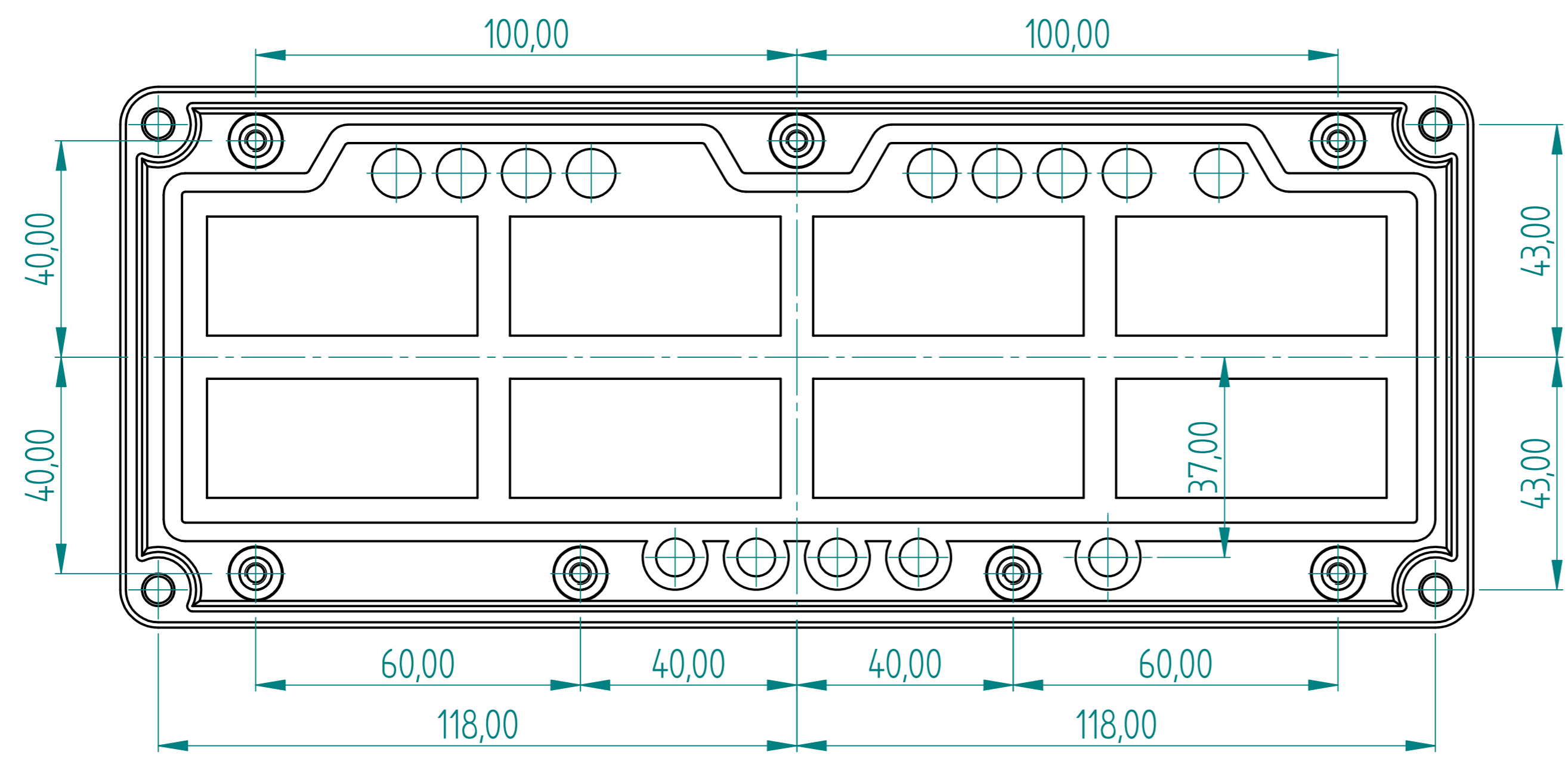
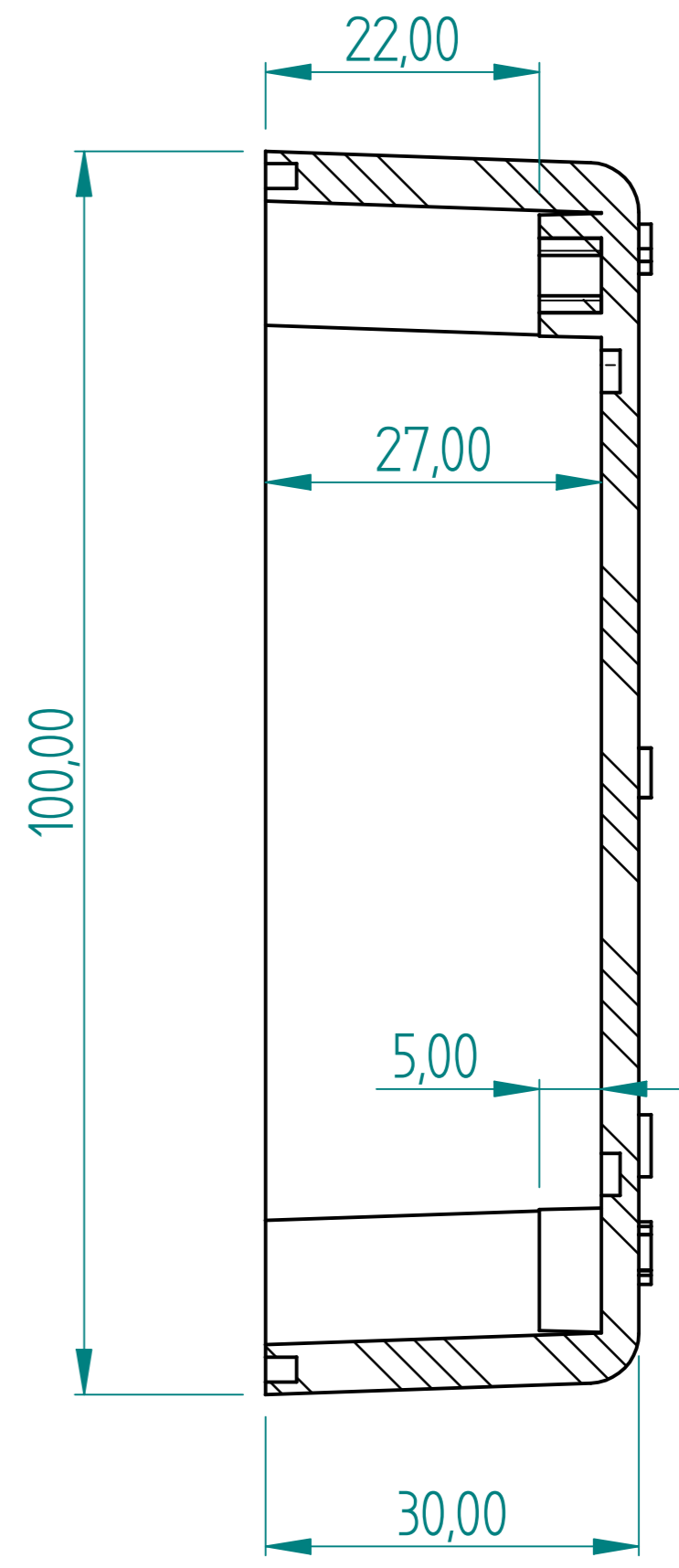
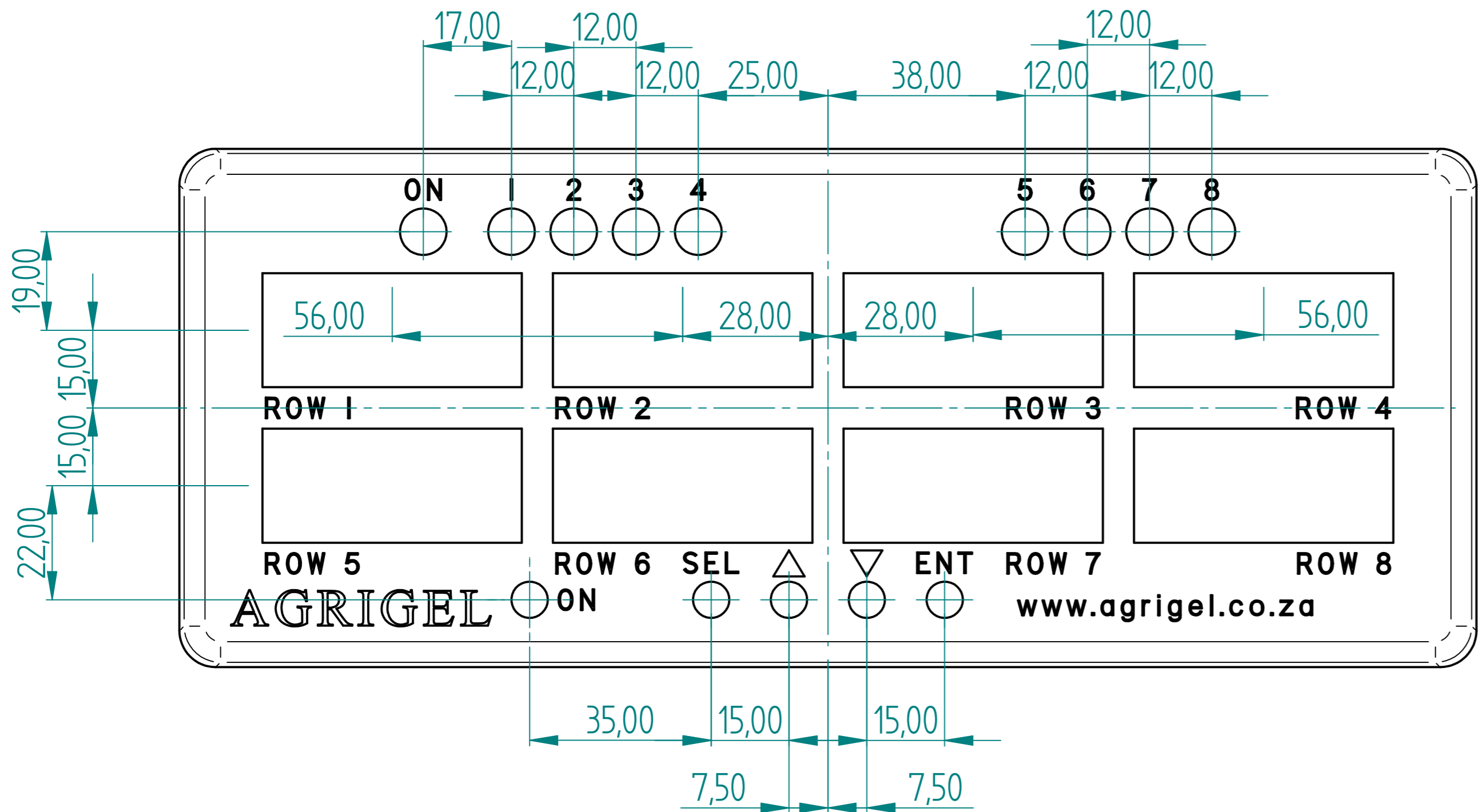
| REVISION HISTORY | | | |
|------------------|-------------|------|----------|
| REV | DESCRIPTION | DATE | APPROVED |
| | | | |



SECTION

| | | | | |
|---|------|----------|--------------------------|-----------------------|
| | NAME | DATE | AGRIGEL | |
| DRAWN | Dan | 07/25/09 | TITLE | |
| APPROVED | | | 8 ROW DISPLAY BOX | |
| MATERIAL | | | SIZE | DWG NO |
| TREATMENT | | | A4 | |
| UNLESS OTHERWISE SPECIFIED DIMENSIONS ARE IN MILLIMETERS | | | FILE NAME: Box 8 Row.dft | REV |
| 1st ANGLE 2 PL ±0.02 3 PL ±0.005 | | | SCALE: | WEIGHT: SHEET 6 OF 16 |

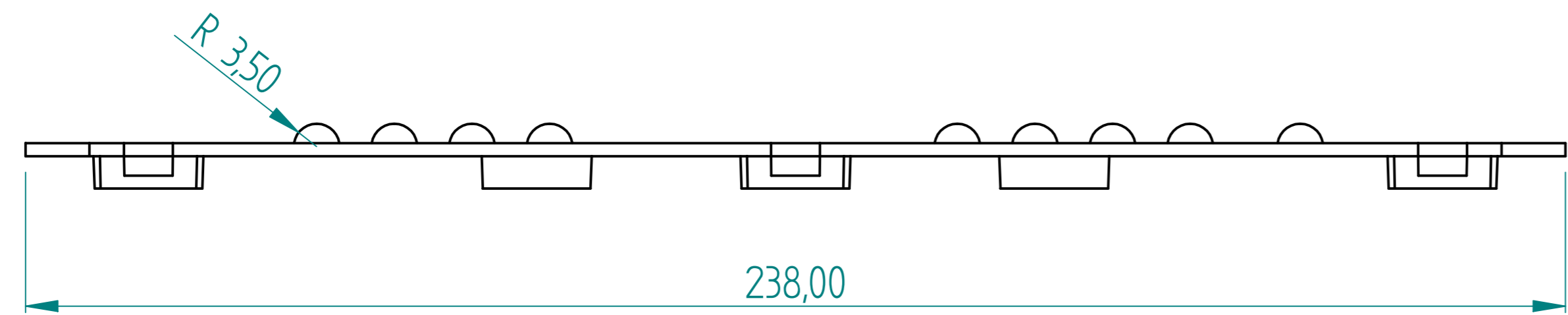
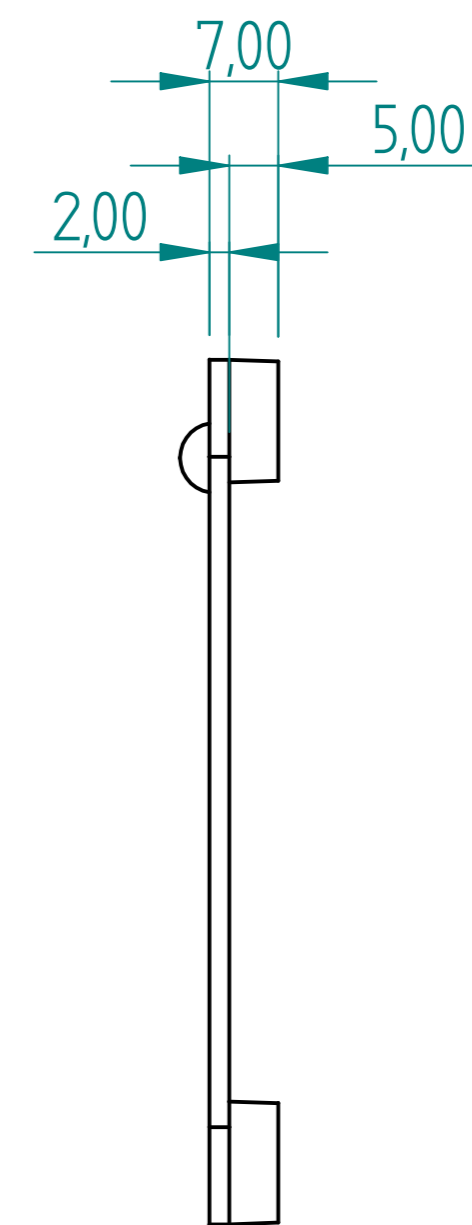
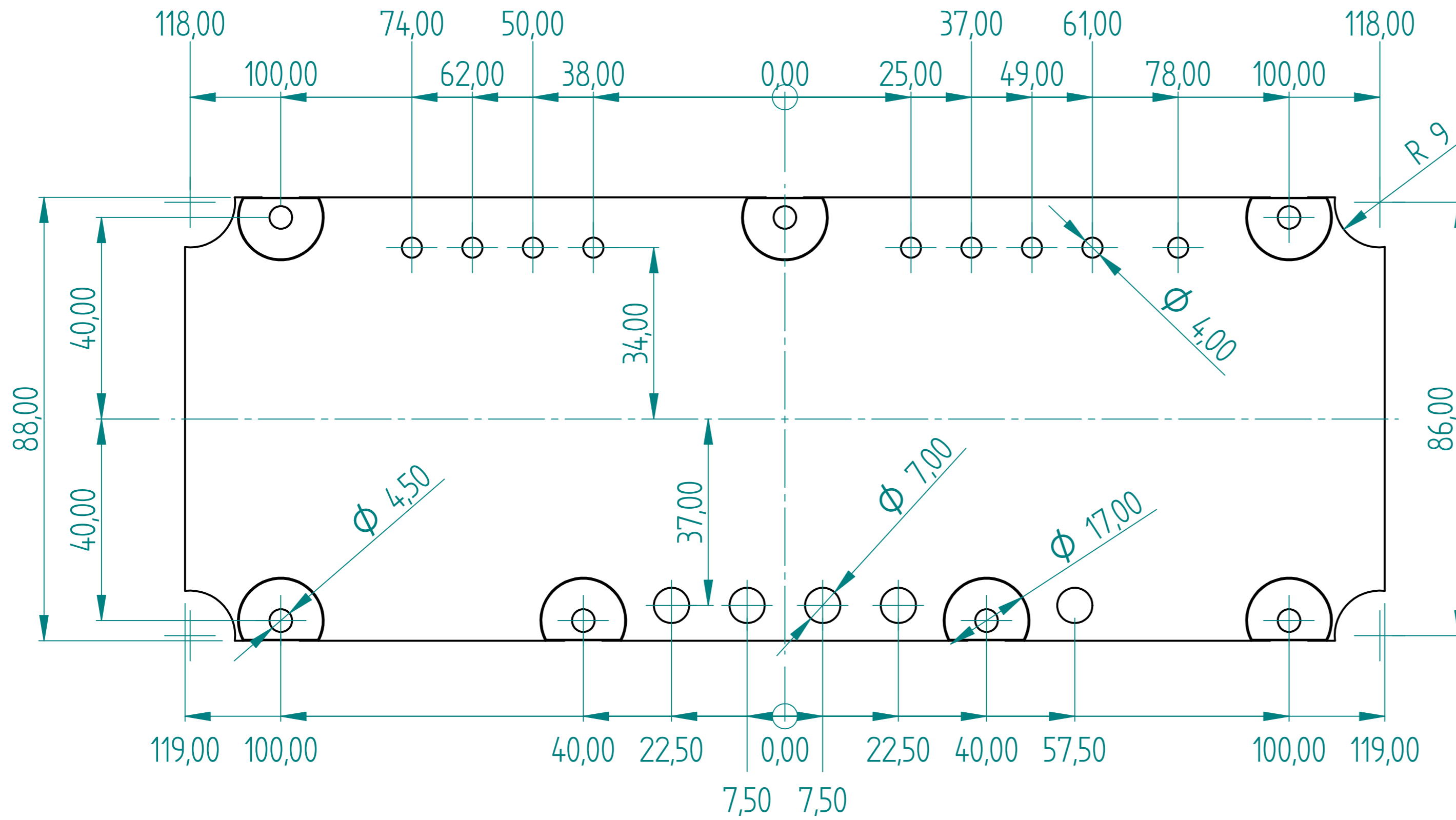
| REVISION HISTORY | | | |
|------------------|-------------|------|----------|
| REV | DESCRIPTION | DATE | APPROVED |
| | | | |



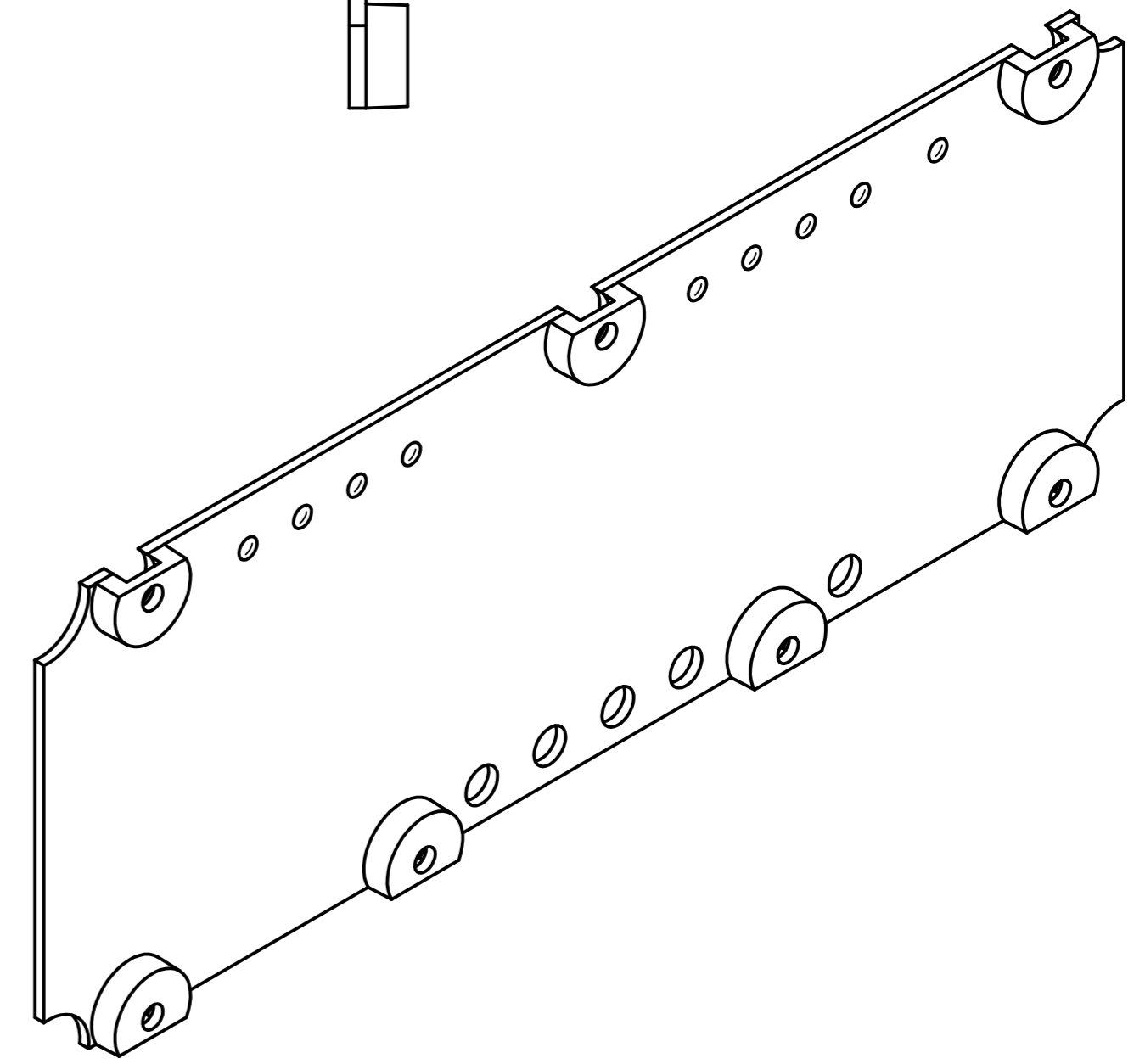
8 ROW BOX HOUSING

| | | | | |
|--|------|----------|--------------------------|-----------------------|
| DRAWN | NAME | DATE | AGRIGEL | |
| APPROVED | Dan | 07/25/09 | TITLE | |
| MATERIAL | | | 8 ROW DISPLAY BOX | |
| TREATMENT | | | SIZE | DWG NO |
| UNLESS OTHERWISE SPECIFIED DIMENSIONS ARE IN MILLIMETERS | | | A4 | REV |
| 1st ANGLE | | | FILE NAME: Box 8 Row.dft | |
| 2 PL ±0.02 3 PL ±0.005 | | | SCALE: | WEIGHT: SHEET 7 OF 16 |

| REVISION HISTORY | | | |
|------------------|-------------|------|----------|
| REV | DESCRIPTION | DATE | APPROVED |
| | | | |

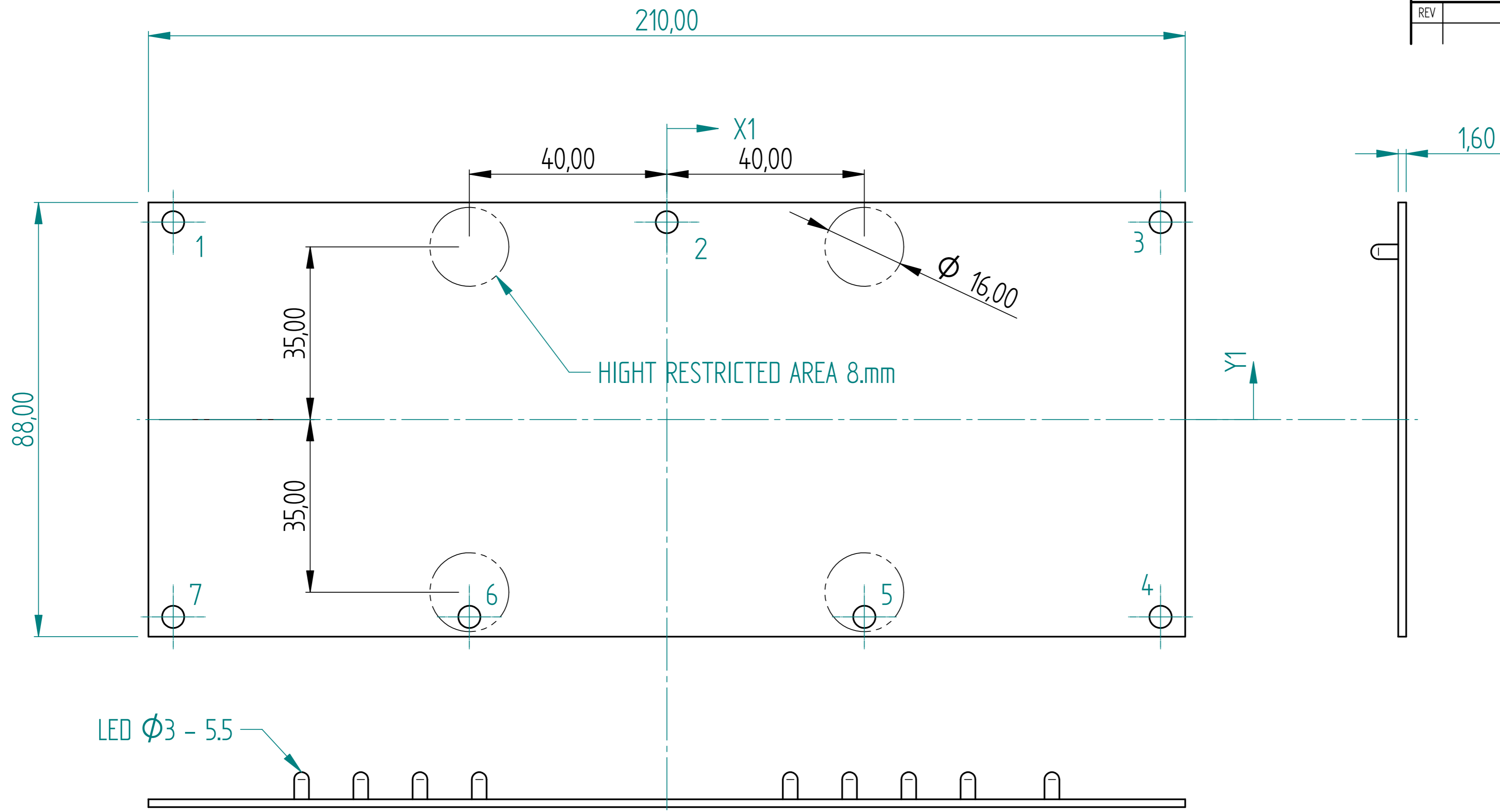


LENS



| | | | | |
|---|------|----------|--------------------------|--------|
| DRAWN | NAME | DATE | AGRIGEL | |
| APPROVED | Dan | 07/25/09 | | |
| MATERIAL | | | TITLE | |
| TREATMENT | | | 8 ROW DISPLAY BOX | |
| UNLESS OTHERWISE SPECIFIED DIMENSIONS ARE IN MILLIMETERS | | | SIZE | DWG NO |
| 1st ANGLE ANGLES $\pm 0,1^\circ$ | | | A4 | REV |
| 2 PL $\pm 0,02$ 3 PL $\pm 0,005$ | | | FILE NAME: Box 8 Row.dft | |
| SCALE: | | WEIGHT: | SHEET 8 OF 16 | |

| REVISION HISTORY | | | |
|------------------|-------------|------|----------|
| REV | DESCRIPTION | DATE | APPROVED |
| | | | |



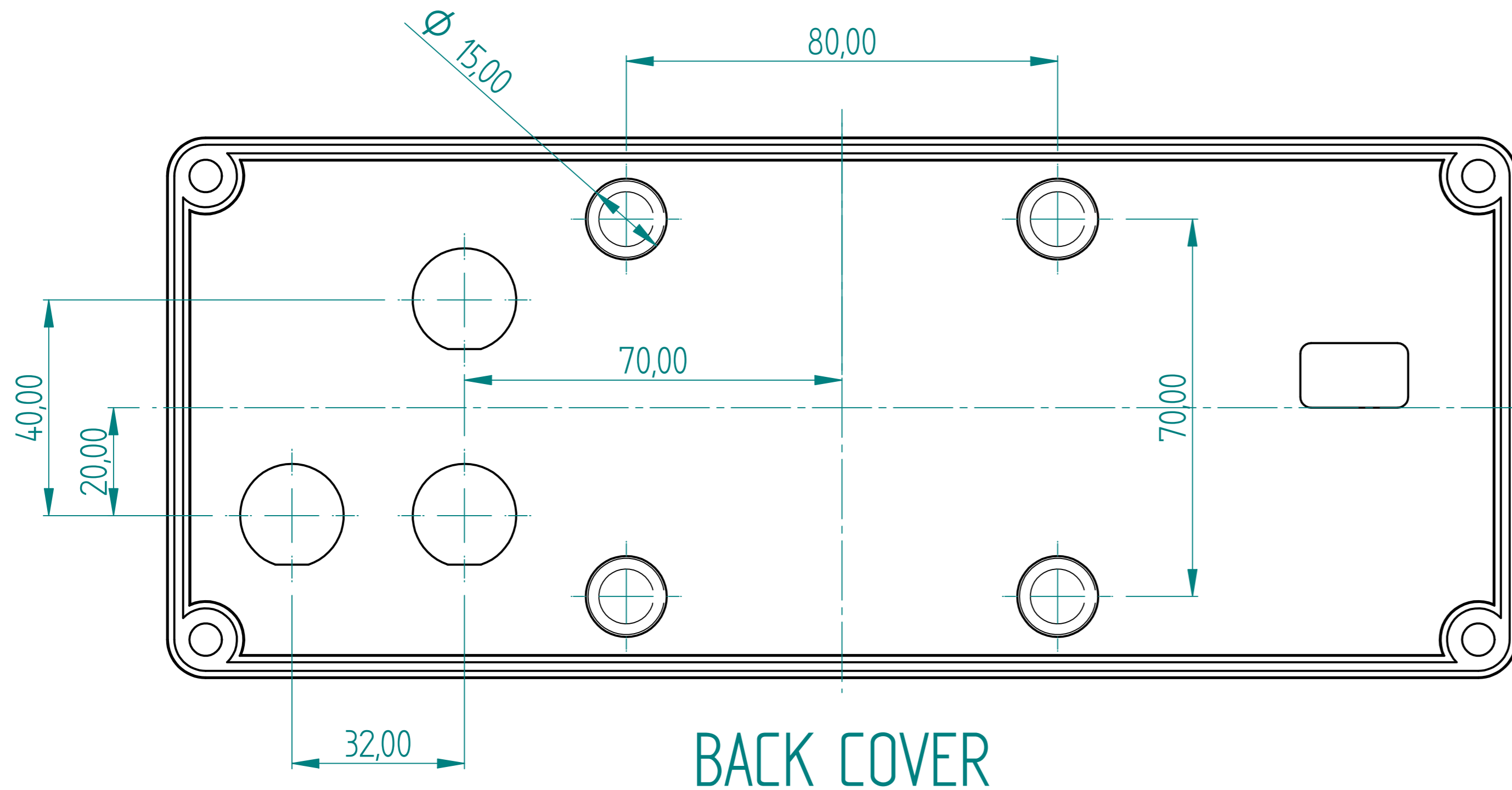
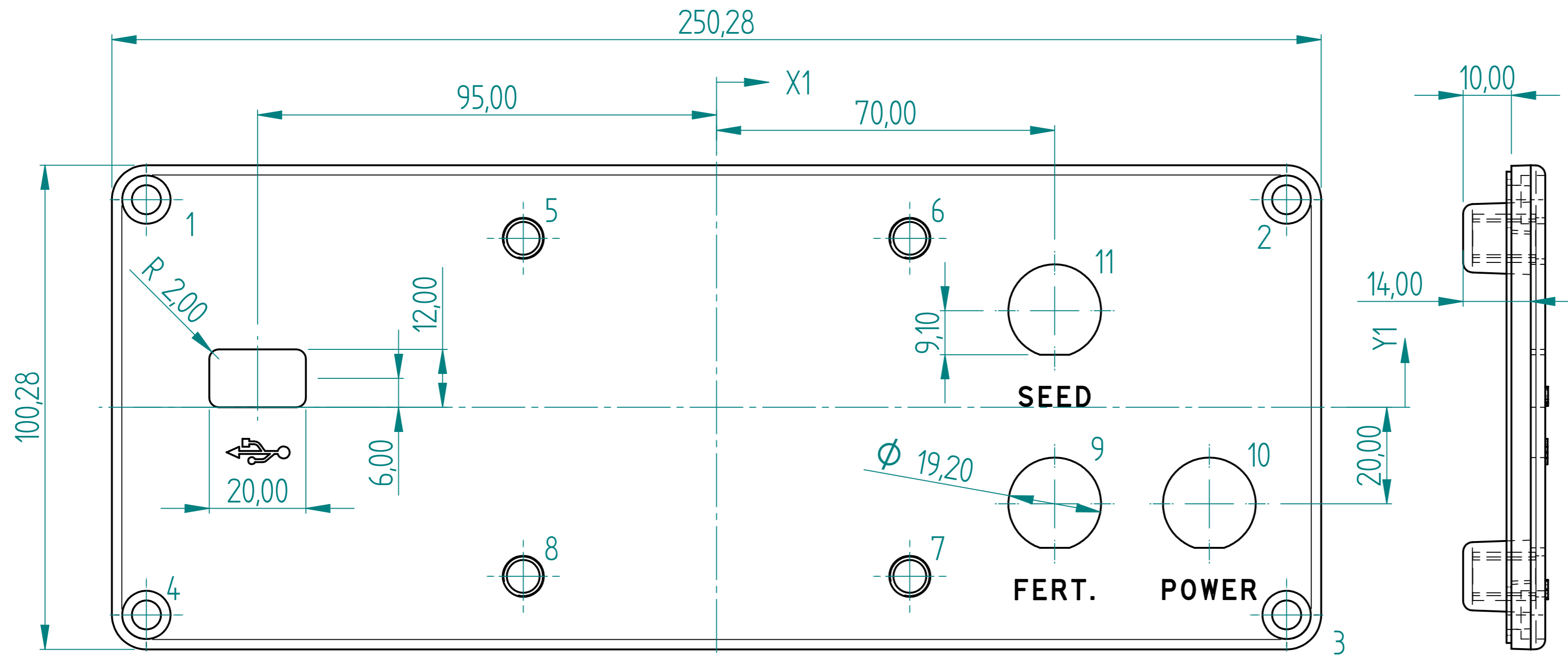
LED $\phi 3 - 5.5$

| Hole | X | Y | Size |
|------|---------|--------|-------------|
| 1 | -100,00 | 40,00 | $\phi 4,50$ |
| 2 | 0,00 | 40,00 | $\phi 4,50$ |
| 3 | 100,00 | 40,00 | $\phi 4,50$ |
| 4 | 100,00 | -40,00 | $\phi 4,50$ |
| 5 | 40,00 | -40,00 | $\phi 4,50$ |
| 6 | -40,00 | -40,00 | $\phi 4,50$ |
| 7 | -100,00 | -40,00 | $\phi 4,50$ |

PC BOARD

| | | | | |
|---|------|----------|--------------------------|---------------|
| | NAME | DATE | AGRIGEL | |
| DRAWN | Dan | 07/25/09 | TITLE | |
| APPROVED | | | 8 ROW DISPLAY BOX | |
| MATERIAL | | | SIZE | DWG NO |
| TREATMENT | | | A4 | |
| UNLESS OTHERWISE SPECIFIED DIMENSIONS ARE IN MILLIMETERS | | | SCALE: | WEIGHT: |
| 1st ANGLE ANGLES $\pm 0,1^\circ$ | | | FILE NAME: Box 8 Row.dft | REV |
| 2 PL $\pm 0,02$ 3 PL $\pm 0,005$ | | | | SHEET 9 OF 16 |

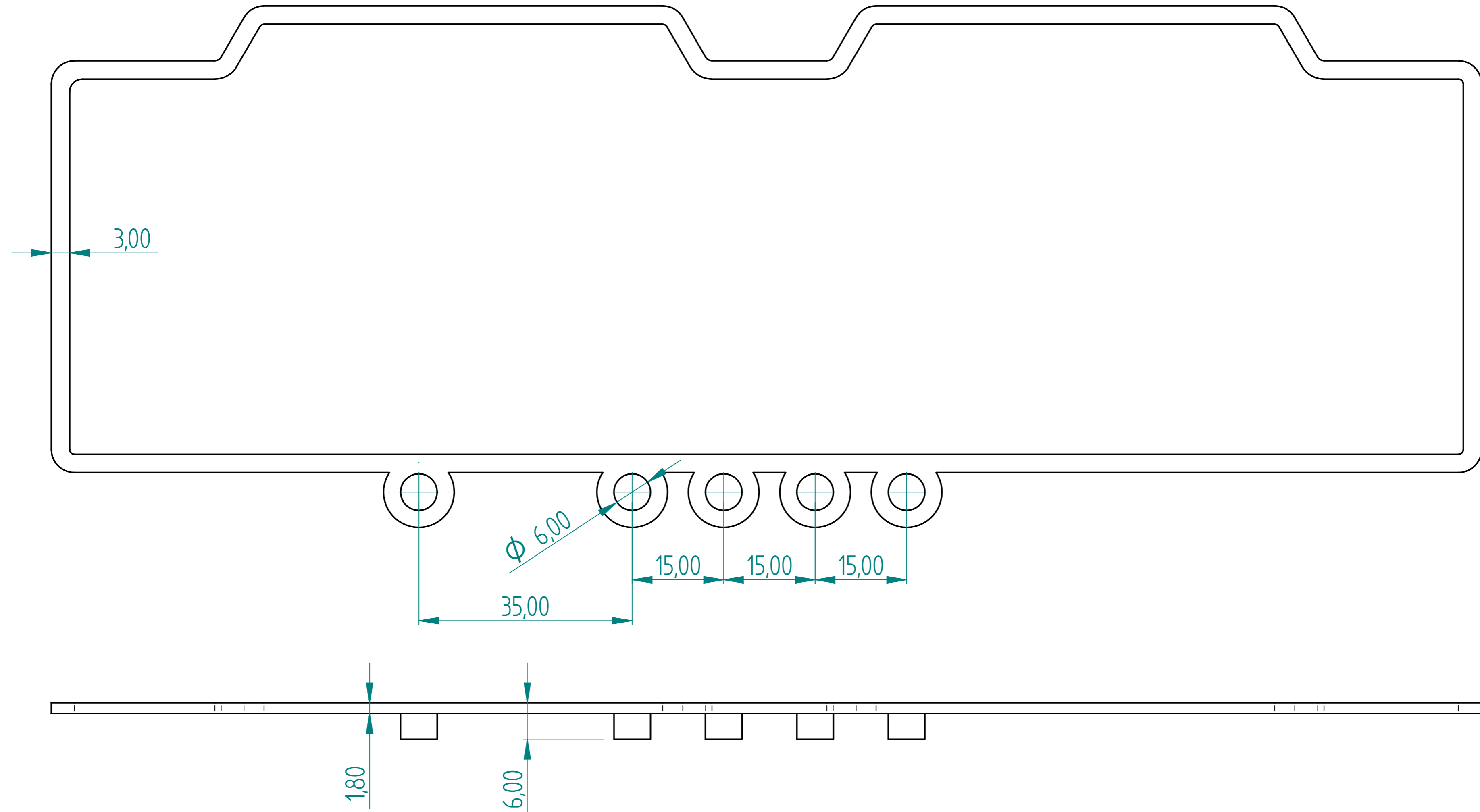
| REVISION HISTORY | | | |
|------------------|-------------|------|----------|
| REV | DESCRIPTION | DATE | APPROVED |
| | | | |



| Hole Table | | | |
|------------|---------|--------|---------|
| Hole | X | Y | Size |
| 1 | -118,00 | 43,00 | Φ 6,00 |
| 2 | 118,00 | 43,00 | Φ 6,00 |
| 3 | 118,00 | -43,00 | Φ 6,00 |
| 4 | -118,00 | -43,00 | Φ 6,00 |
| 5 | -40,00 | 35,00 | Φ 6,80 |
| 6 | 40,00 | 35,00 | Φ 6,80 |
| 7 | 40,00 | -35,00 | Φ 6,80 |
| 8 | -40,00 | -35,00 | Φ 6,80 |
| 9 | 70,00 | -20,00 | Φ 19,20 |
| 10 | 102,00 | -20,00 | Φ 19,20 |
| 11 | 70,00 | 20,00 | Φ 19,20 |

| | | | | |
|---|------|----------|--------------------------|---------|
| DRAWN | NAME | DATE | AGRIGEL | |
| APPROVED | Dan | 07/25/09 | | |
| MATERIAL | | | | |
| TREATMENT | | | | |
| UNLESS OTHERWISE SPECIFIED DIMENSIONS ARE IN MILLIMETERS | | | SIZE A4 | DWG NO |
| 1st ANGLE ANGLES ±0,1° | | | FILE NAME: Box 8 Row.dft | |
| 2 PL ±0.02 3 PL ±0.005 | | | SCALE: | WEIGHT: |
| | | | SHEET 10 OF 16 | |

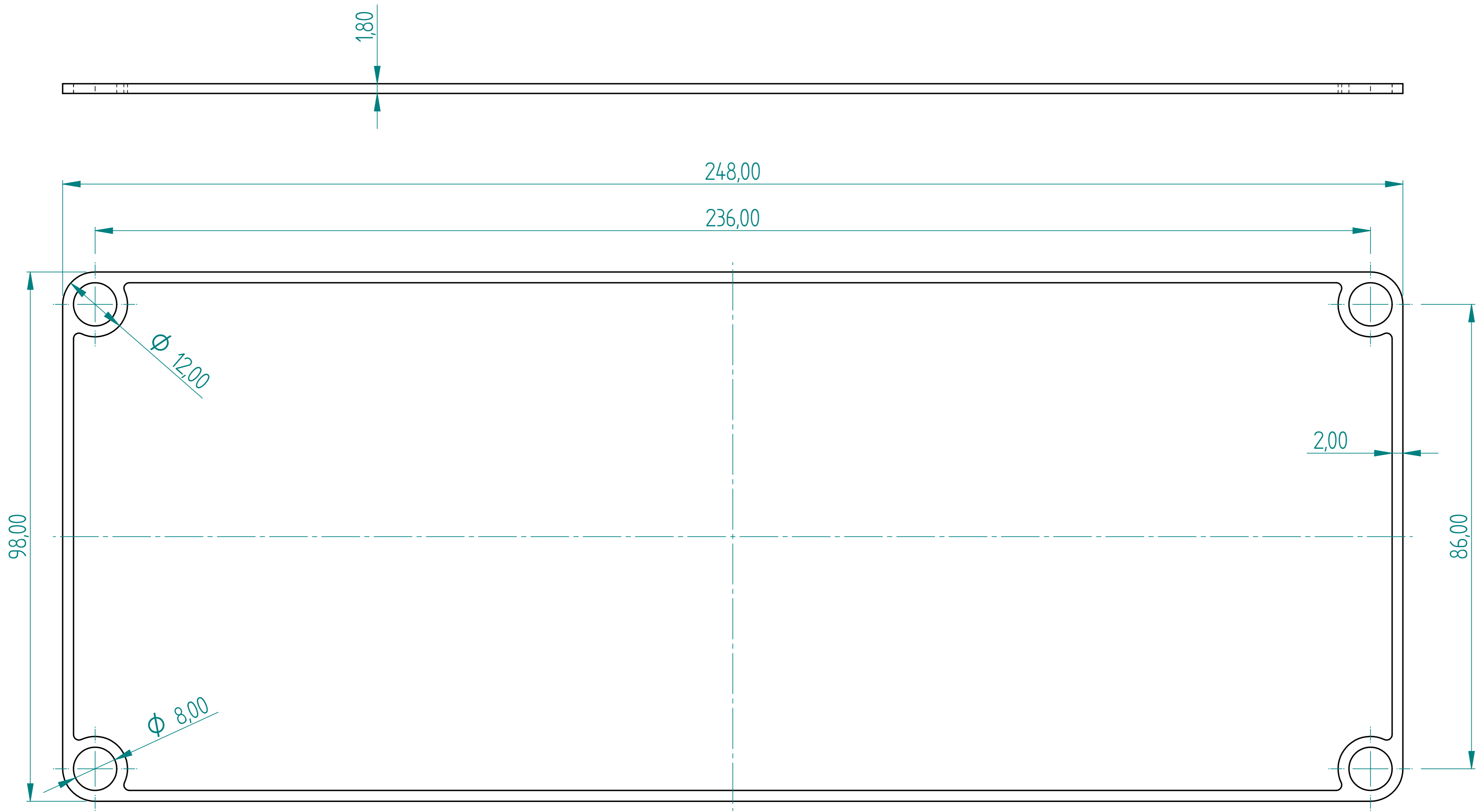
| REVISION HISTORY | | | |
|------------------|-------------|------|----------|
| REV | DESCRIPTION | DATE | APPROVED |
| | | | |



LENS SEAL

| | | | | |
|---|------|----------|--------------------------|----------------|
| | NAME | DATE | AGRIGEL | |
| DRAWN | Dan | 07/25/09 | TITLE | |
| APPROVED | | | 8 ROW DISPLAY BOX | |
| MATERIAL | | | SIZE | DWG NO |
| TREATMENT | | | A4 | |
| UNLESS OTHERWISE SPECIFIED DIMENSIONS ARE IN MILLIMETERS | | | FILE NAME: Box 8 Row.dft | REV |
| 1 st ANGLE 2 PL ±0.02 3 PL ±0.005 | | | SCALE: | WEIGHT: |
| | | | | SHEET 11 OF 16 |

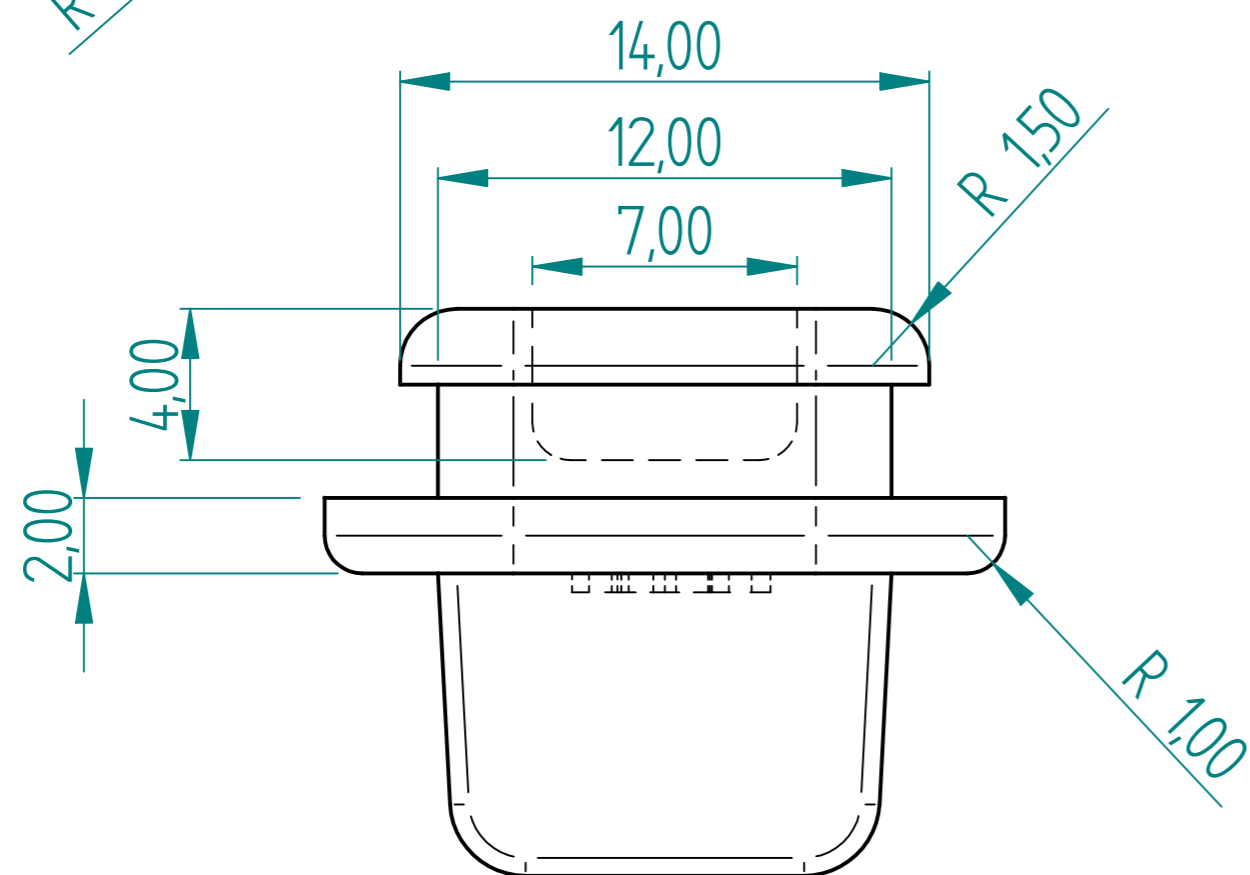
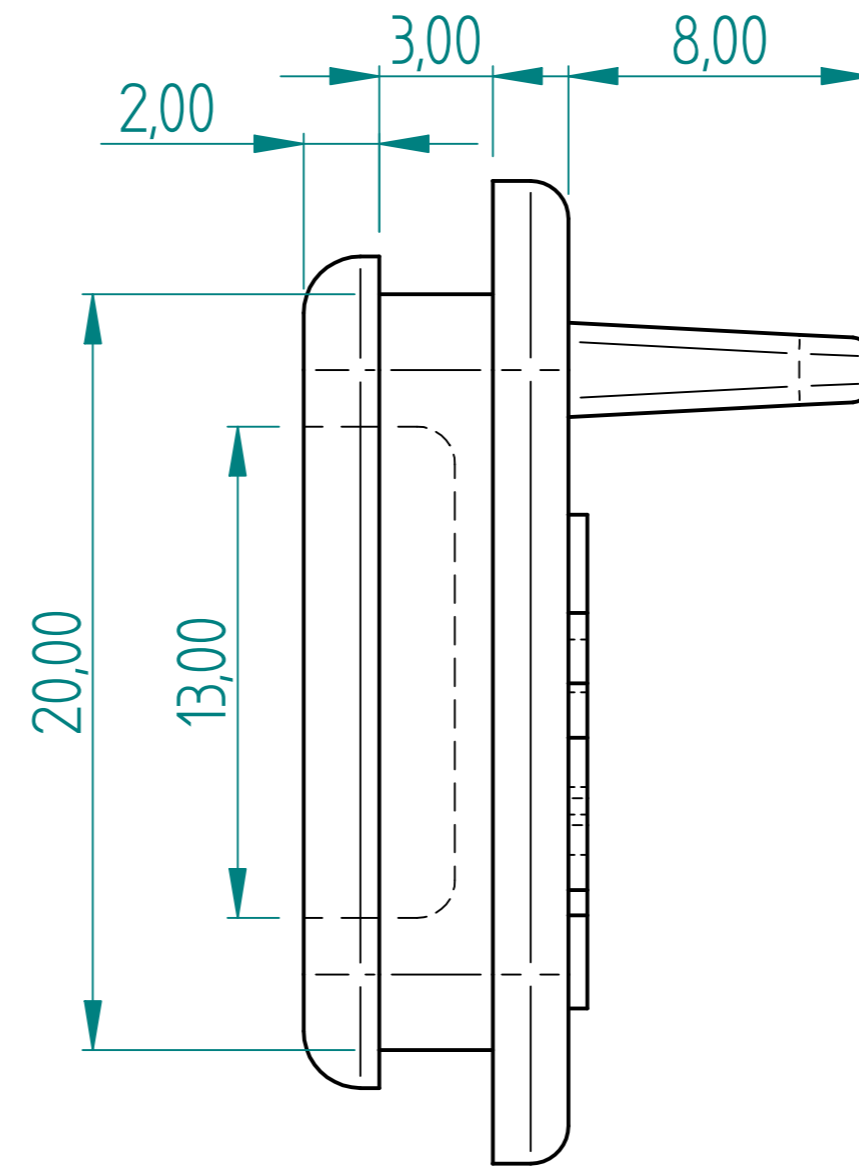
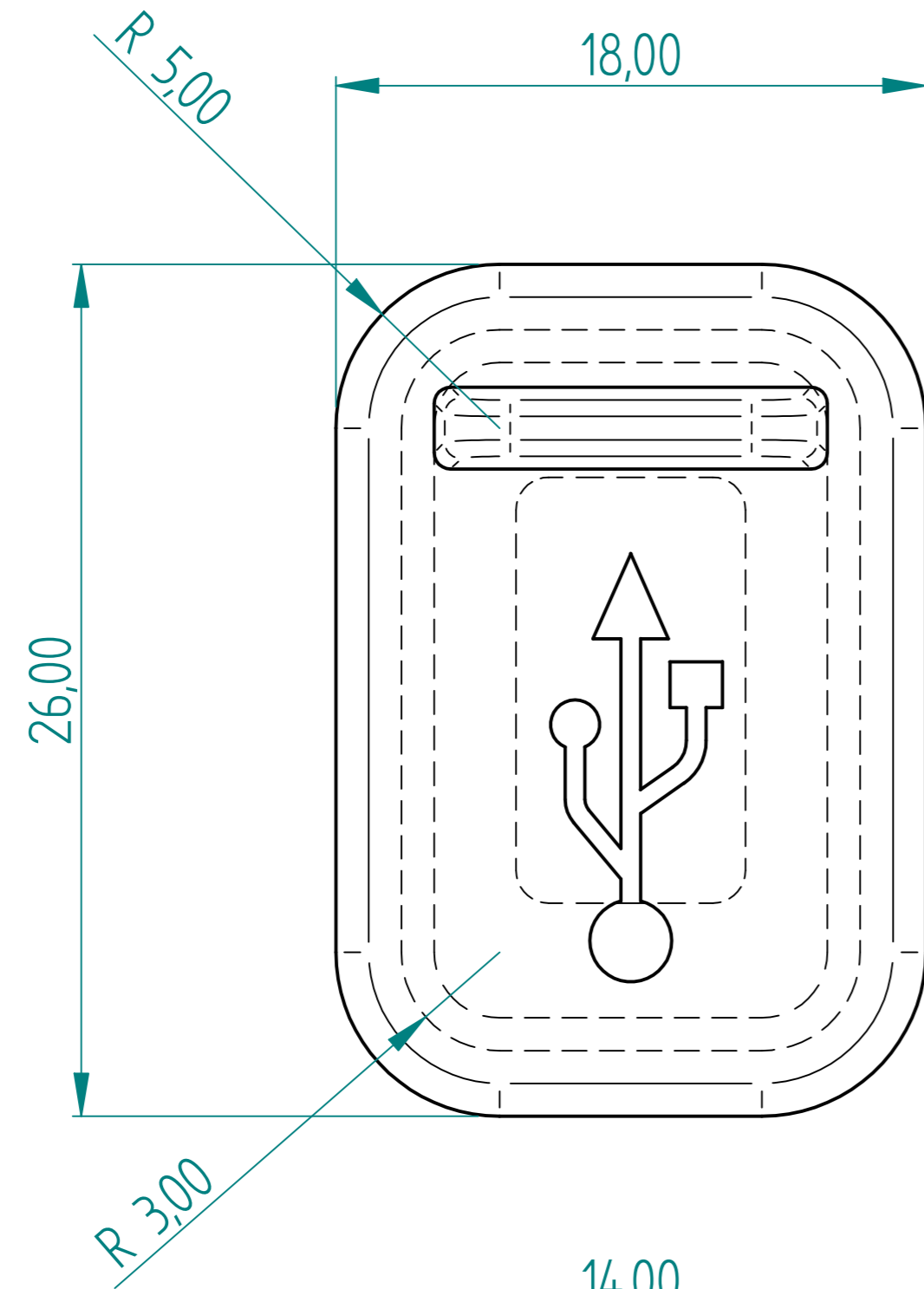
| REVISION HISTORY | | | |
|------------------|-------------|------|----------|
| REV | DESCRIPTION | DATE | APPROVED |
| | | | |



BACK COVER SEAL

| | | | | |
|---|------|----------|--------------------------|----------------|
| | NAME | DATE | AGRIGEL | |
| DRAWN | Dan | 07/25/09 | TITLE | |
| APPROVED | | | 8 ROW DISPLAY BOX | |
| MATERIAL | | | SIZE | DWG NO |
| TREATMENT | | | A4 | |
| UNLESS OTHERWISE SPECIFIED DIMENSIONS ARE IN MILLIMETERS | | | FILE NAME: Box 8 Row.dft | REV |
| 1 st ANGLE ANGLES $\pm 0,1^\circ$ | | | SCALE: | WEIGHT: |
| 2 PL $\pm 0,02$ 3 PL $\pm 0,005$ | | | | SHEET 12 OF 16 |

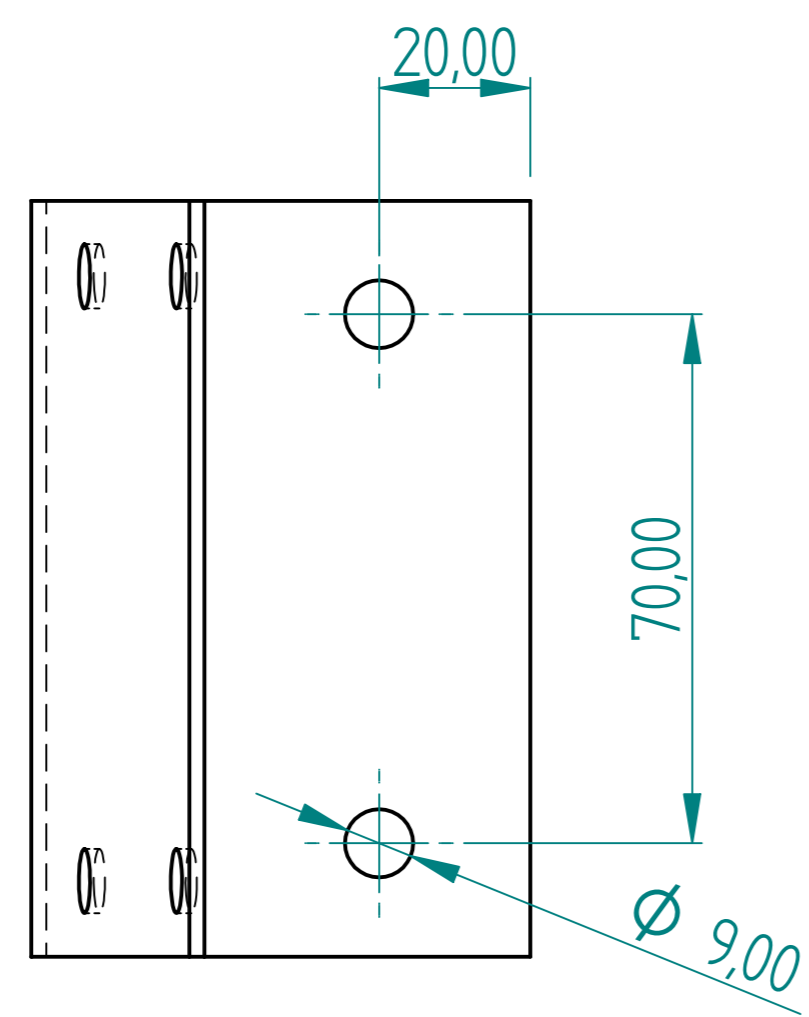
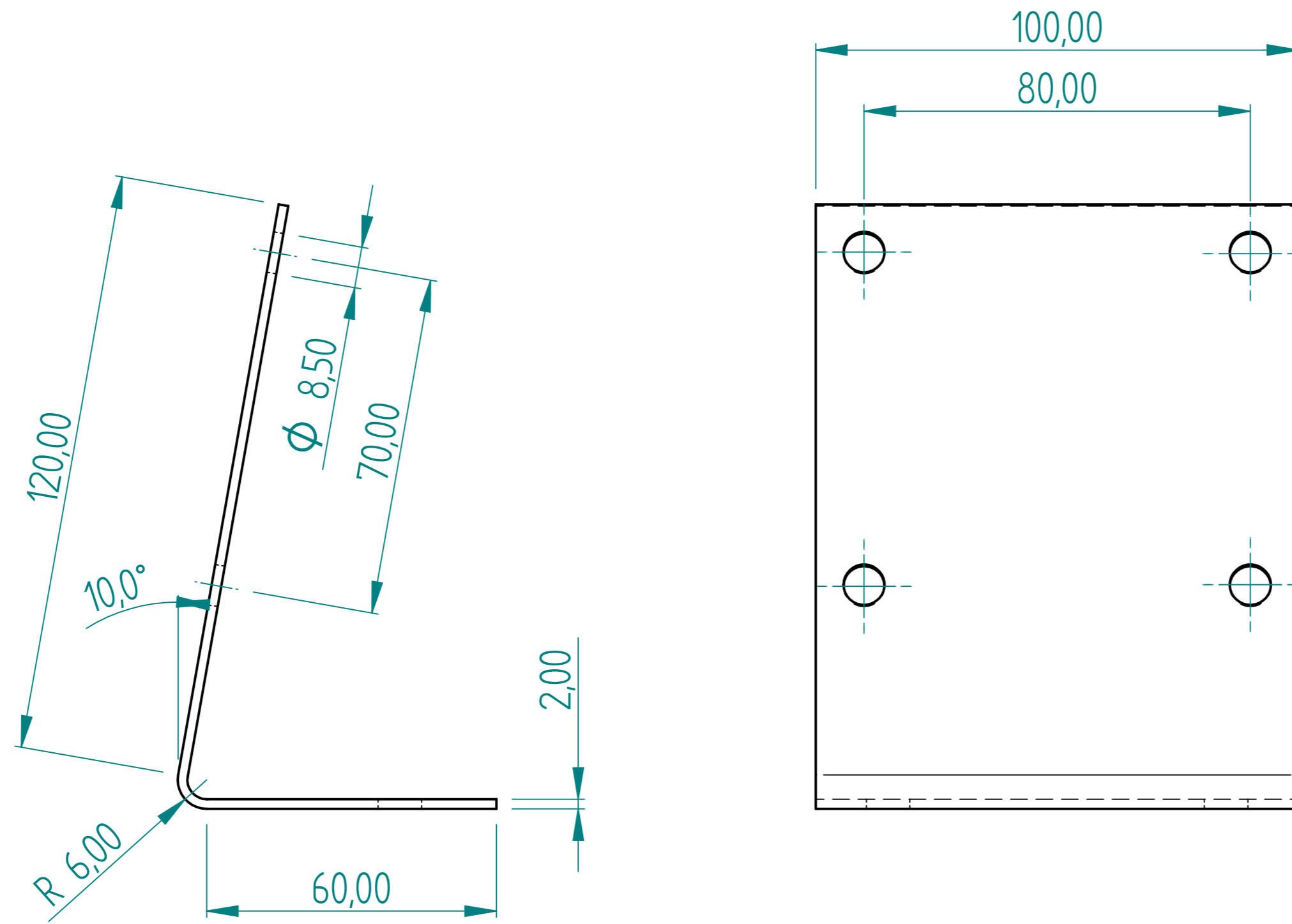
| REVISION HISTORY | | | |
|------------------|-------------|------|----------|
| REV | DESCRIPTION | DATE | APPROVED |
| | | | |



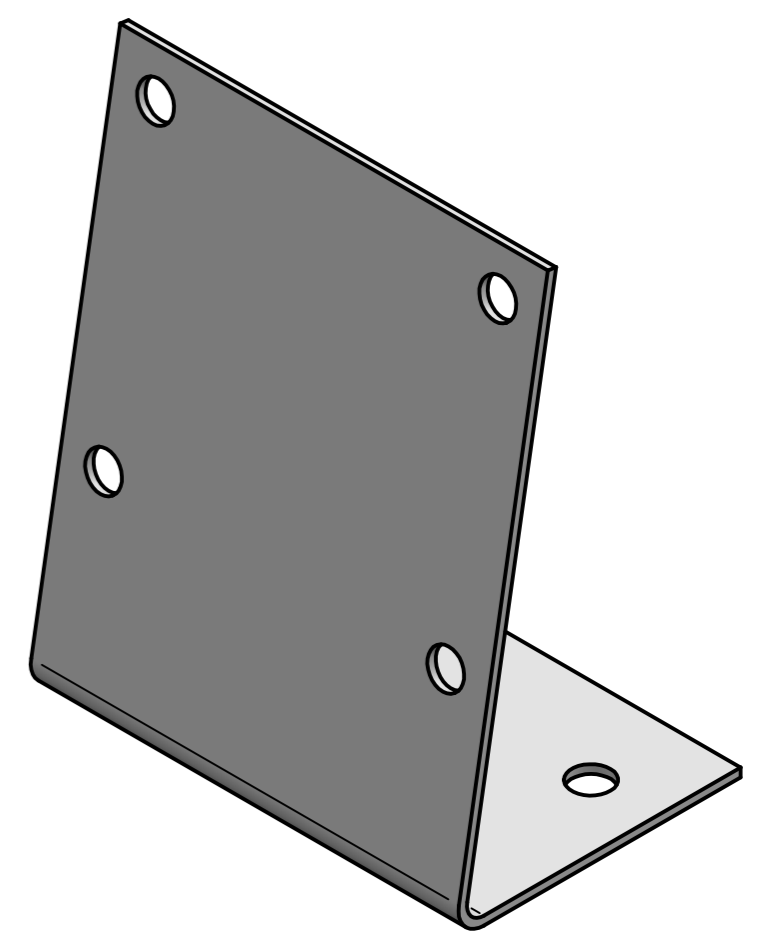
USB GROMMET

| | | | | |
|---|------|----------|--------------------------|----------------|
| | NAME | DATE | AGRIGEL | |
| DRAWN | Dan | 07/25/09 | TITLE | |
| APPROVED | | | 8 ROW DISPLAY BOX | |
| MATERIAL | | | SIZE | DWG NO |
| TREATMENT | | | A4 | |
| UNLESS OTHERWISE SPECIFIED DIMENSIONS ARE IN MILLIMETERS | | | FILE NAME: Box 8 Row.dft | REV |
| 1st ANGLE ANGLES ±0,1° | | | SCALE: | WEIGHT: |
| 2 PL ±0.02 3 PL ±0.005 | | | | SHEET 13 OF 16 |

| REVISION HISTORY | | | |
|------------------|-------------|------|----------|
| REV | DESCRIPTION | DATE | APPROVED |
| | | | |

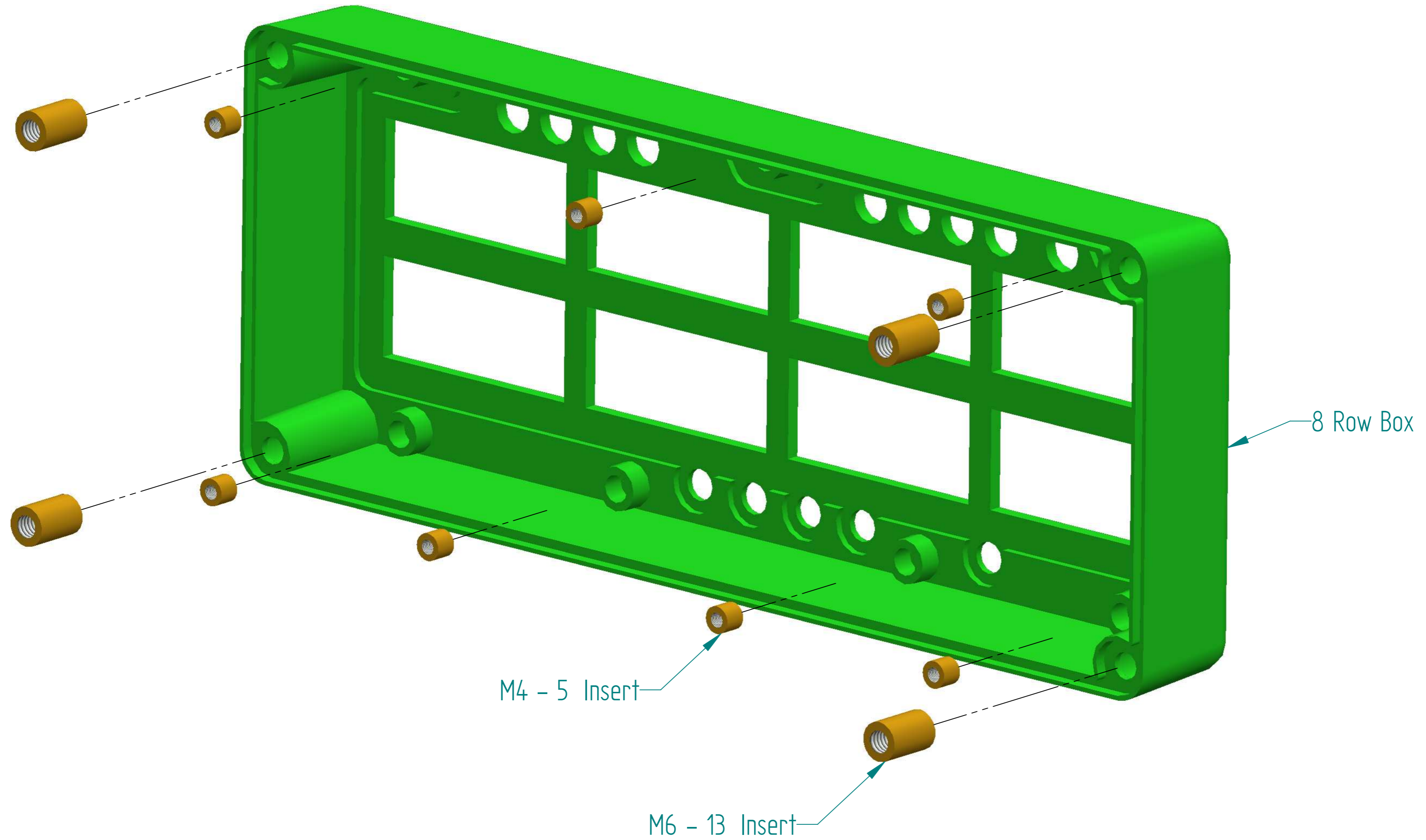


MOUNTING PLATE



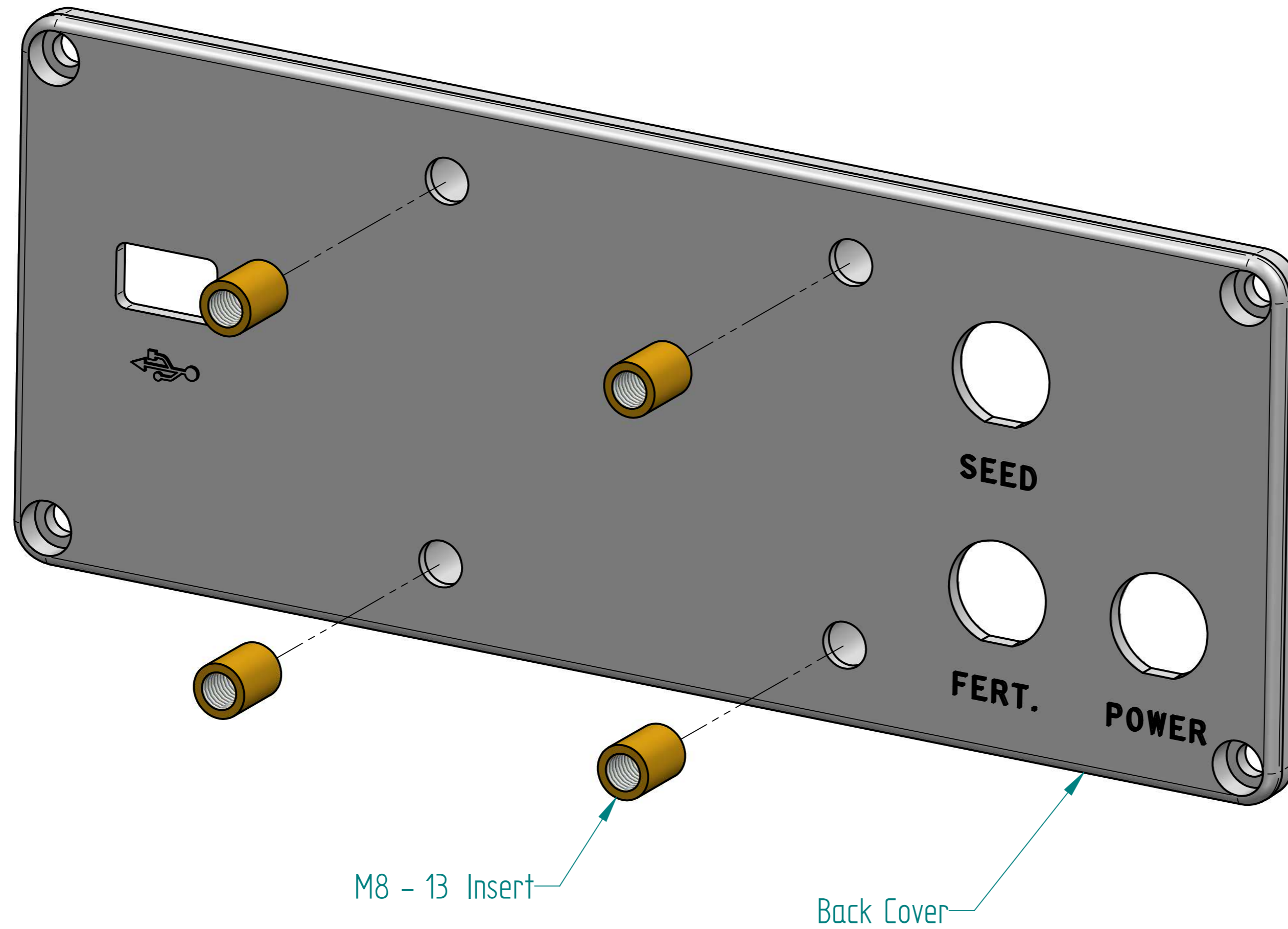
| | | | | |
|---|------|----------|--------------------------|----------------|
| | NAME | DATE | AGRIGEL | |
| DRAWN | Dan | 07/25/09 | TITLE | |
| APPROVED | | | 8 ROW DISPLAY BOX | |
| MATERIAL | | | SIZE | DWG NO |
| TREATMENT | | | A4 | |
| UNLESS OTHERWISE SPECIFIED DIMENSIONS ARE IN MILLIMETERS | | | FILE NAME: Box 8 Row.dft | REV |
| 1 st ANGLE ANGLES $\pm 0,1^\circ$ | | | SCALE: | WEIGHT: |
| 2 PL $\pm 0,02$ 3 PL $\pm 0,005$ | | | | SHEET 14 OF 16 |

| REVISION HISTORY | | | |
|------------------|-------------|------|----------|
| REV | DESCRIPTION | DATE | APPROVED |
| | | | |



| | | | | |
|---|-------------|----------|--------------------------|-------------------|
| | NAME | DATE | AGRIGEL | |
| DRAWN | Dan | 07/25/09 | | |
| APPROVED | | | | |
| MATERIAL | | | | |
| TREATMENT | | | TITLE | 8 ROW DISPLAY BOX |
| UNLESS OTHERWISE SPECIFIED DIMENSIONS ARE IN MILLIMETERS | | | SIZE A4 | DWG NO |
| 1st ANGLE ANGLES ±0.1° | | | FILE NAME: Box 8 Row.dft | REV |
| 2 PL ±0.02 | 3 PL ±0.005 | | SCALE: | WEIGHT: |
| | | | | SHEET 15 OF 16 |

| REVISION HISTORY | | | |
|------------------|-------------|------|----------|
| REV | DESCRIPTION | DATE | APPROVED |
| | | | |



| | | | | | |
|---|------|----------|----------------------------|---------|----------------|
| | NAME | DATE | AGRIGEL | | |
| DRAWN | Dan | 07/25/09 | | | |
| APPROVED | | | TITLE 8 ROW DISPLAY BOX | | |
| MATERIAL | | | | | |
| TREATMENT | | | SIZE A4 | DWG NO | REV |
| UNLESS OTHERWISE SPECIFIED DIMENSIONS ARE IN MILLIMETERS | | | FILE NAME: Box 8 Row.dft | | |
| 1st ANGLE ANGLES ±0.1° | | | SCALE: | WEIGHT: | SHEET 16 OF 16 |
| 2 PL ±0.02 3 PL ±0.005 | | | | | |