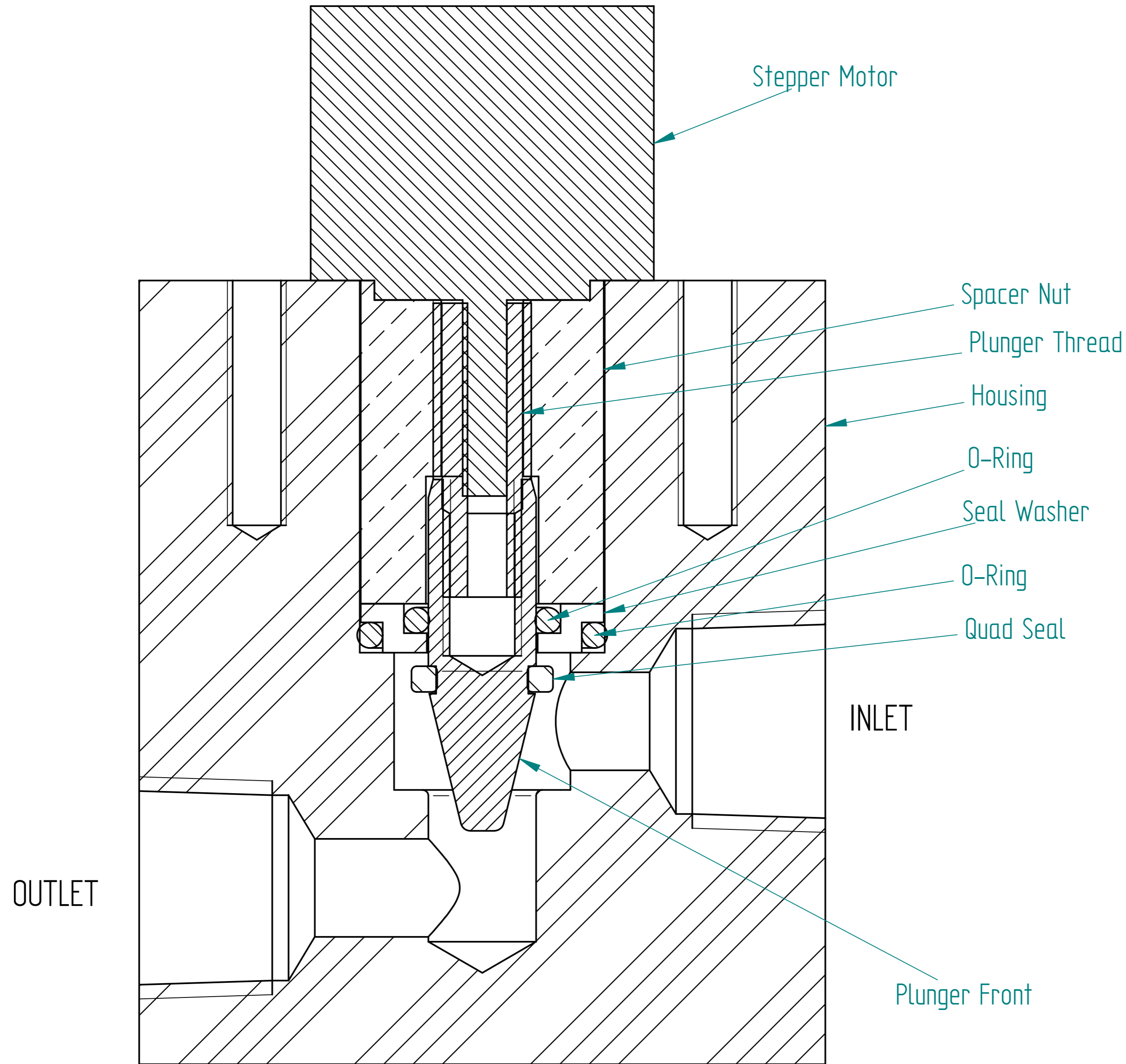


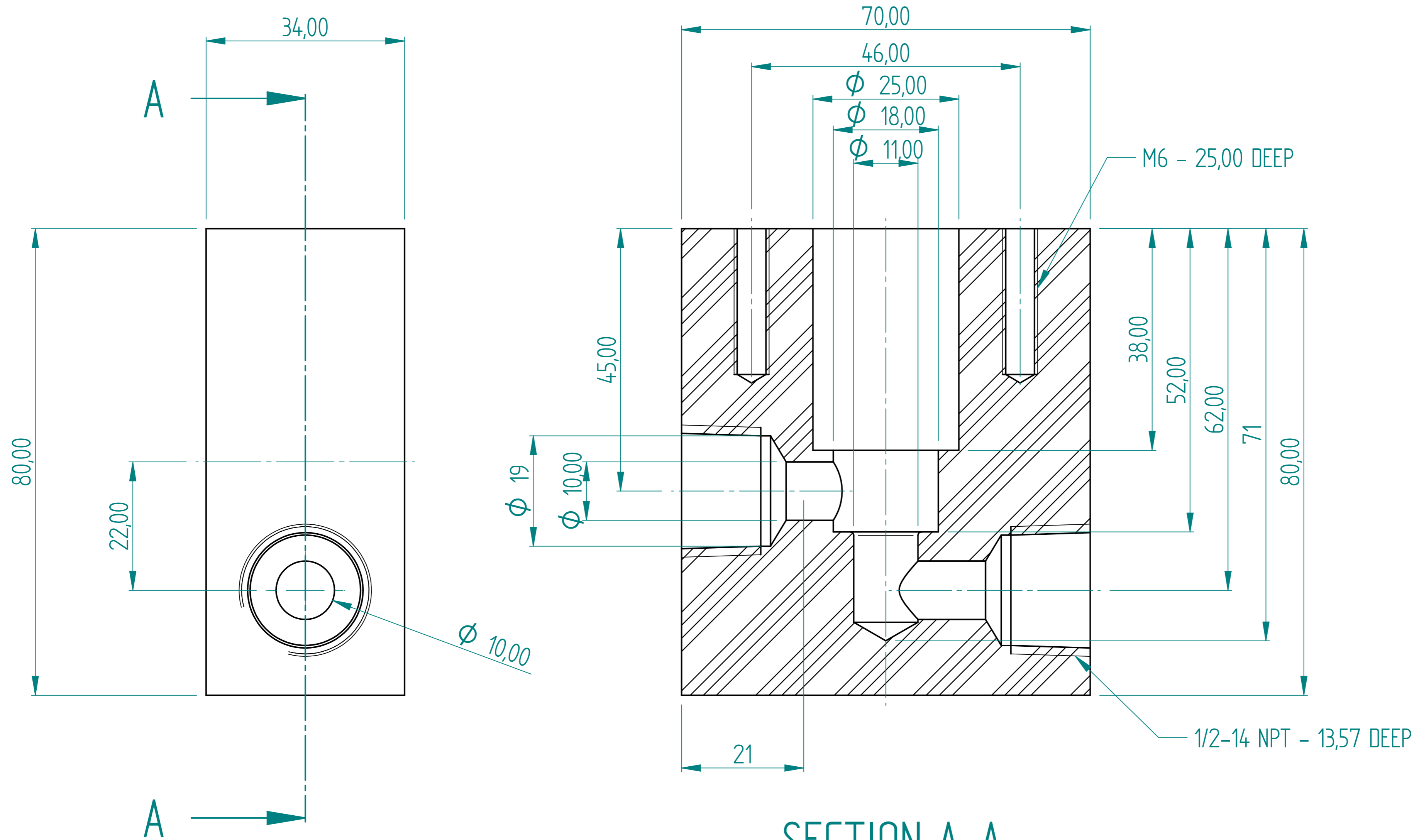
REVISION HISTORY			
REV	DESCRIPTION	DATE	APPROVED



FLOW CONTROL VALVE

	NAME	DATE	AGRIGEL	
DRAWN	Dan	01/19/11	TITLE	
APPROVED				
MATERIAL				
TREATMENT				
UNLESS OTHERWISE SPECIFIED DIMENSIONS ARE IN MILLIMETERS			SIZE A4	DWG NO
1st ANGLE ANGLES ±0.1°			FILE NAME: Flow Control Valve Proto Type.dft	
2 PL ±0.02 3 PL ±0.005			SCALE:	WEIGHT: SHEET 1 OF 6

REVISION HISTORY			
REV	DESCRIPTION	DATE	APPROVED

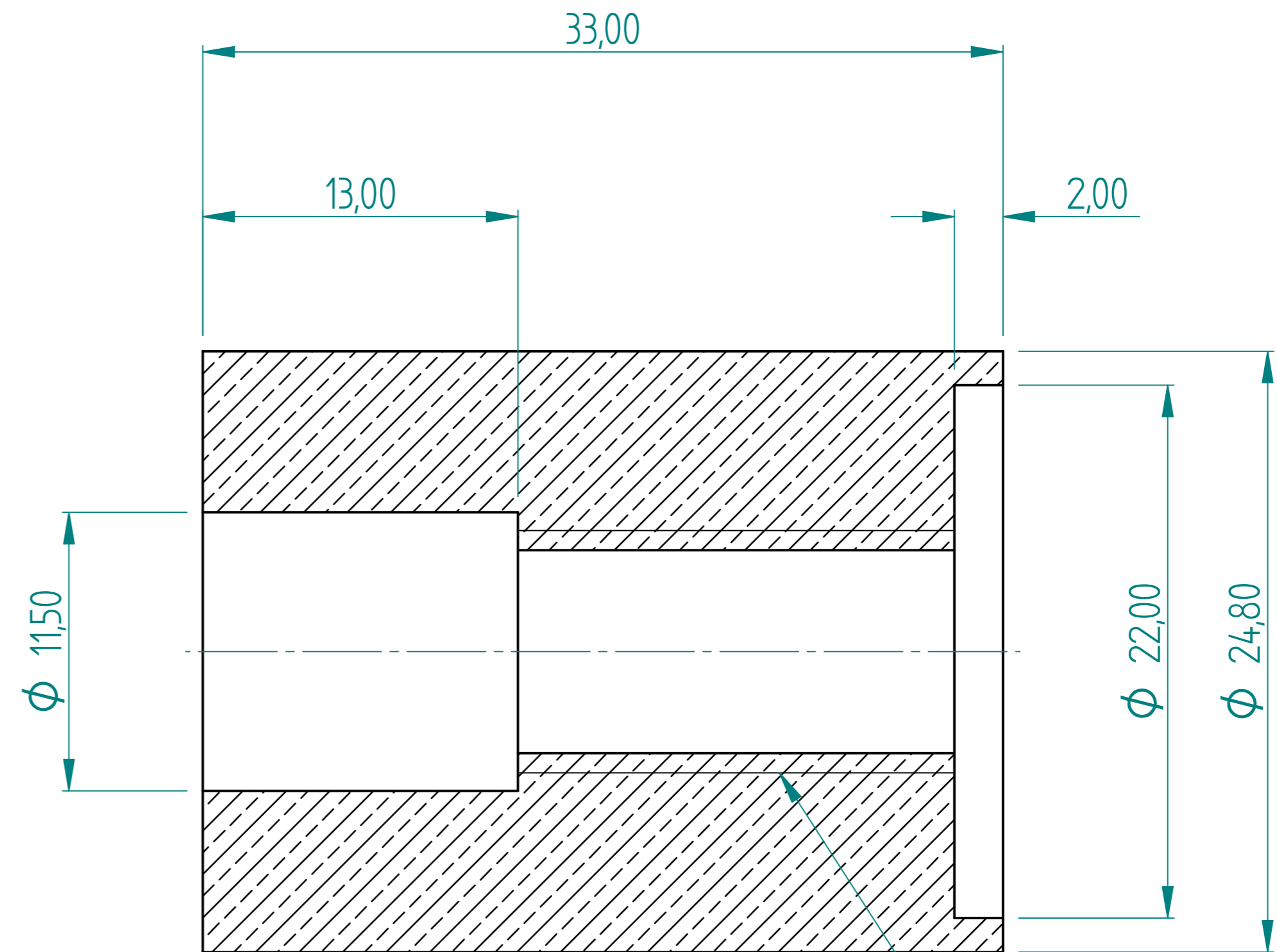
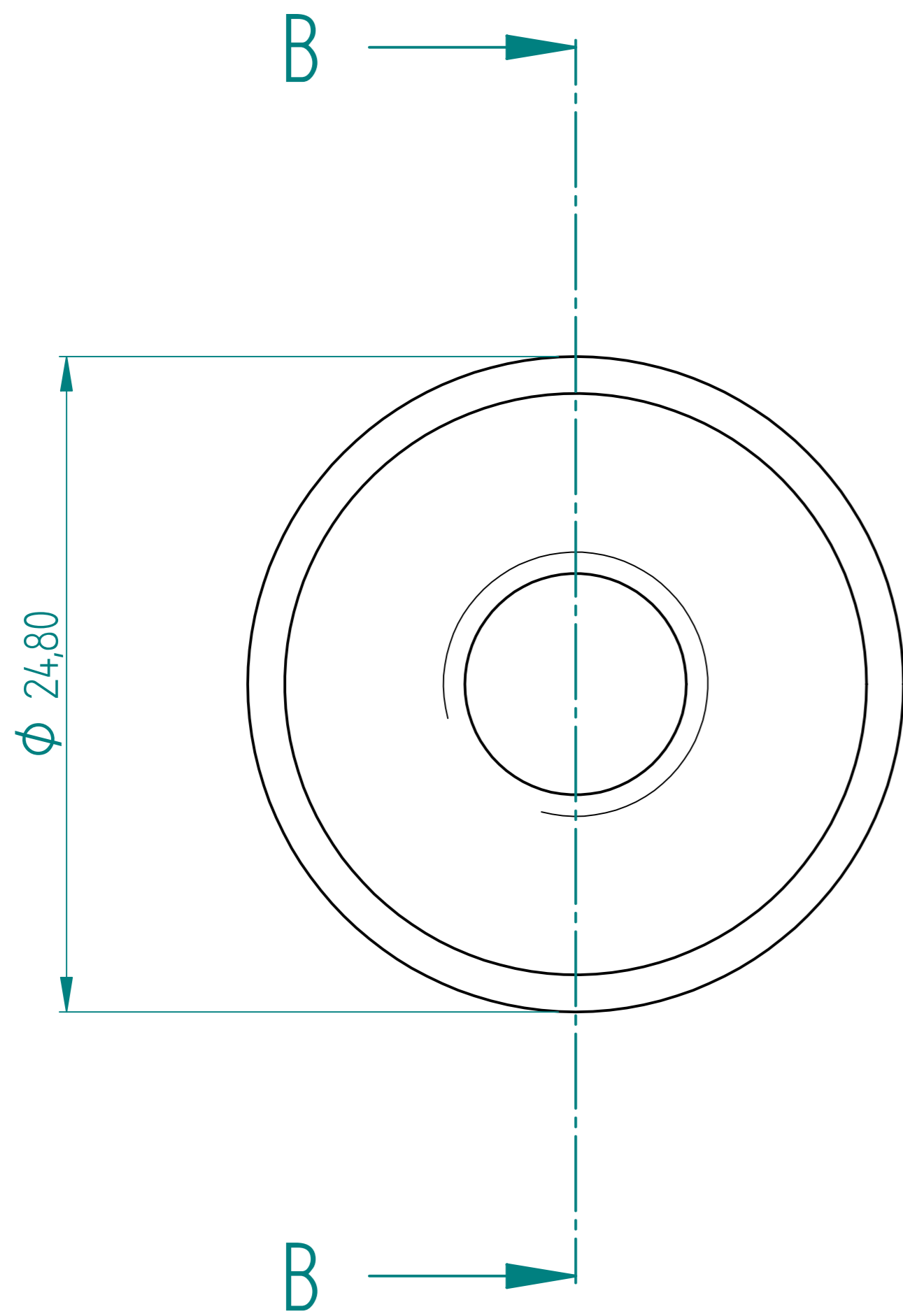


SECTION A-A

HOUSING

DRAWN	NAME	DATE	AGRIGEL	
APPROVED	Dan	01/19/11		
MATERIAL			TITLE	
TREATMENT			REV	
UNLESS OTHERWISE SPECIFIED DIMENSIONS ARE IN MILLIMETERS			SIZE A4	DWG NO
1st ANGLE ANGLES ±0,1°			FILE NAME: Flow Control Valve Proto Type.dft	
2 PL ±0,02 3 PL ±0,005			SCALE:	WEIGHT: SHEET 2 OF 6

REVISION HISTORY			
REV	DESCRIPTION	DATE	APPROVED



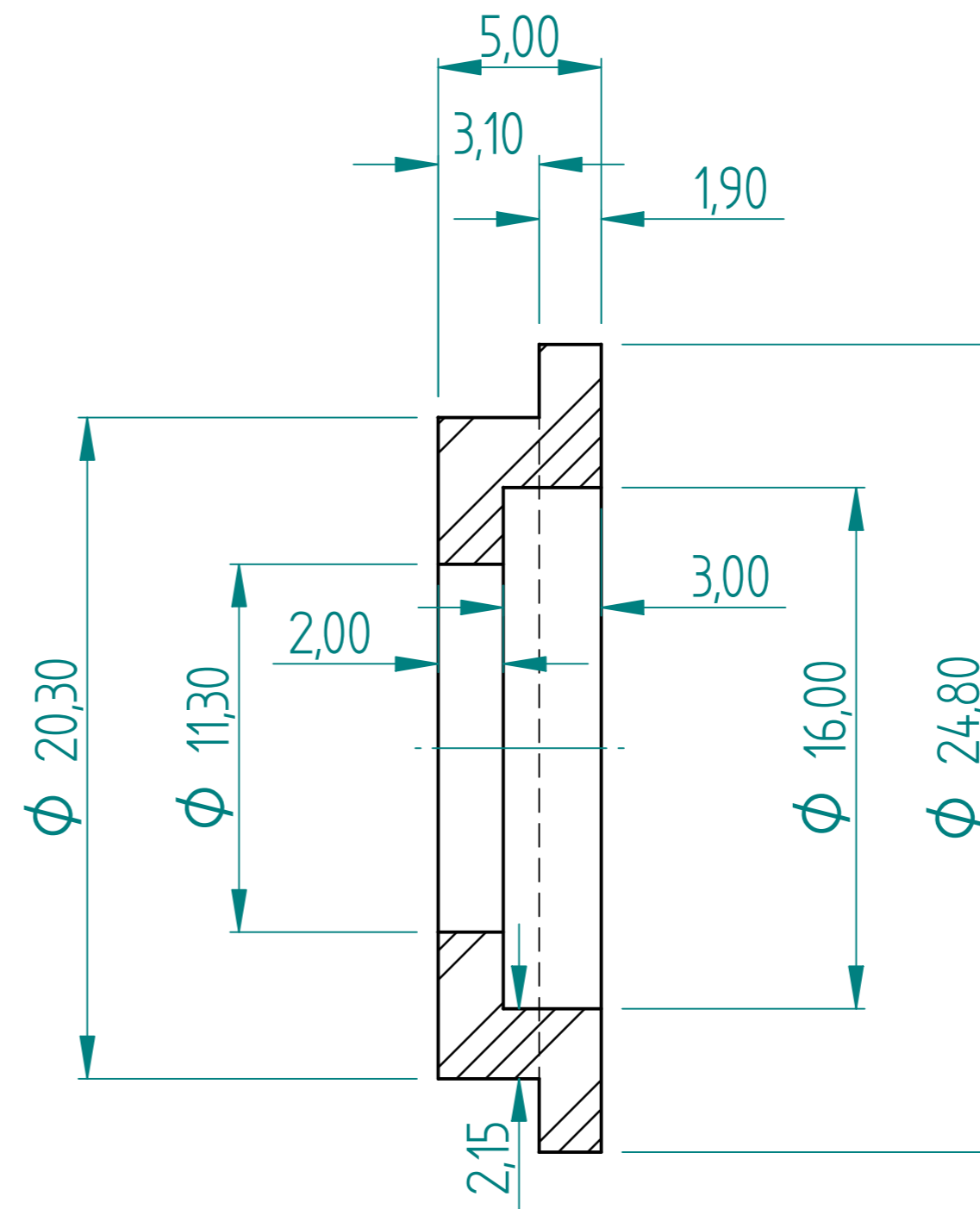
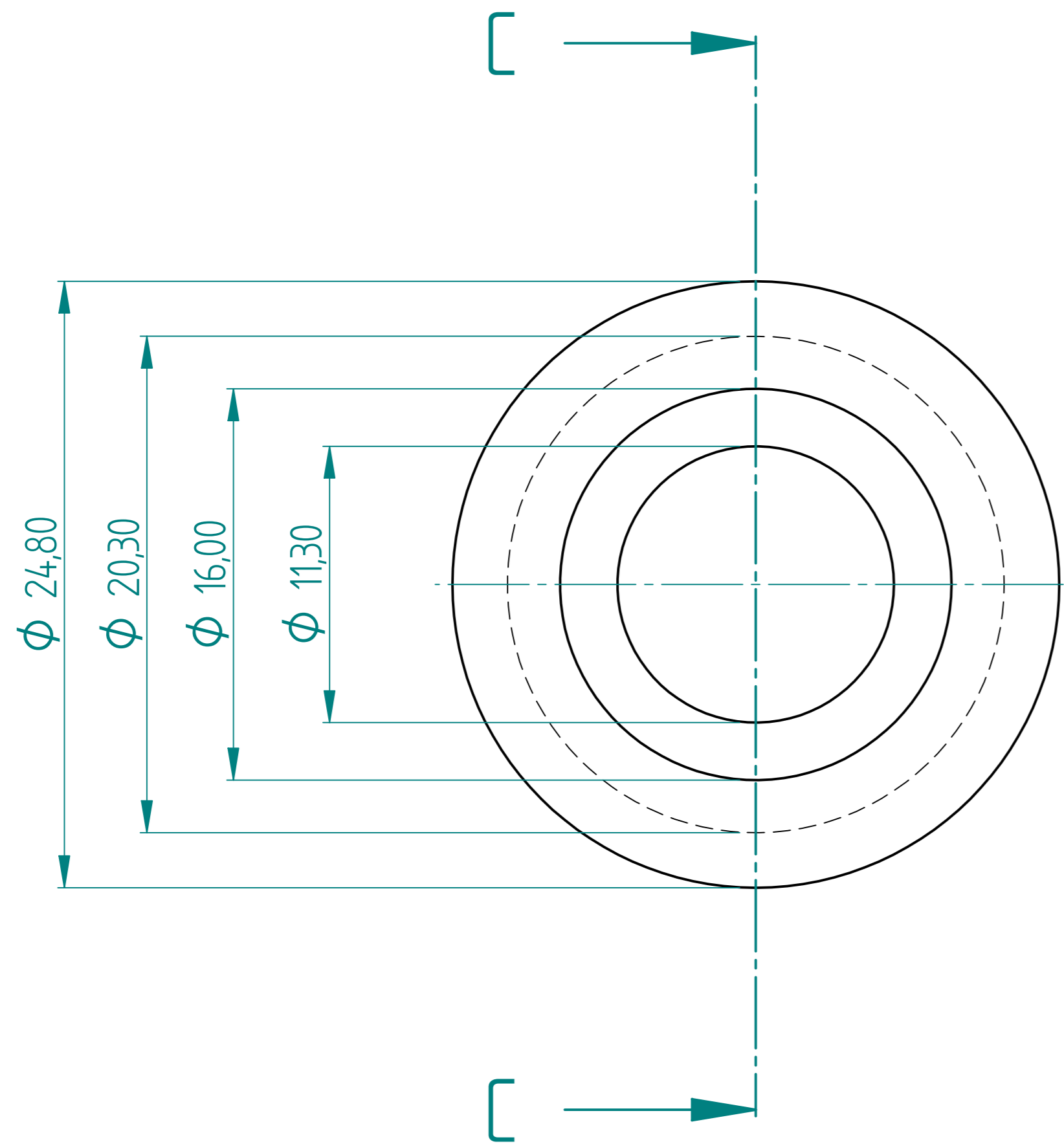
SECTION B-B

M10

SPACER NUT

	NAME	DATE	AGRIGEL	
DRAWN	Dan	01/19/11		
APPROVED				
MATERIAL				
TREATMENT			TITLE	
UNLESS OTHERWISE SPECIFIED DIMENSIONS ARE IN MILLIMETERS			SIZE A4	DWG NO
1st ANGLE ANGLES $\pm 0,1^\circ$			FILE NAME: Flow Control Valve Proto Type.dft	REV
2 PL $\pm 0,02$ 3 PL $\pm 0,005$			SCALE:	WEIGHT:
			SHEET 3 OF 6	

REVISION HISTORY			
REV	DESCRIPTION	DATE	APPROVED

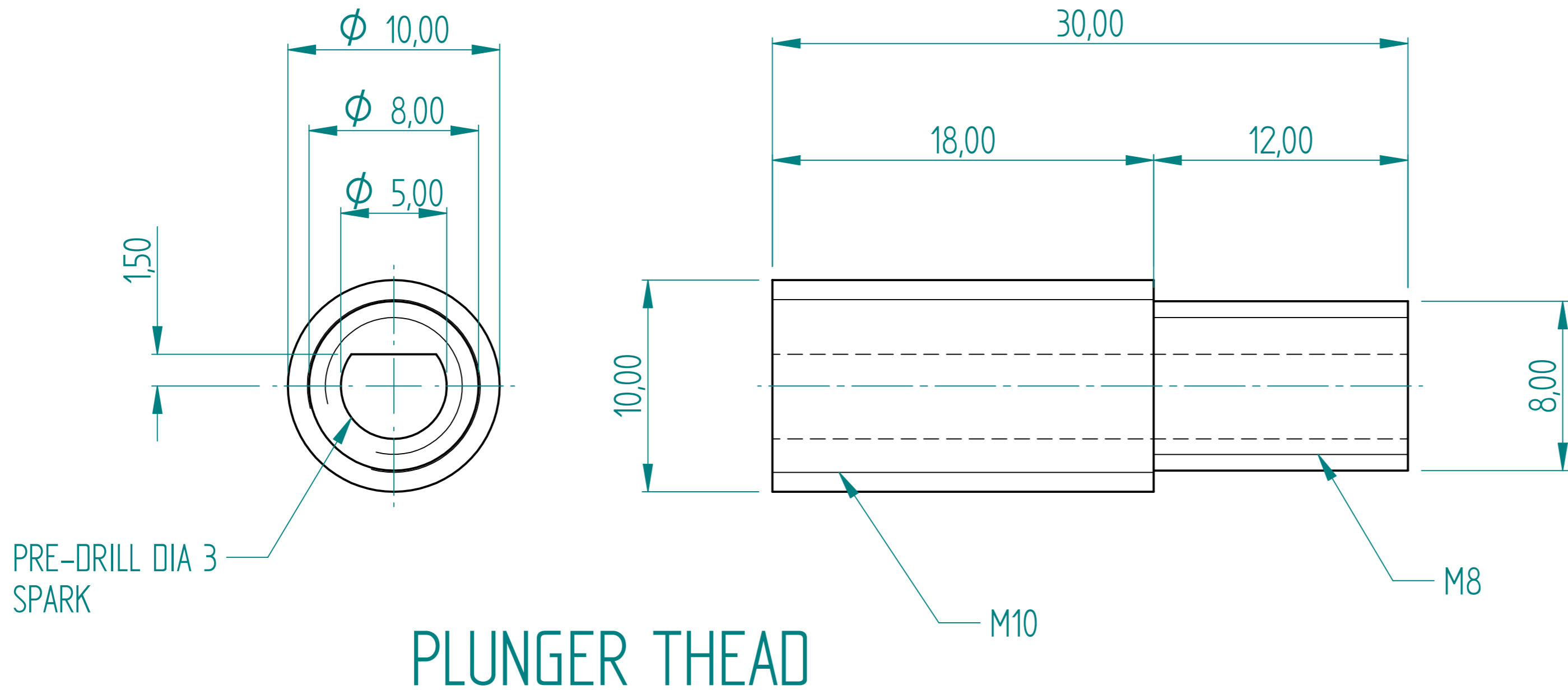


SECTION C-C

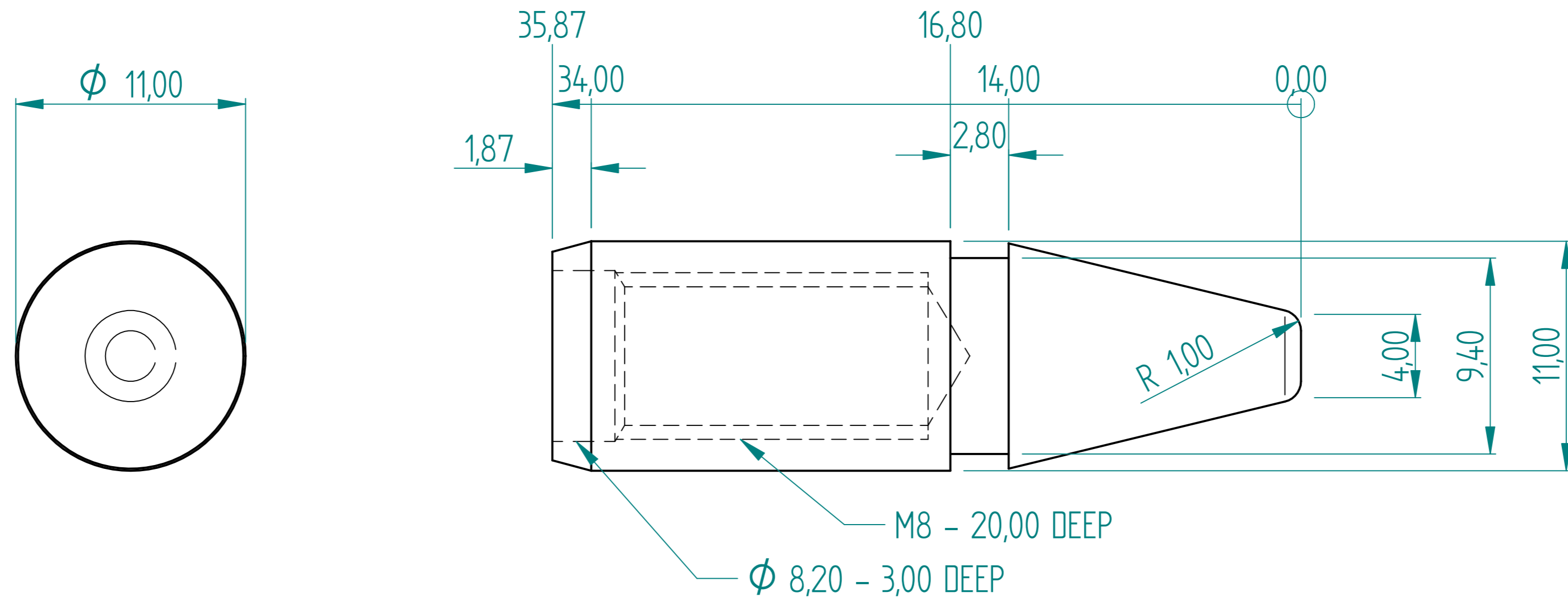
SEALING WASHER

	NAME	DATE	AGRIGEL	
DRAWN	Dan	01/19/11		
APPROVED				
MATERIAL				
TREATMENT			TITLE	
UNLESS OTHERWISE SPECIFIED DIMENSIONS ARE IN MILLIMETERS			SIZE A4	DWG NO
1 st ANGLE ANGLES ±0,1°			FILE NAME: Flow Control Valve Proto Type.dft	REV
2 PL ±0.02 3 PL ±0.005			SCALE:	WEIGHT:
			SHEET 4 OF 6	

REVISION HISTORY			
REV	DESCRIPTION	DATE	APPROVED



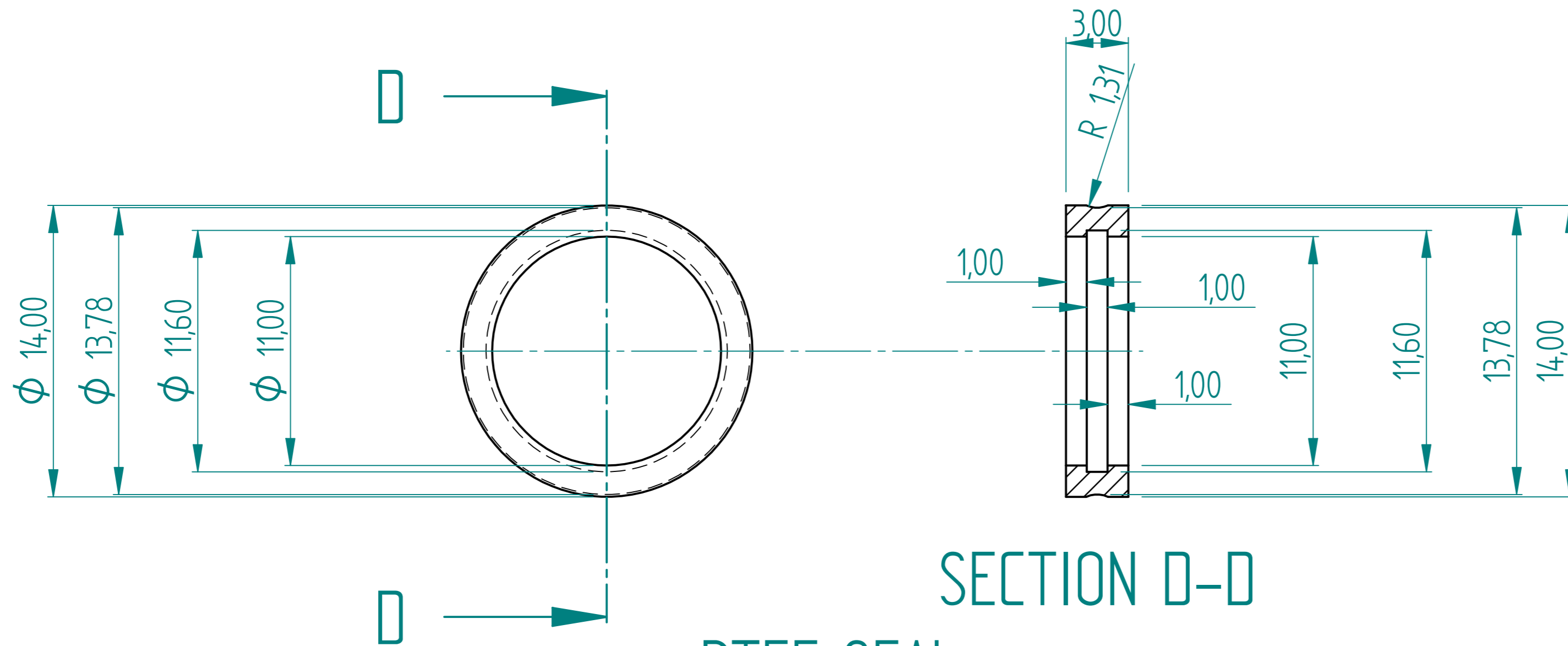
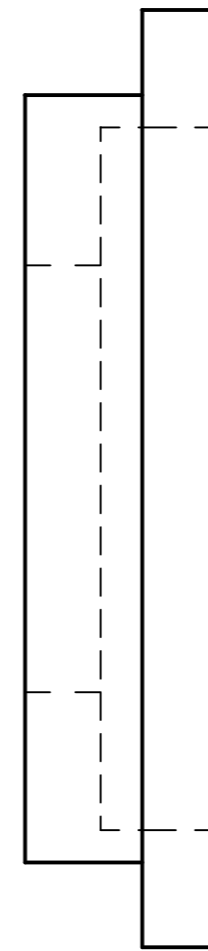
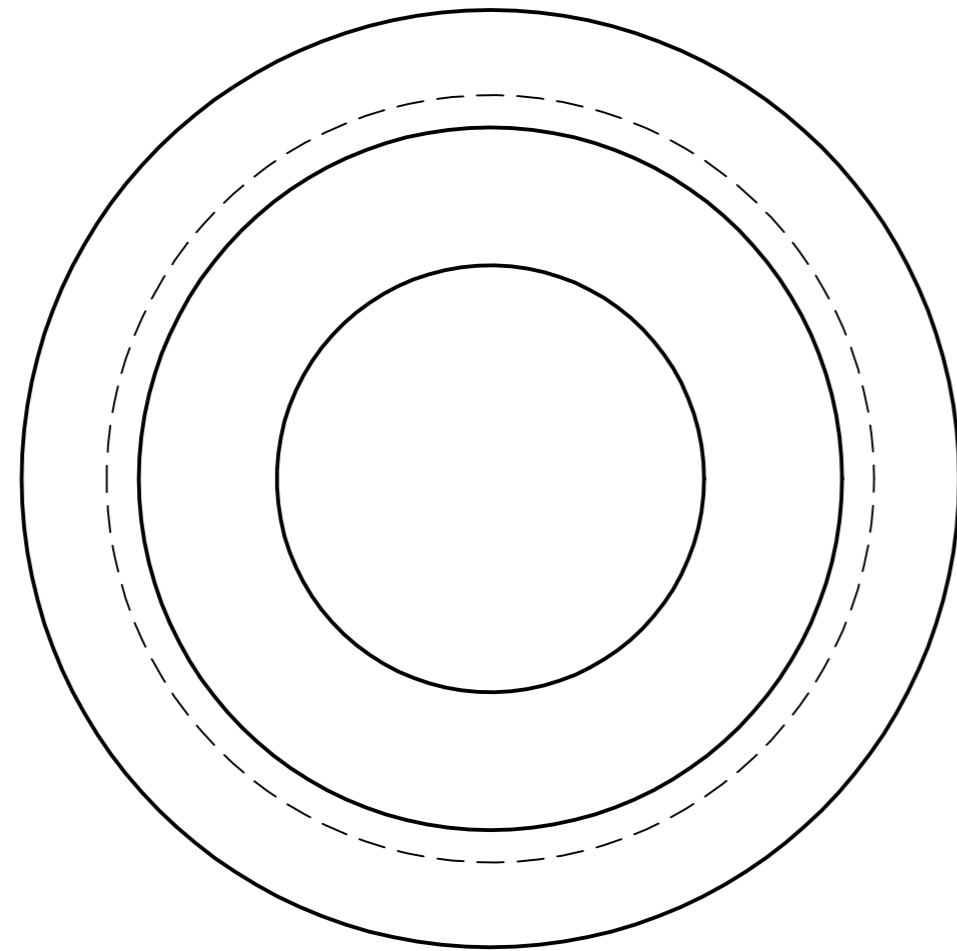
PLUNGER HEAD



PLUNGER FRONT

DRAWN	NAME	DATE	AGRIGEL		
APPROVED	Dan	01/19/11			
MATERIAL					
TREATMENT					
UNLESS OTHERWISE SPECIFIED DIMENSIONS ARE IN MILLIMETERS			SIZE A4	DWG NO	REV
1 st ANGLE ANGLES $\pm 0,1^\circ$			FILE NAME: Flow Control Valve Proto Type.dft		
2 PL $\pm 0,02$ 3 PL $\pm 0,005$			SCALE:	WEIGHT:	SHEET 5 OF 6

REVISION HISTORY			
REV	DESCRIPTION	DATE	APPROVED



SECTION D-D
PTFE SEAL

DRAWN	NAME	DATE	AGRIGEL		
APPROVED	Dan	01/19/11			
MATERIAL					
TREATMENT					
UNLESS OTHERWISE SPECIFIED DIMENSIONS ARE IN MILLIMETERS			SIZE A4	DWG NO	REV
1 st ANGLE ANGLES ±0.1°			FILE NAME: Flow Control Valve Proto Type.dft		
2 PL ±0.02 3 PL ±0.005			SCALE:	WEIGHT:	SHEET 6 OF 6