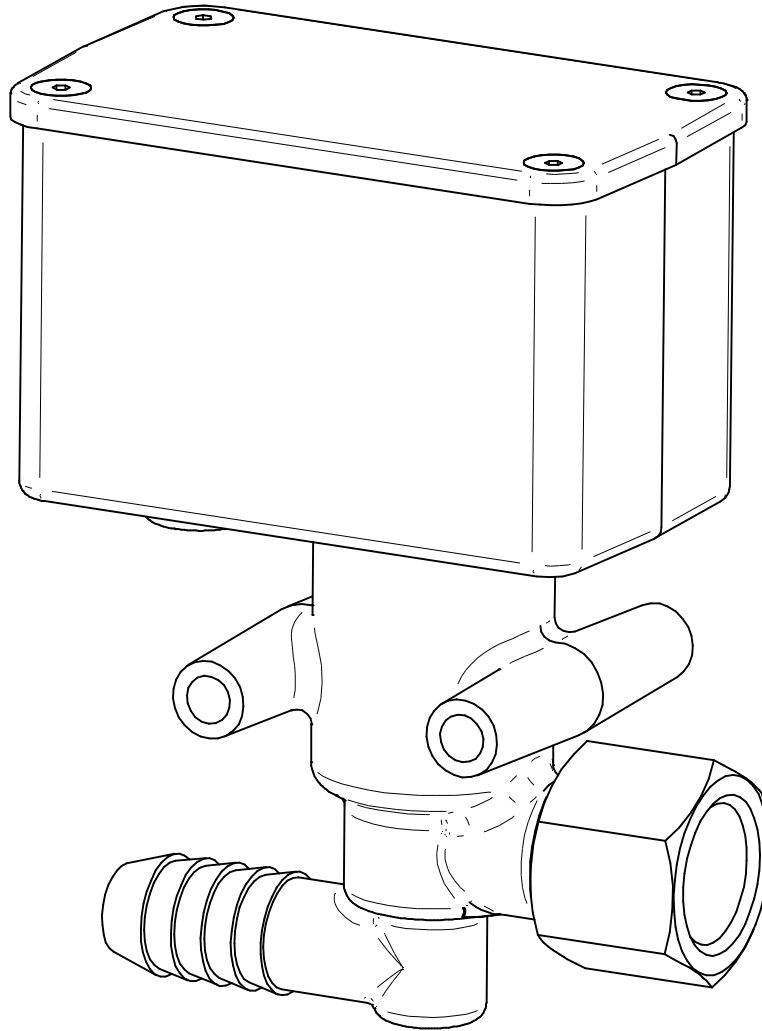


REVISION HISTORY			
REV	DESCRIPTION	DATE	APPROVED



**FLOW CONTROL VALVE**

	NAME	DATE	<b>AGRIGEL</b>	
DRAWN	Dan	06/14/11	TITLE	
APPROVED				
MATERIAL				
TREATMENT				
UNLESS OTHERWISE SPECIFIED DIMENSIONS ARE IN MILLIMETERS ANGLES ±0.1°			SIZE <b>A4</b>	DWG NO
2 PL ±0.02 3 PL ±0.005			FILE NAME: Flow Control Valve.dft	REV
SCALE:			WEIGHT:	SHEET 1 OF 2

