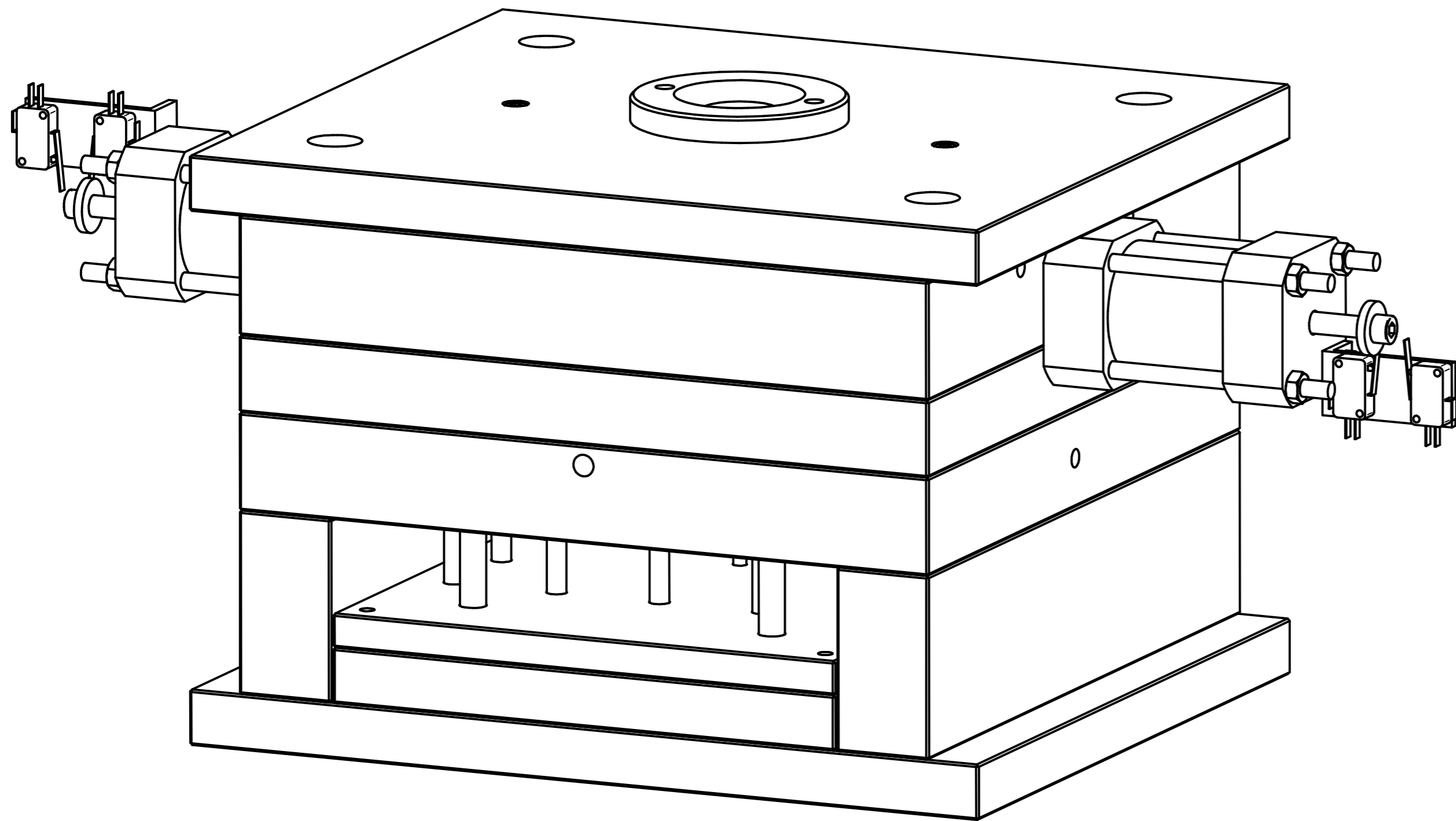
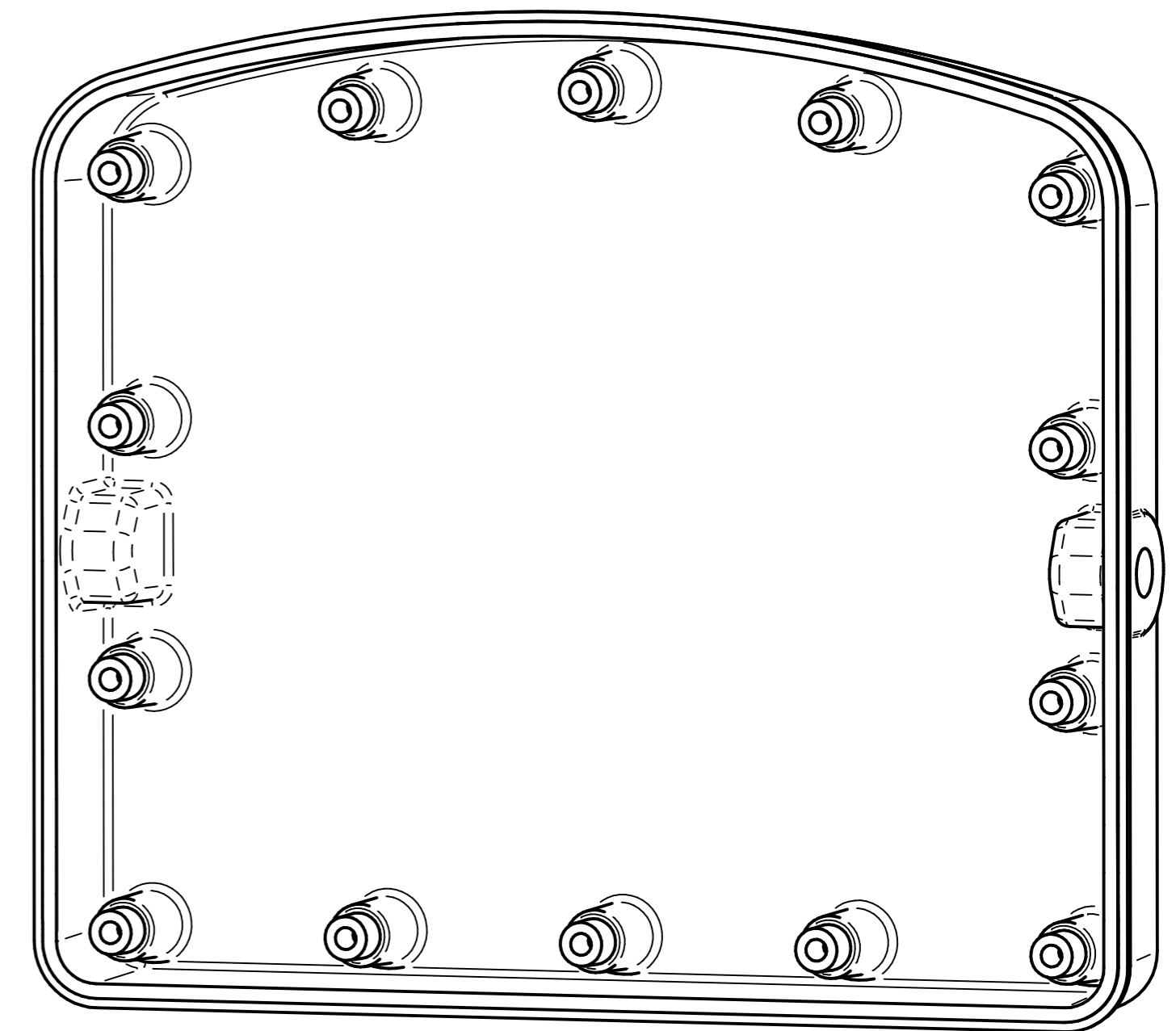


REVISION HISTORY			
REV	DESCRIPTION	DATE	APPROVED



Back Cover Mould
350 x 350 56 & 36 Die Plates
233.164 kg



Back Cover
Polypropylene, 30 % Glass Filled 0.304 kg

CORE IN BEFORE OR AFTER CLOSE
CORE OUT BEFORE OPEN
TIME. LIMIT SWITCHES
ON FIXED HALF

	NAME	DATE	AGRIGEL	
DRAWN	DG	05/05/14		
APPROVED			TITLE	
MATERIAL			Back Cover Mould	
TREATMENT			SIZE	DWG NO
UNLESS OTHERWISE SPECIFIED DIMENSIONS ARE IN MILLIMETERS			A4	
1 st ANGLE			FILE NAME: Back Cover Mould.dft	REV
2 PL ±0.02 3 PL ±0.005			SCALE:	WEIGHT:
			SHEET 1 OF 13	