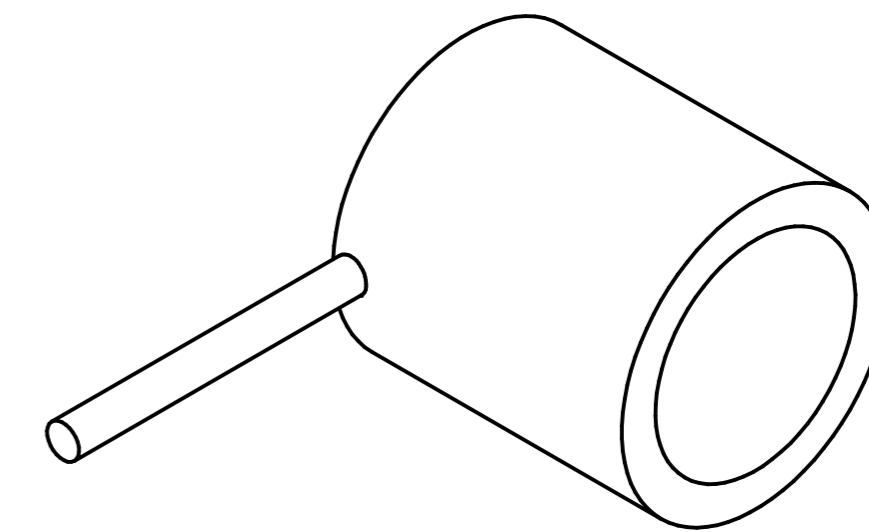
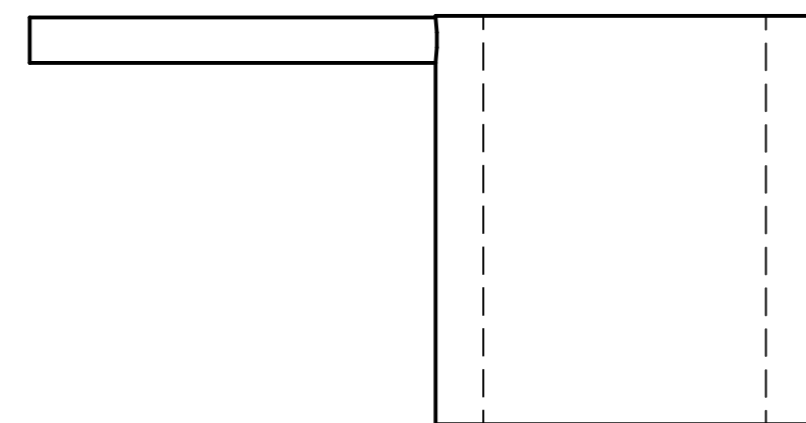
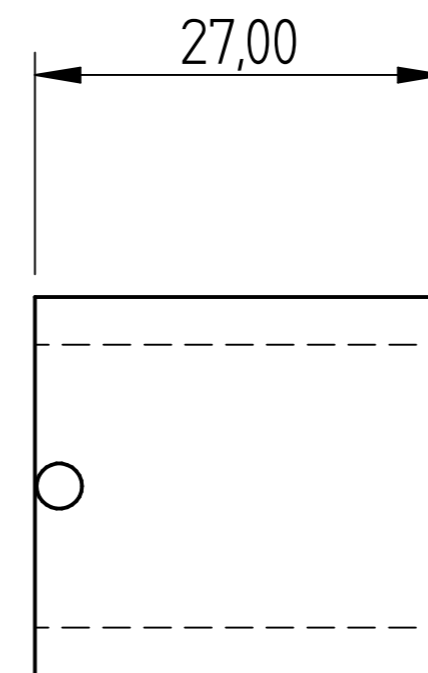
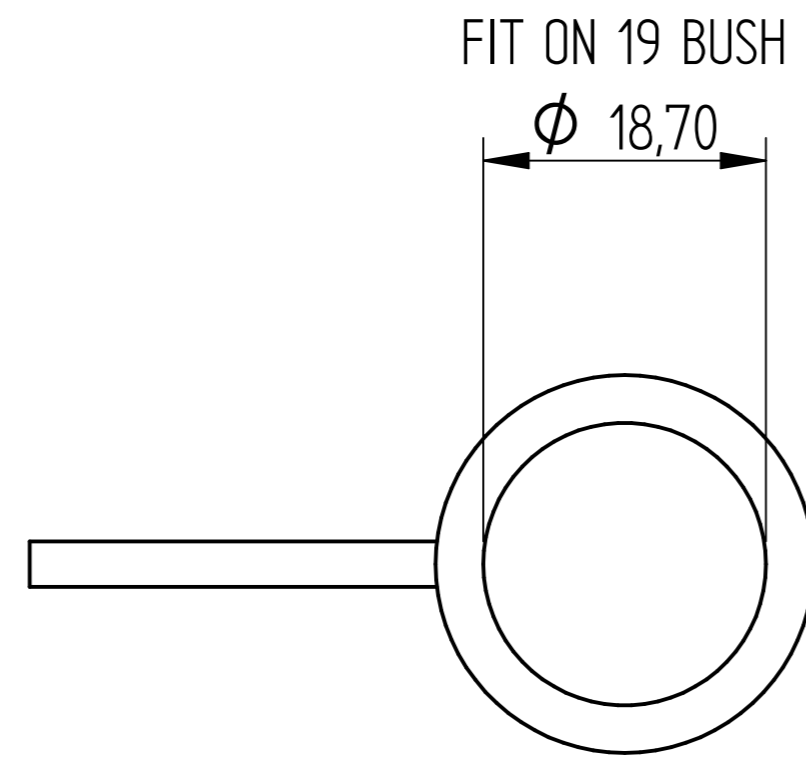


REVISION HISTORY			
REV	DESCRIPTION	DATE	APPROVED



SUPER COIL

	NAME	DATE	AGRIGEL	
DRAWN	DG	09/26/16		
APPROVED				
MATERIAL				
TREATMENT			TITLE	
			Hub Box Lid Mould	
UNLESS OTHERWISE SPECIFIED DIMENSIONS ARE IN MILLIMETERS			SIZE A4	DWG NO
1 st ANGLE			FILE NAME: Hub Box Lid Mould.dft	REV
2 PL ±0.02 3 PL ±0.005			SCALE:	WEIGHT:
			SHEET 4 OF 5	