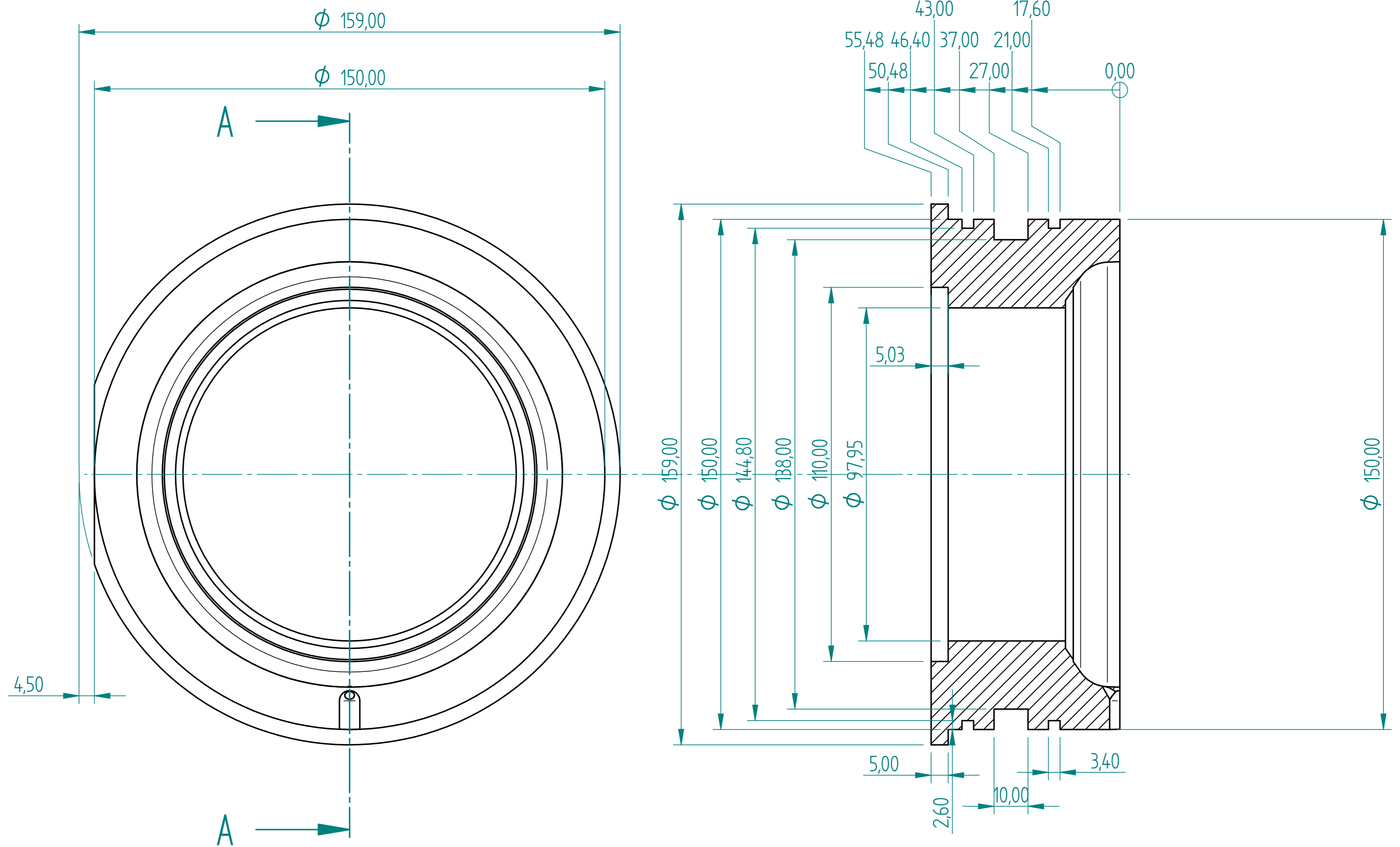


REVISION HISTORY			
REV	DESCRIPTION	DATE	APPROVED

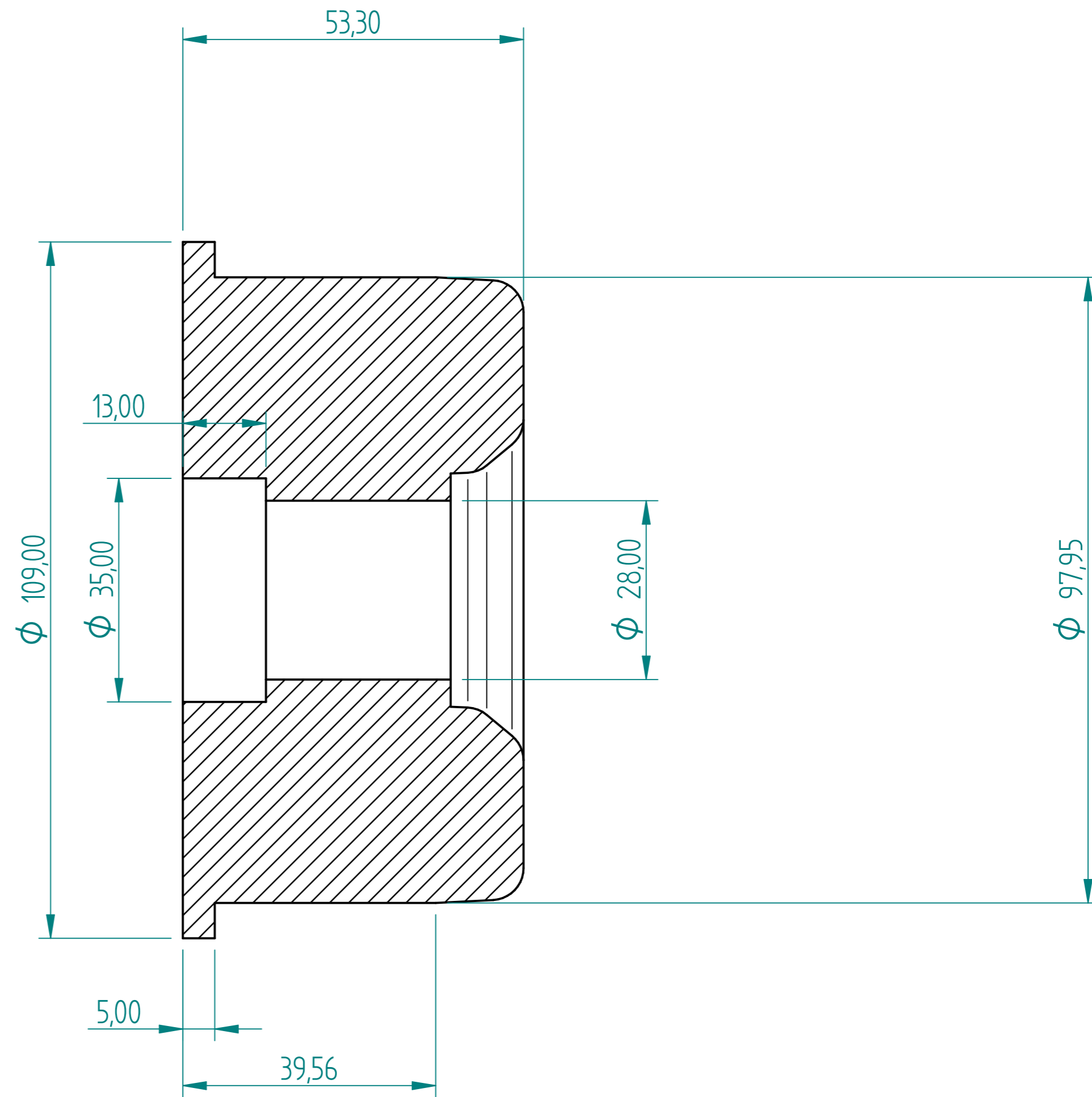
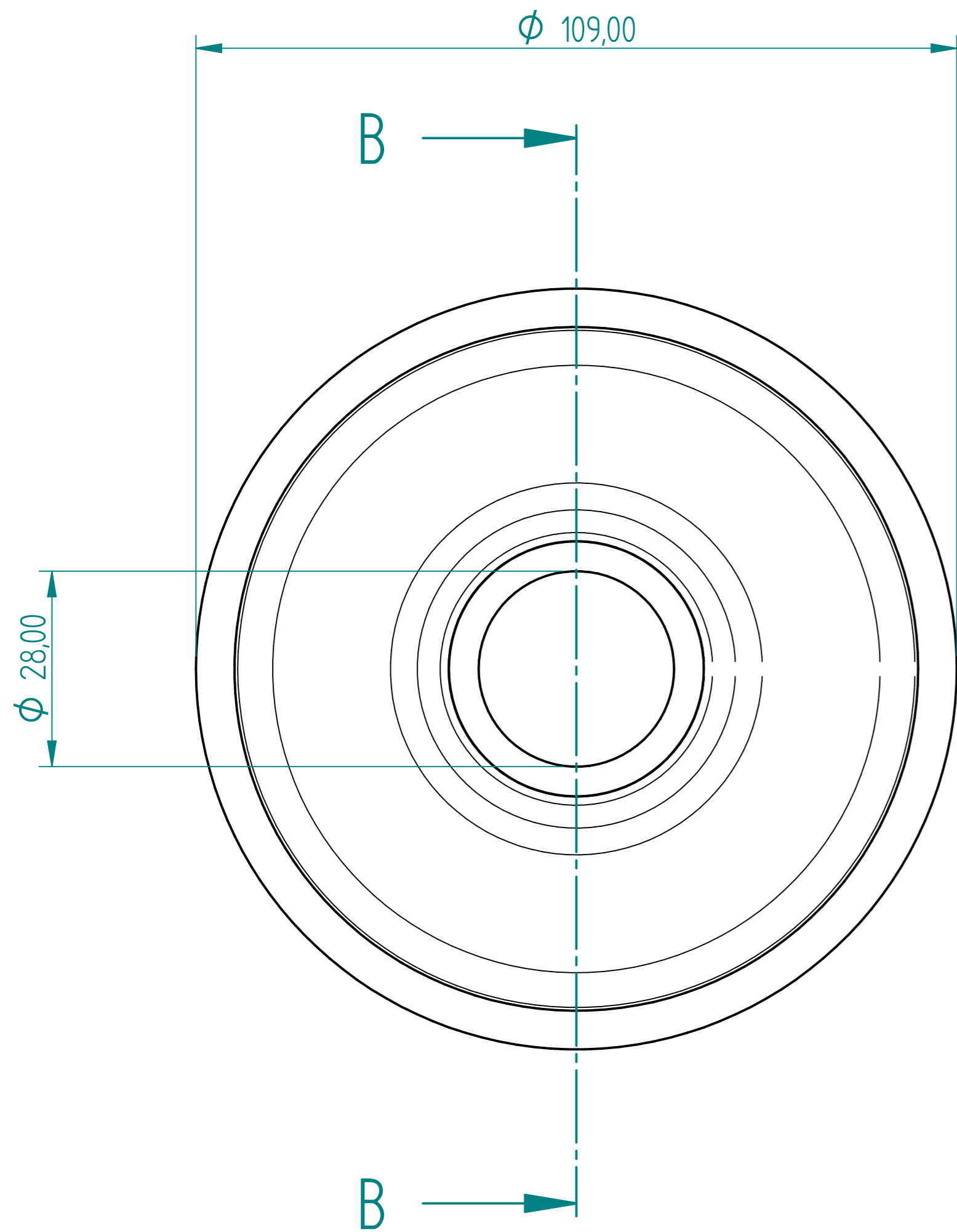


TYRE MOULD OUTER INSERT 16 OF
+25mm

SECTION A-A

DRAWN	NAME	DATE	AGRIGEL	
APPROVED	Dan	11/26/19		
MATERIAL			TITLE	
TREATMENT			PJP125X32H35H45 TYRE TURNED PARTS	
UNLESS OTHERWISE SPECIFIED DIMENSIONS ARE IN MILLIMETERS			SIZE	DWG NO
1st ANGLE ANGLES ±0.1°			A4	
2 PL ±0.02 3 PL ±0.005			FILE NAME: Turned Inserts.dft	REV
SCALE:		WEIGHT:	SHEET 1 OF 4	

REVISION HISTORY			
REV	DESCRIPTION	DATE	APPROVED

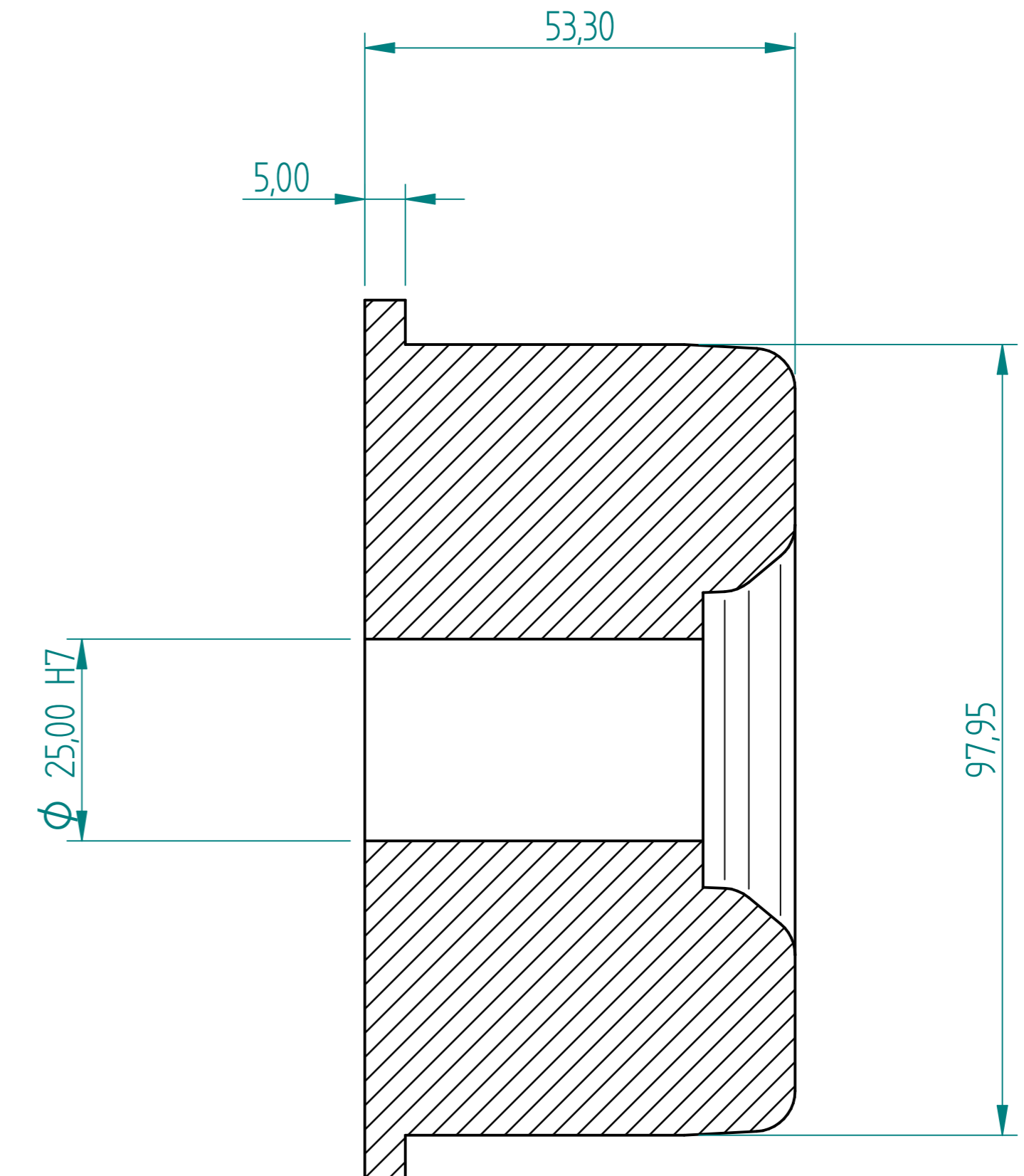
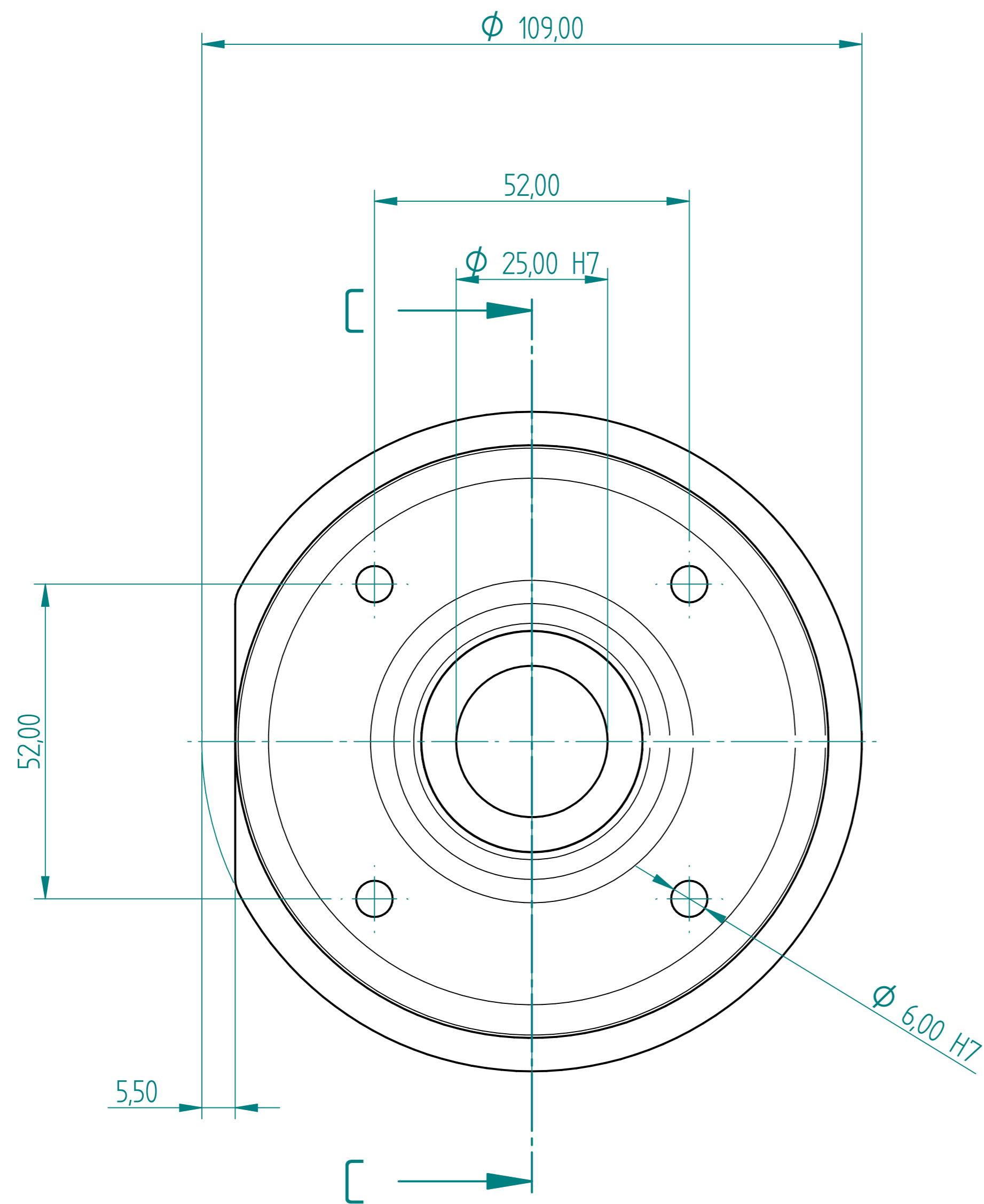


FH Mid Insert 8 OF
+25mm

SECTION B-B

	NAME	DATE	AGRIGEL		
DRAWN	Dan	11/26/19			
APPROVED			TITLE PJP125X32H35H45 TYRE TURNED PARTS		
MATERIAL					
TREATMENT			SIZE A4	DWG NO	REV
UNLESS OTHERWISE SPECIFIED DIMENSIONS ARE IN MILLIMETERS			FILE NAME: Turned Inserts.dft		
1 st ANGLE ANGLES $\pm 0,1^\circ$			SCALE:	WEIGHT:	SHEET 2 OF 4
2 PL $\pm 0,02$ 3 PL $\pm 0,005$					

REVISION HISTORY			
REV	DESCRIPTION	DATE	APPROVED

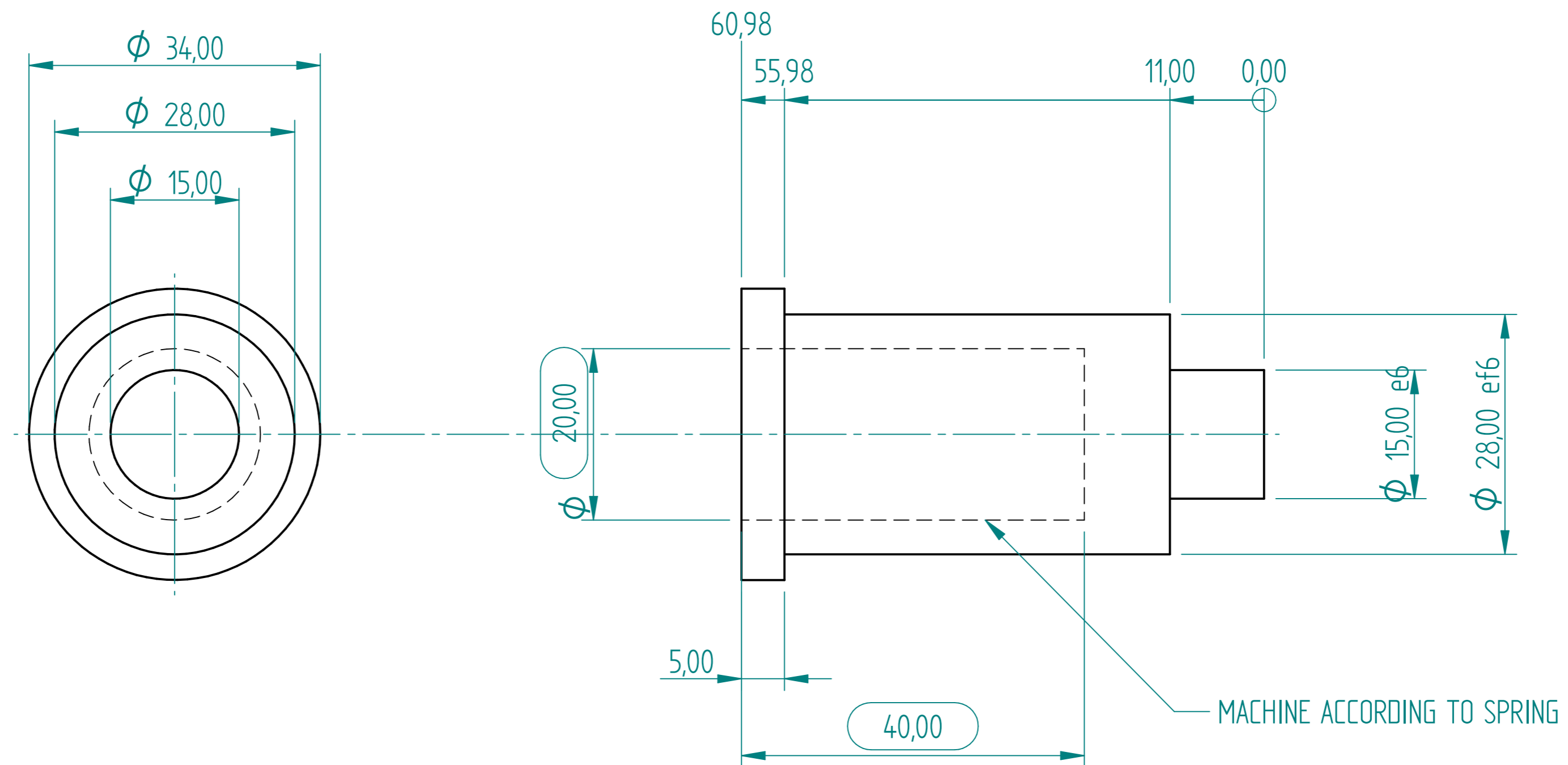


SECTION C-C

MH Inner Insert 8 OF
+25mm

	NAME	DATE	AGRIGEL	
DRAWN	Dan	11/26/19		
APPROVED			TITLE	
MATERIAL			PJP125X32H35H45 TYRE TURNED PARTS	
TREATMENT			SIZE	DWG NO
UNLESS OTHERWISE SPECIFIED DIMENSIONS ARE IN MILLIMETERS			A4	
			FILE NAME: Turned Inserts.dft	REV
1st ANGLE			SCALE:	WEIGHT:
2 PL ±0.02 3 PL ±0.005				SHEET 3 OF 4

REVISION HISTORY			
REV	DESCRIPTION	DATE	APPROVED



FH Inner Insert 8 OF
Dia 34 BILLET

	NAME	DATE	AGRIGEL	
DRAWN	Dan	11/26/19		
APPROVED				
MATERIAL				
TREATMENT			TITLE	PJP125X32H35H45 TYRE TURNED PARTS
UNLESS OTHERWISE SPECIFIED DIMENSIONS ARE IN MILLIMETERS			SIZE	DWG NO
1 st ANGLE ANGLES ±0.1°			A4	
2 PL ±0.02 3 PL ±0.005			FILE NAME: Turned Inserts.dft	REV
			SCALE:	WEIGHT:
				SHEET 4 OF 4