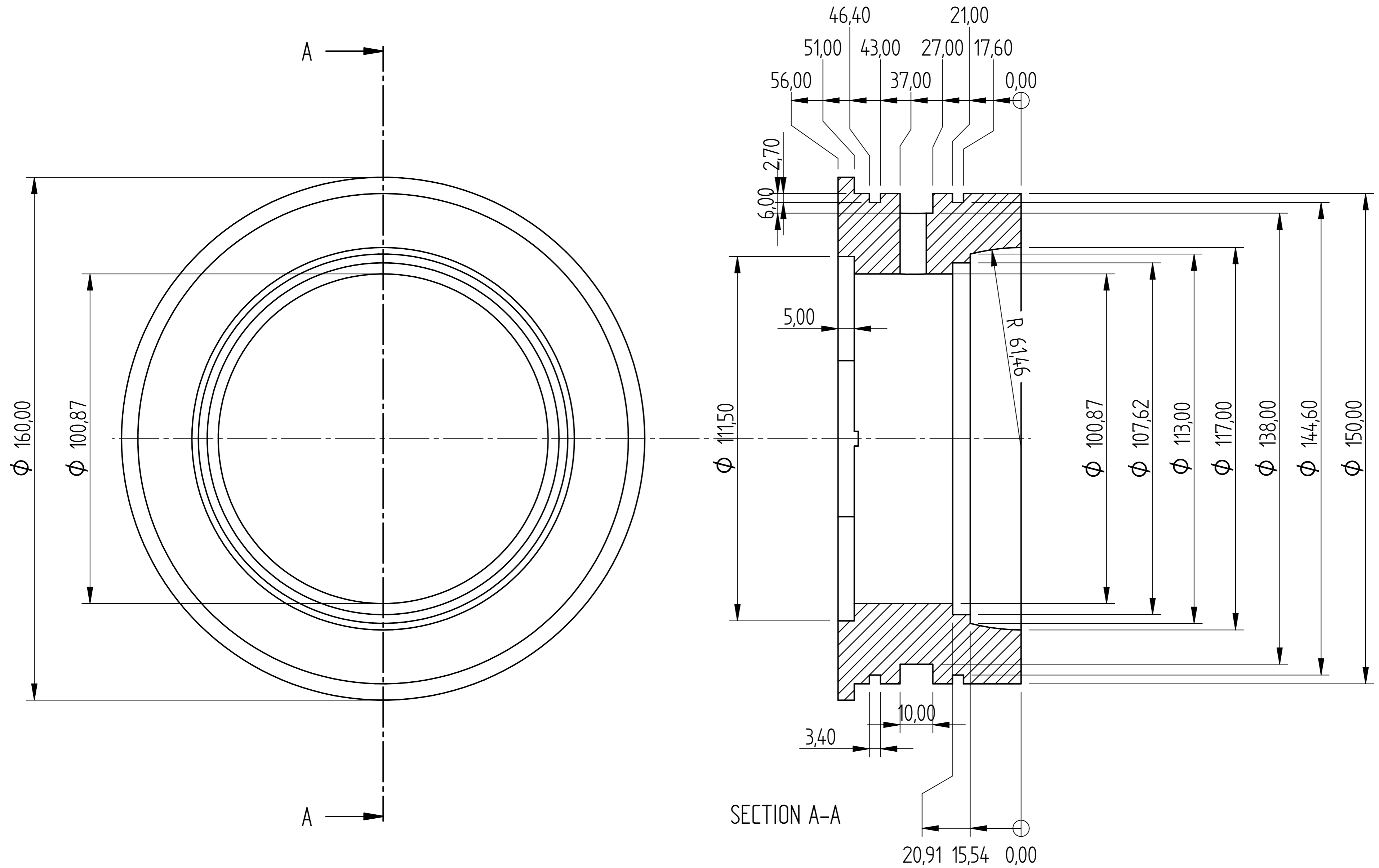


REVISION HISTORY			
REV	DESCRIPTION	DATE	APPROVED



FH Insert  
PJP 125X40H60 WHEEL INNER 12 OF

	NAME	DATE	<b>PREMAC</b>		
DRAWN	Dan	08/23/12			
APPROVED			TITLE PJP 125X40H60 WHEEL INNER		
MATERIAL					
TREATMENT			SIZE A4	DWG NO	REV
UNLESS OTHERWISE SPECIFIED DIMENSIONS ARE IN MILLIMETERS ANGLES ±0.1°			FILE NAME: Turned Insert.dft		
1st ANGLE 2 PL ±0.02 3 PL ±0.005			SCALE:	WEIGHT:	SHEET 1 OF 5