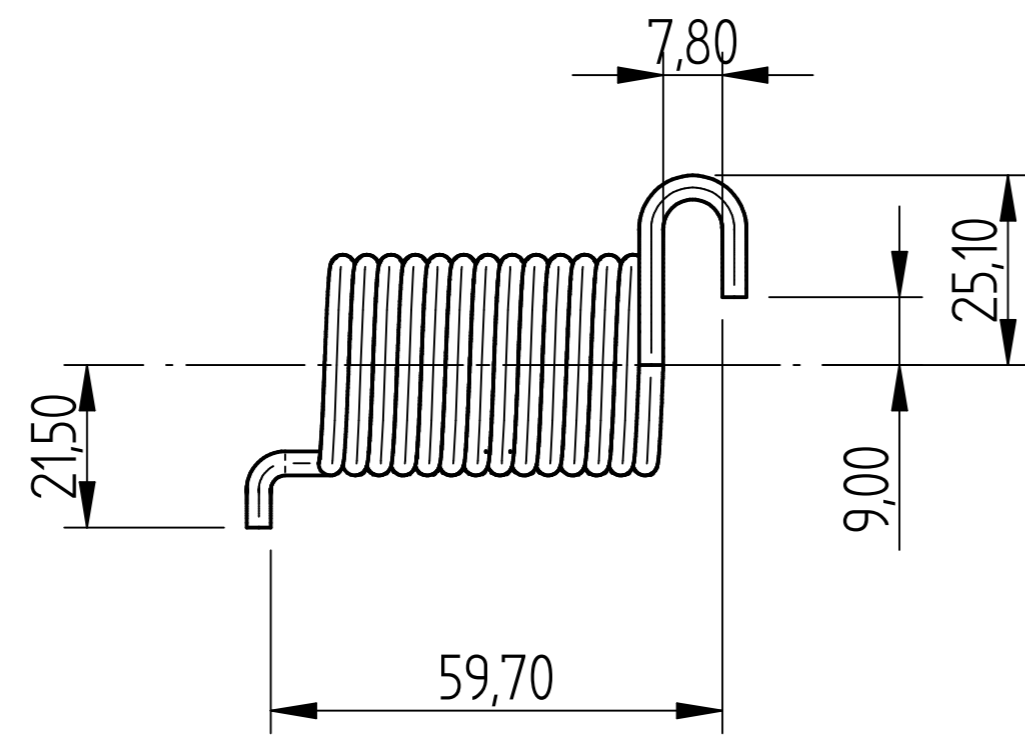
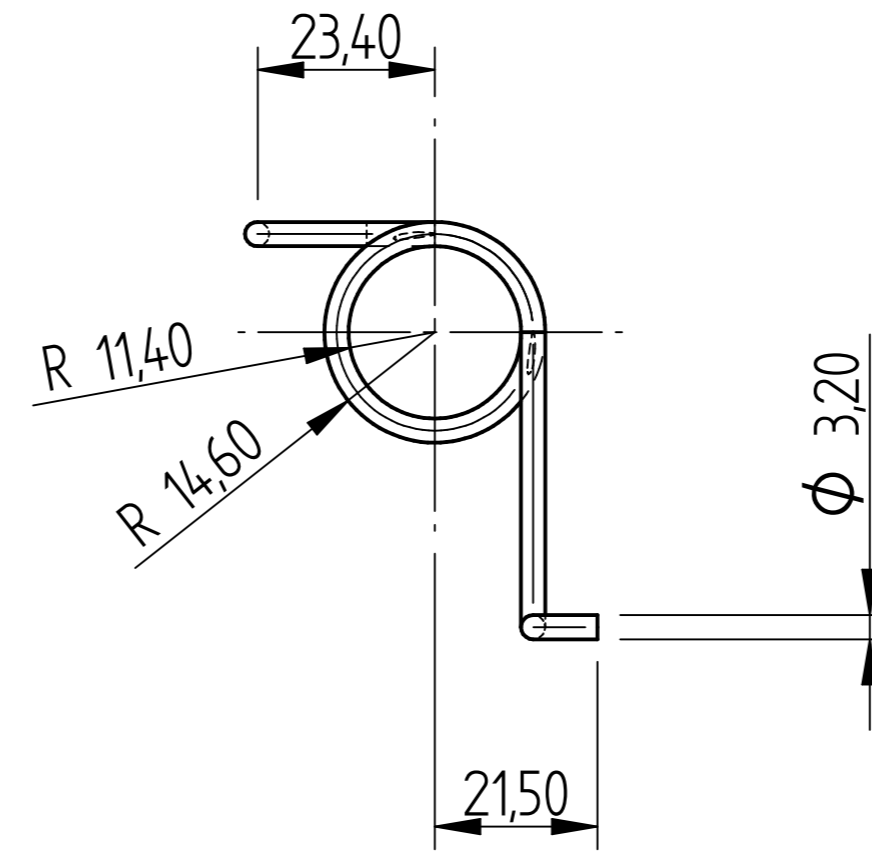
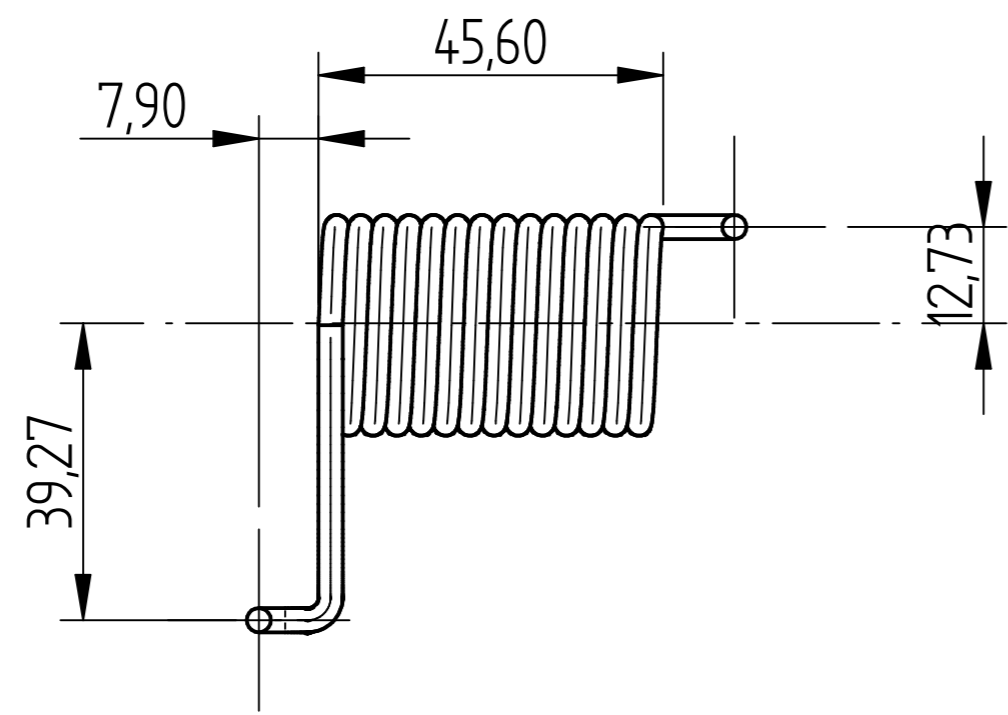
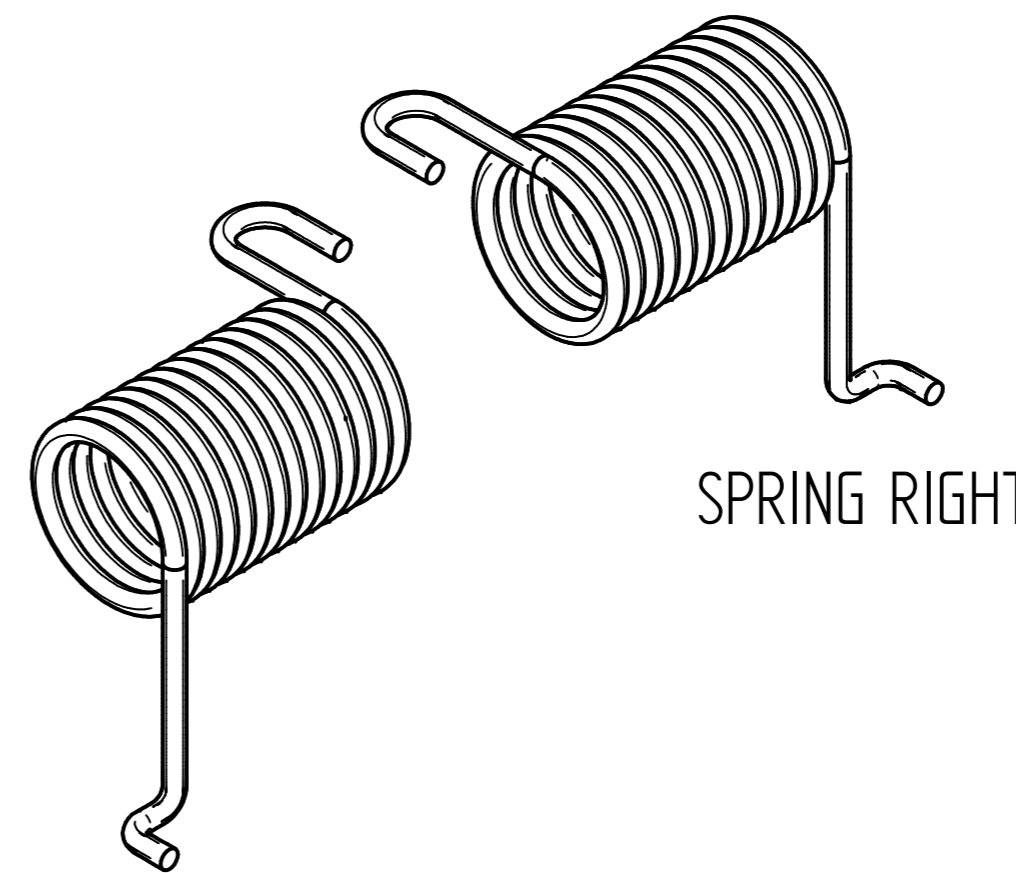


REVISION HISTORY			
REV	DESCRIPTION	DATE	APPROVED



SPRING LEFT  
WIRE DIA 3.2  
13.25 TURNS



SPRING LEFT

SPRING RIGHT

	NAME	DATE	<b>AGRIGEL</b>	
DRAWN	DG	07/06/16		
APPROVED				
MATERIAL				
TREATMENT			TITLE	
UNLESS OTHERWISE SPECIFIED DIMENSIONS ARE IN MILLIMETERS			SIZE A4	DWG NO
1 <sup>st</sup> ANGLE 2 PL ±0.02 3 PL ±0.005			FILE NAME: Springs.dft	REV
			SCALE:	WEIGHT:
			SHEET 1 OF 1	