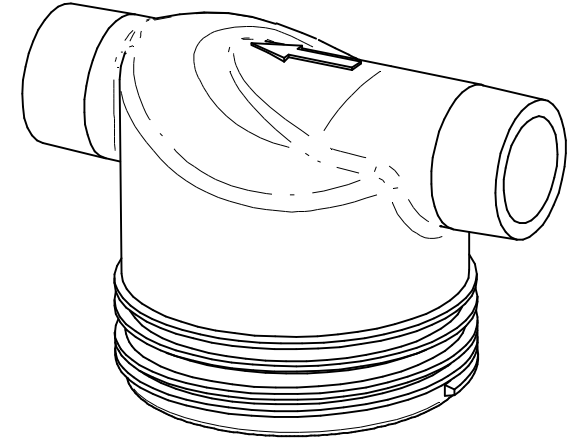
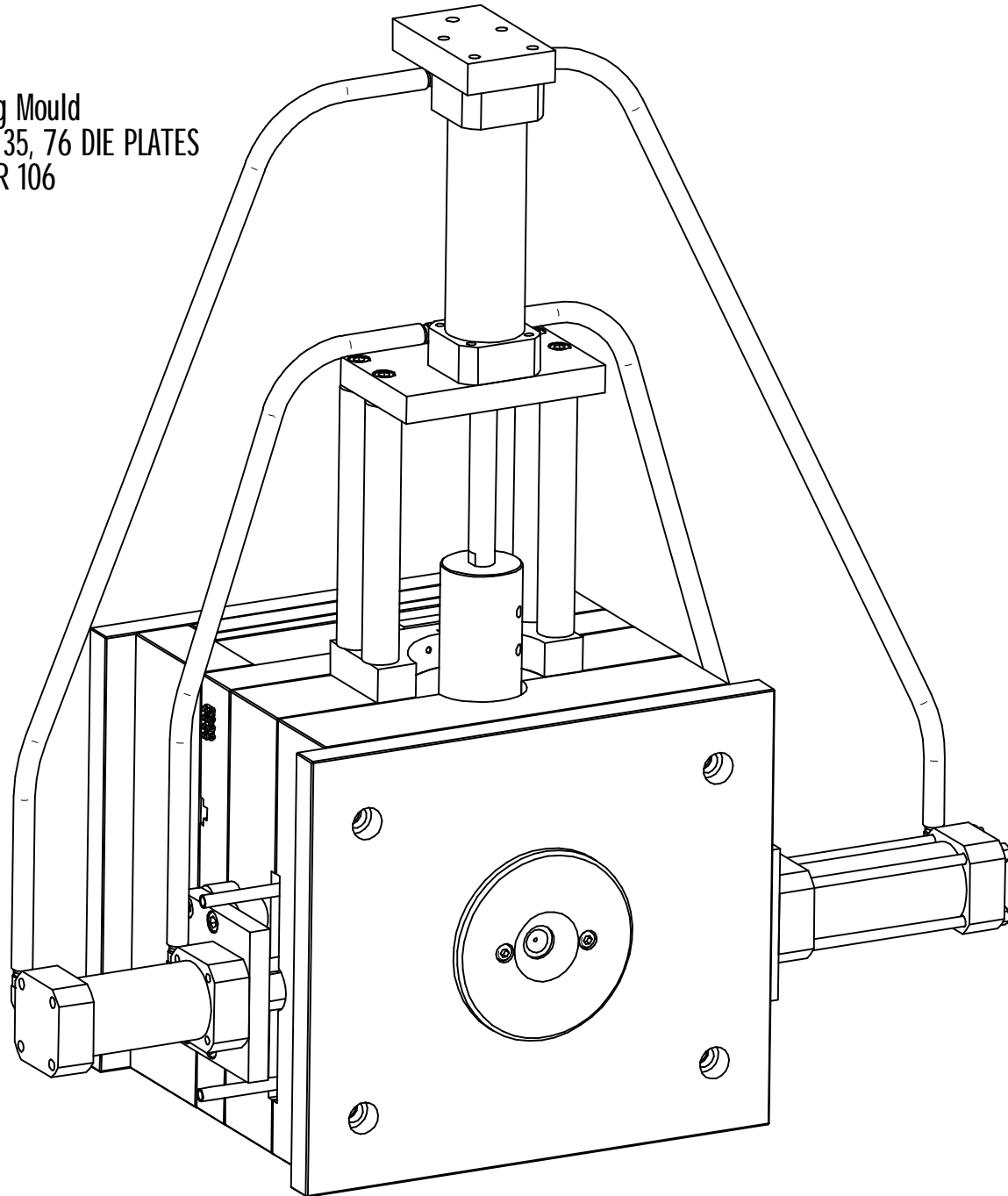


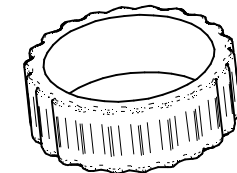
REVISION HISTORY

REV	DESCRIPTION	DATE	APPROVED

Housing Mould
 MOULD BASE 35 X 35, 76 DIE PLATES
 RISER 106



Filter Housing 40mm
 PP Glass Filled 30% Black
 0.336 kg



Cleaning Cap
 Moulded with Housing
 0.032 kg

	NAME	DATE	AGRIGEL	
DRAWN	Dan	09/02/12	TITLE	
APPROVED			Housing Mould	
MATERIAL			SIZE DWG NO	
TREATMENT			A4	
UNLESS OTHERWISE SPECIFIED DIMENSIONS ARE IN MILLIMETERS ANGLES ±0.1°			FILE NAME: Housing_Mould.dft	
2 PL ±0.02 3 PL ±0.005			SCALE:	WEIGHT: SHEET 1 OF 25