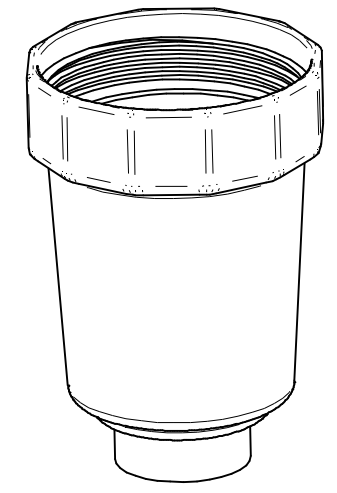
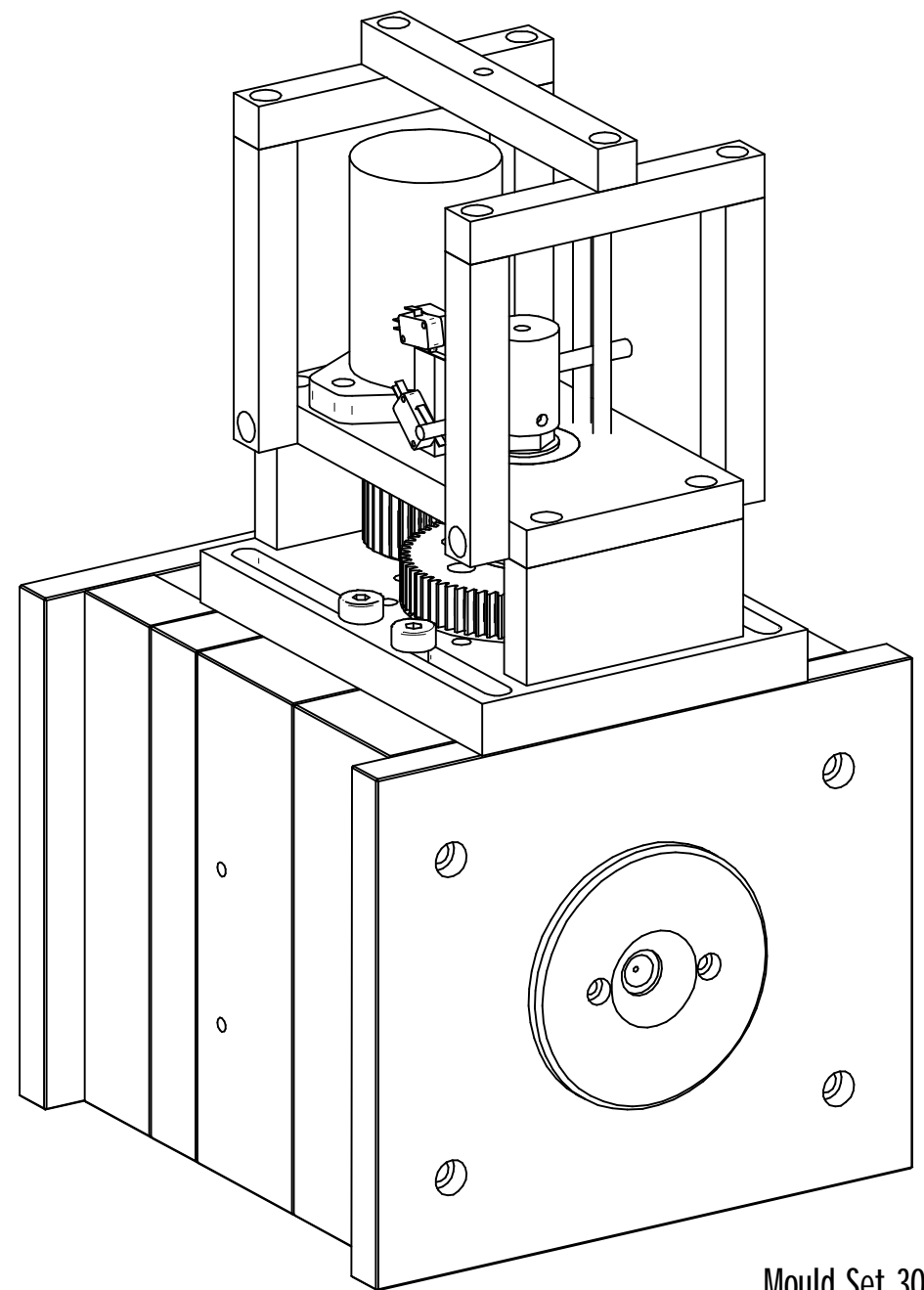


REVISION HISTORY			
REV	DESCRIPTION	DATE	APPROVED



Filter Bowl  
PP Glass Filled 30% Black  
0.307 kg

Bowl Mould  
Mould Set 30 x 30 Die plates 96, Riser 66,  
no Ejector Plates

	NAME	DATE	<b>AGRIGEL</b>	
DRAWN	Dan	08/21/12	TITLE	
APPROVED			Bowl Mould	
MATERIAL			Bowl Mould	
TREATMENT			SIZE	REV
UNLESS OTHERWISE SPECIFIED DIMENSIONS ARE IN MILLIMETERS ANGLES ±0.1°			A4	1
2 PL ±0.02 3 PL ±0.005			FILE NAME: Bowl Mould.dft	
			SCALE:	WEIGHT: SHEET 1 OF 21