
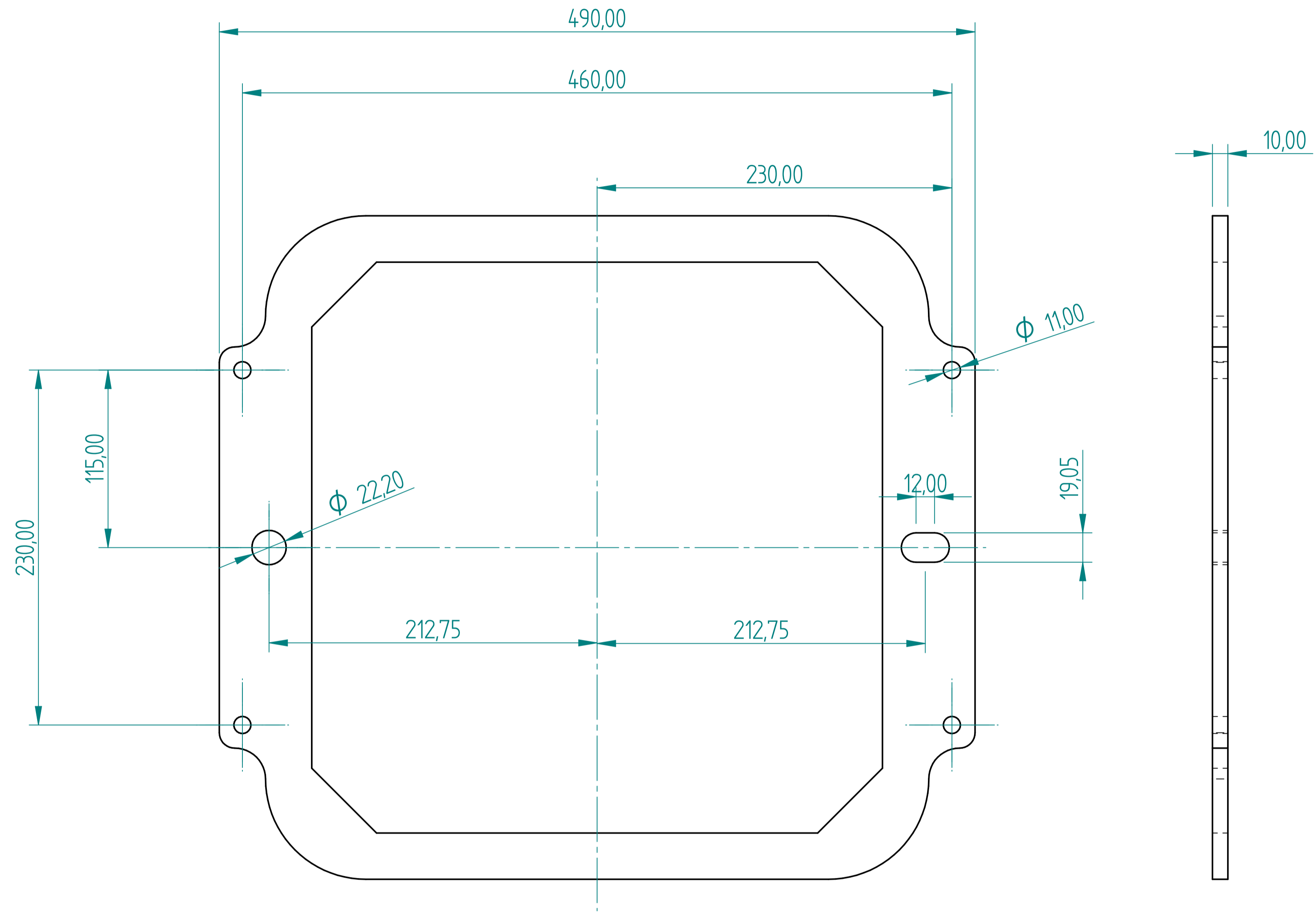


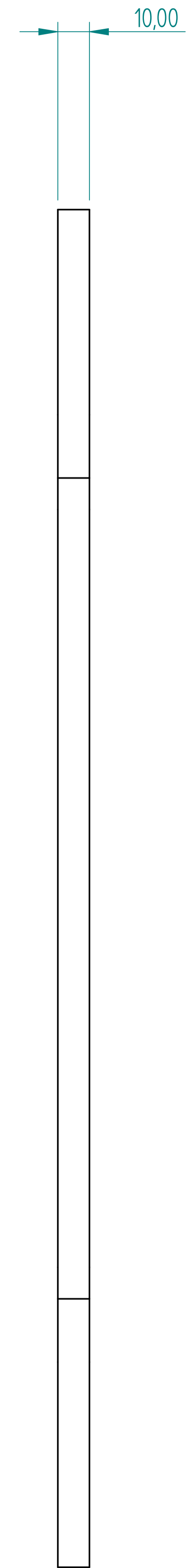
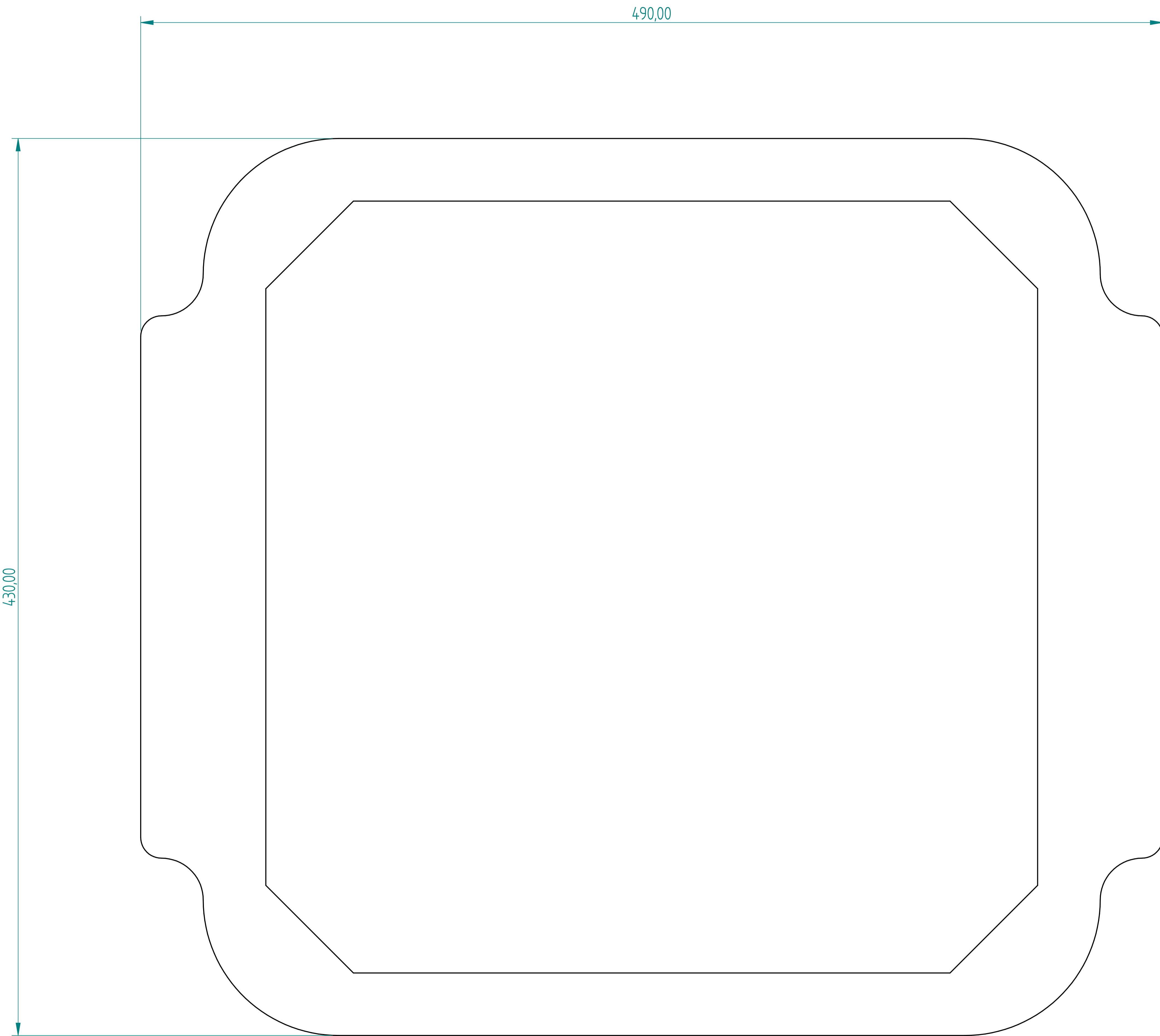
REVISION HISTORY			
REV	DESCRIPTION	DATE	APPROVED

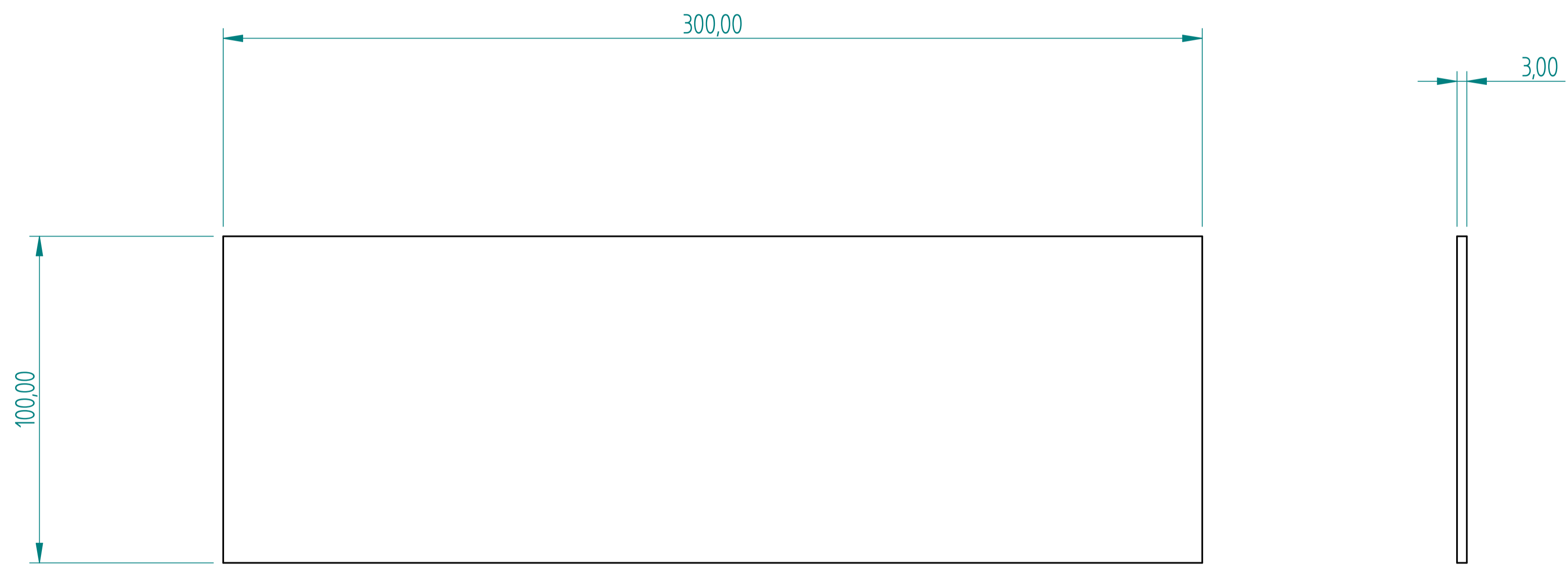
	NAME	DATE	PREMAC	
DRAWN	Dan	09/04/23		
APPROVED			TITLE	
MATERIAL				
TREATMENT				
UNLESS OTHERWISE SPECIFIED DIMENSIONS ARE IN MILLIMETERS ANGLES ±0.1°			SIZE A4	DWG NO
 2 PL ±0.02 3 PL ±0.005			FILE NAME: 14x14_Box.dft	REV
			SCALE:	WEIGHT:
			SHEET 1 OF 5	

REVISION HISTORY			
REV	DESCRIPTION	DATE	APPROVED

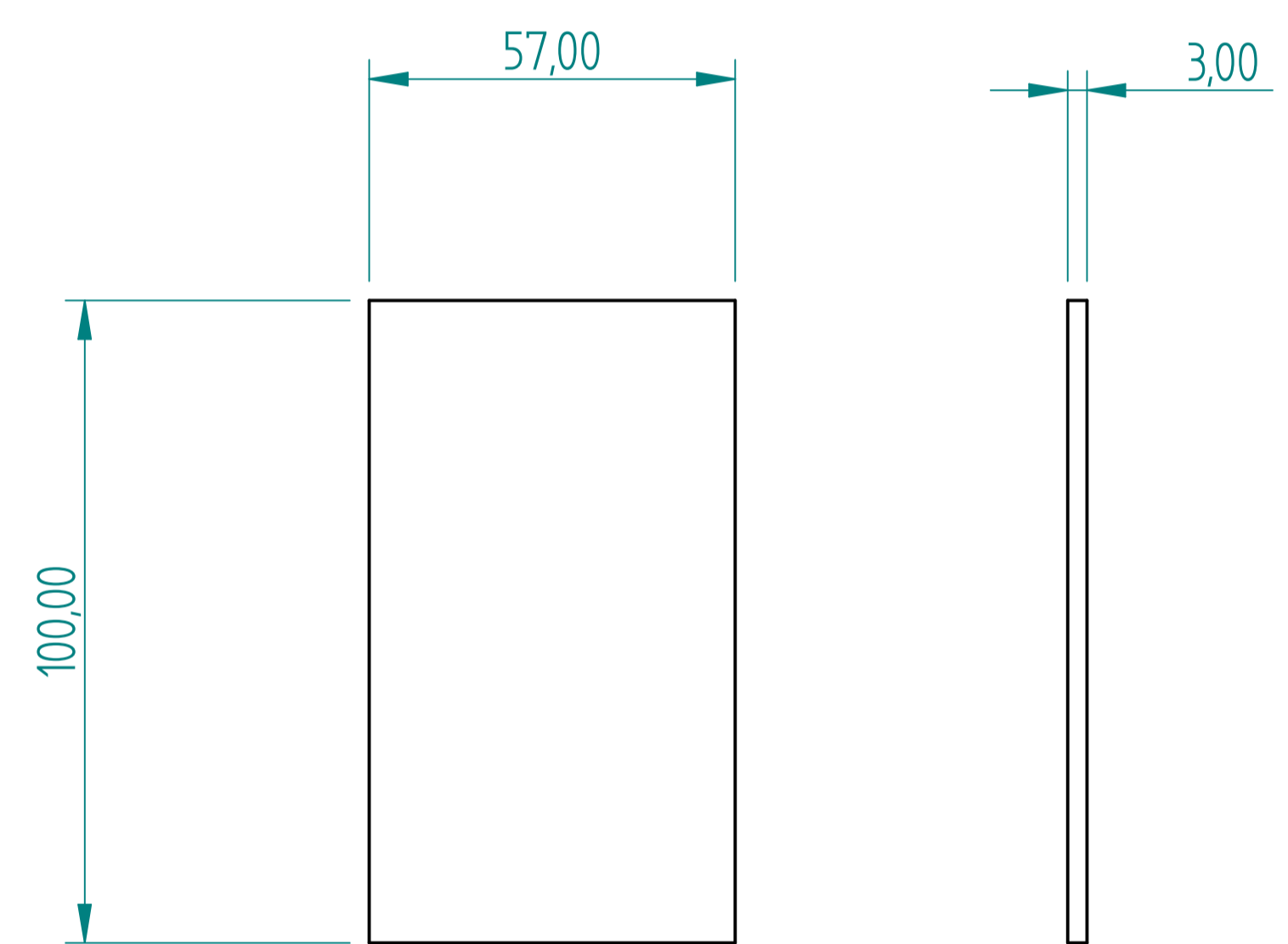


	NAME	DATE	PREMAC	
DRAWN	Dan	09/04/23	TITLE	
APPROVED				
MATERIAL				
TREATMENT				
UNLESS OTHERWISE SPECIFIED DIMENSIONS ARE IN MILLIMETERS ANGLES $\pm 0,1^\circ$			SIZE A4	DWG NO
2 PL $\pm 0,02$ 3 PL $\pm 0,005$			FILE NAME: 14x14_Box.dft	REV
			SCALE:	WEIGHT:
			SHEET 2 OF 5	





SIDE A 8 of



CORNER 8 of