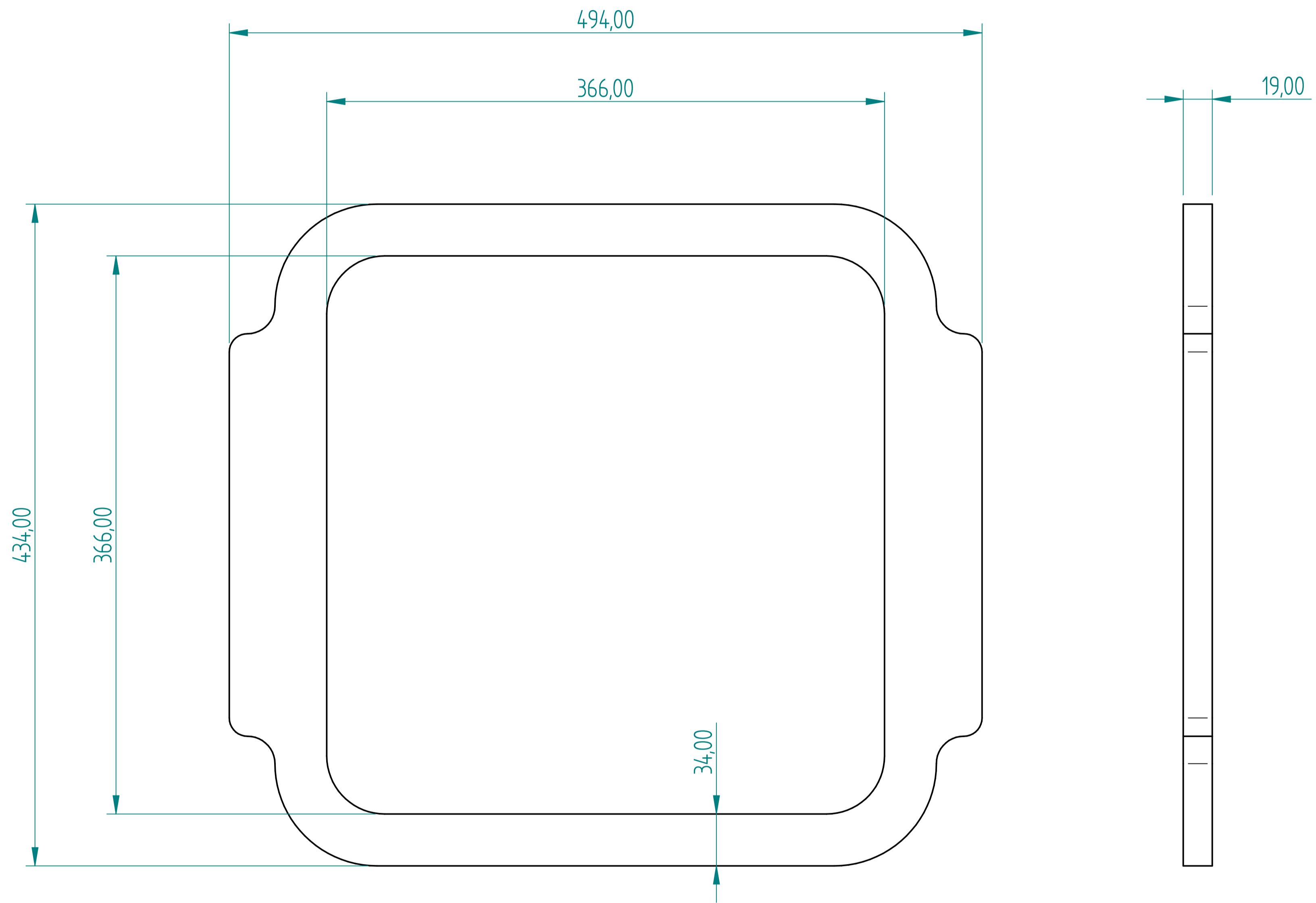


REVISION HISTORY			
REV	DESCRIPTION	DATE	APPROVED



14x14 Box Base Flame Cut

	NAME	DATE	<b>PREMAC</b>	
DRAWN	Dan	01/25/23		
APPROVED			TITLE	
MATERIAL				
TREATMENT				
UNLESS OTHERWISE SPECIFIED DIMENSIONS ARE IN MILLIMETERS ANGLES ±0.1°			SIZE A4	DWG NO 
2 PL ±0.02 3 PL ±0.005			FILE NAME: 14x14 Box Drag.dft	REV 
			SCALE:	WEIGHT:
			SHEET 3 OF 9	