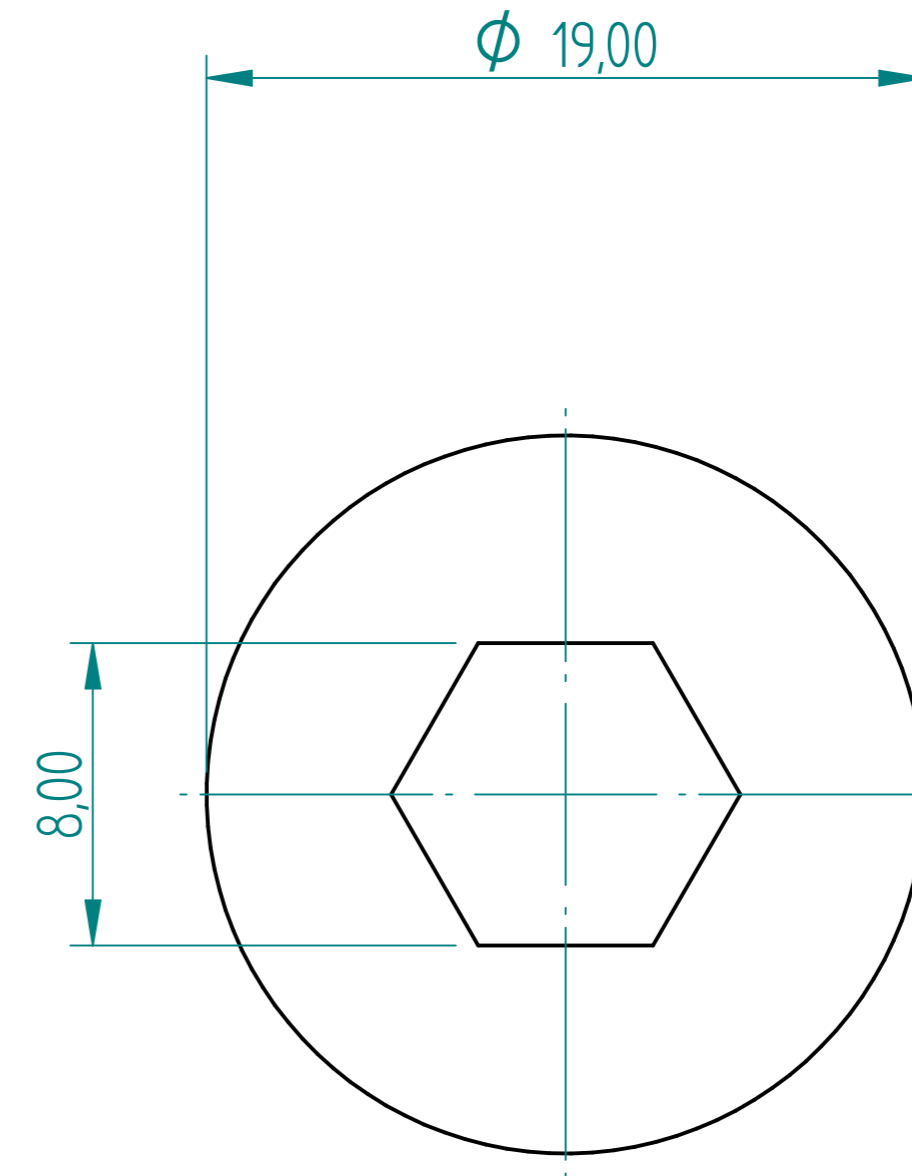
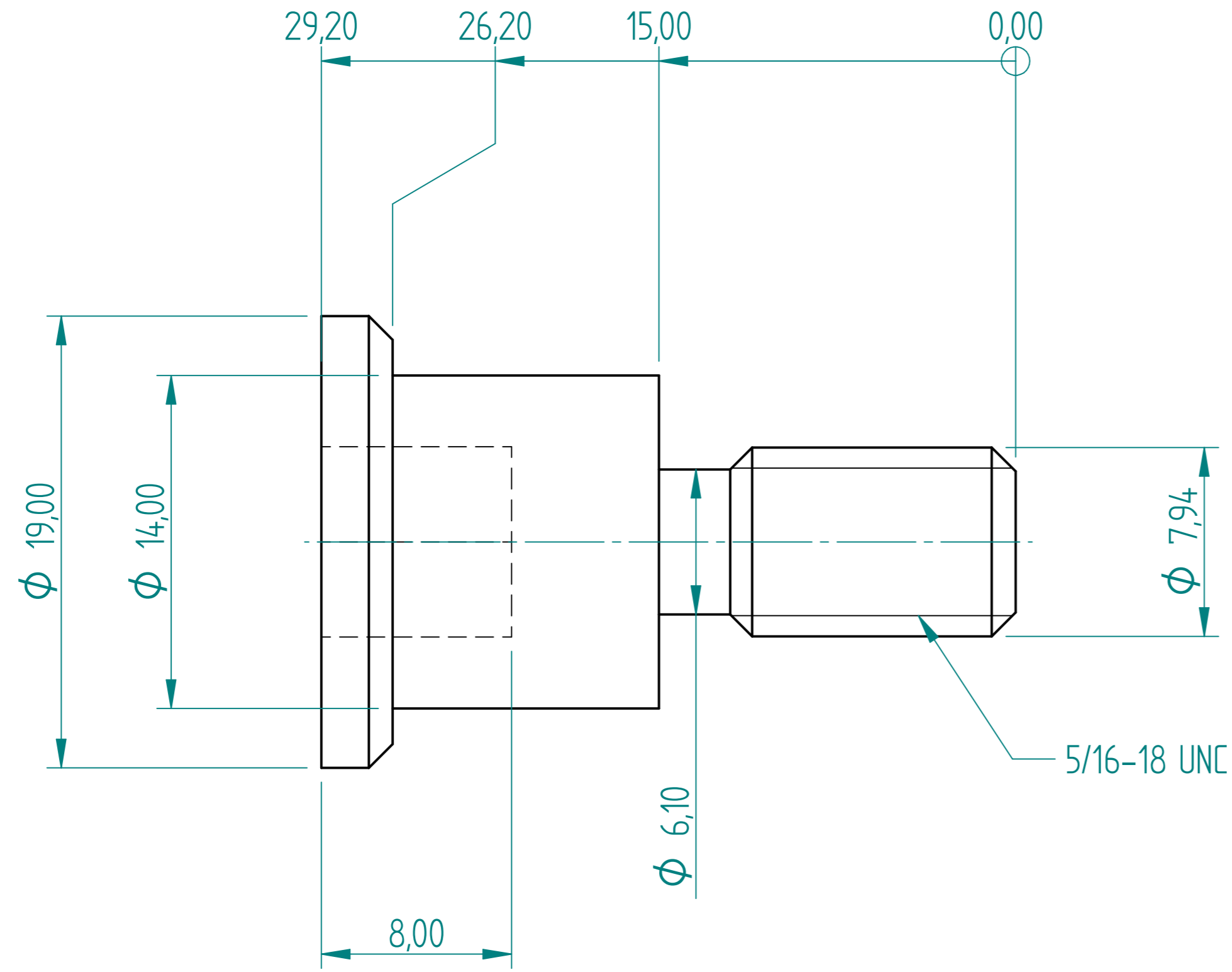


REVISION HISTORY			
REV	DESCRIPTION	DATE	APPROVED



V75 Spool Positioner

	NAME	DATE	PREMAC	
DRAWN	Dan	09/04/23		
APPROVED				
MATERIAL				
TREATMENT			TITLE	
UNLESS OTHERWISE SPECIFIED DIMENSIONS ARE IN MILLIMETERS			SIZE	DWG NO
1 ST ANGLE			A4	
2 PL ±0.02 3 PL ±0.005			FILE NAME: Spool Positioner.dft	REV
			SCALE:	WEIGHT:
			SHEET 1 OF 1	