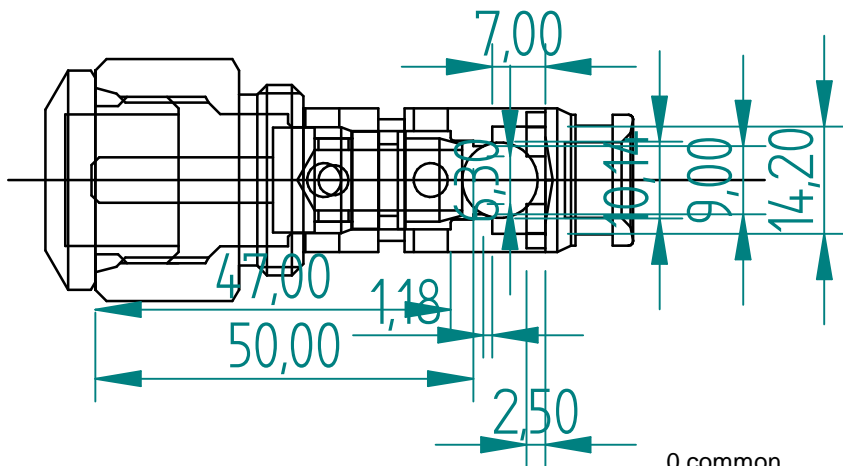
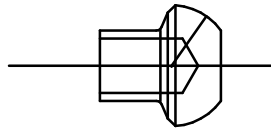


REVISION HISTORY

REV	DESCRIPTION	DATE	APPROVED



- 0 common
- 1 outer
- 2 internal
- 3 inserts
- 4 int.hidden
- 5 text

DRAWN		NAME	DATE	AGRIGEL		
APPROVED		DG	09/04/23			
MATERIAL				TITLE		
TREATMENT						
UNLESS OTHERWISE SPECIFIED DIMENSIONS ARE IN MILLIMETERS ANGES ±0.1°				SIZE	DWG NO	REV
				A4		
1 st ANGLE				FILE NAME: RAC_COM.dft		
2 PL ±0.02 3 PL ±0.005				SCALE:	WEIGHT:	SHEET 1 OF 1