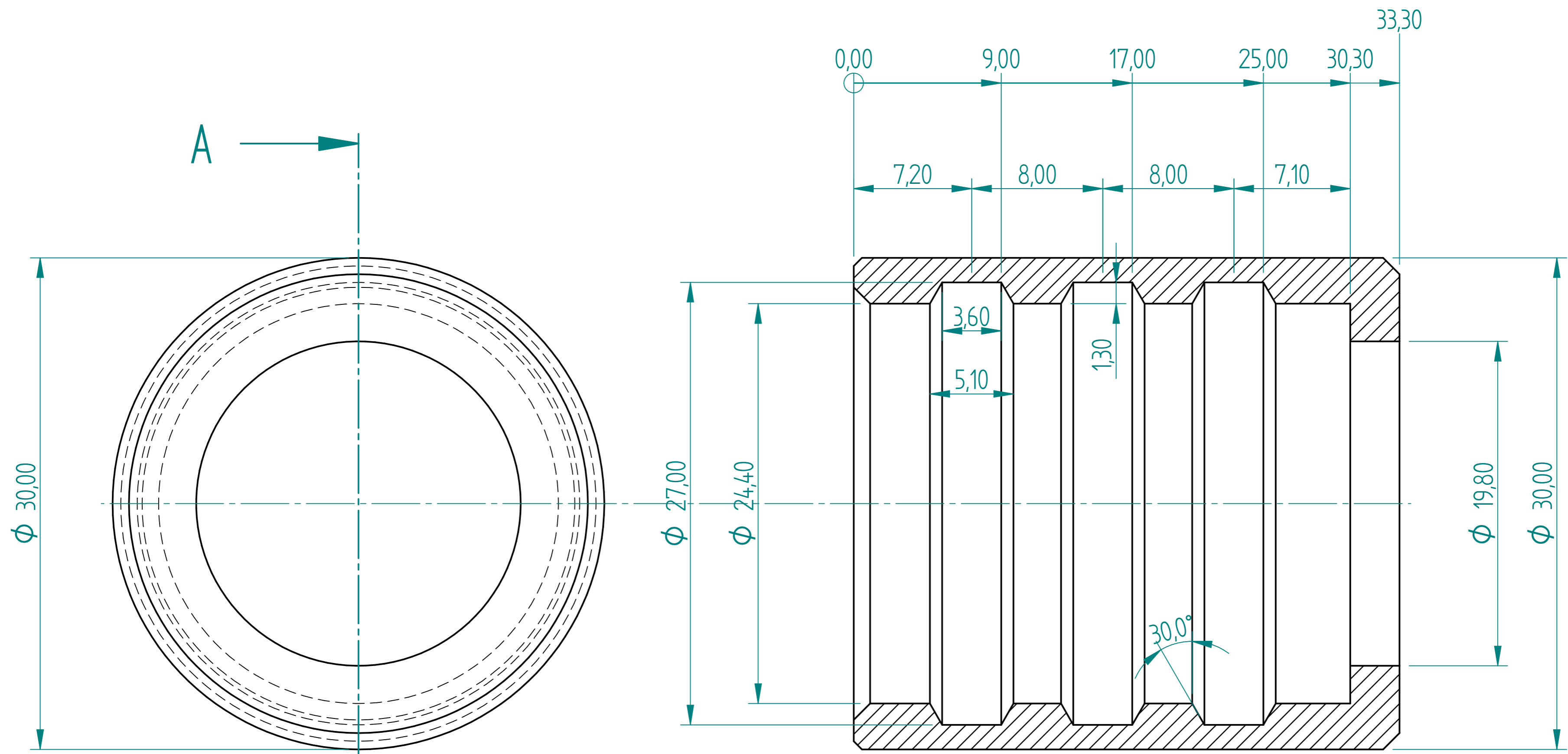


REVISION HISTORY			
REV	DESCRIPTION	DATE	APPROVED



SECTION A-A

	NAME	DATE	PREMAC	
DRAWN	Dan	09/04/23	PRECISION MACHINE MANUFACTURERS (PTY)LTD.	
APPROVED			TITLE	
MATERIAL			V75 Detent Sleeve 3 Position	
TREATMENT			SIZE	DWG NO
UNLESS OTHERWISE SPECIFIED DIMENSIONS ARE IN MILLIMETERS ANGLES ±0.1° 1st ANGLE				
2 PL ±0.02 3 PL ±0.005			SCALE:	WEIGHT:
			FILE NAME: Detent Sleeve 3 Position.dft	REV
				SHEET 1 OF 1