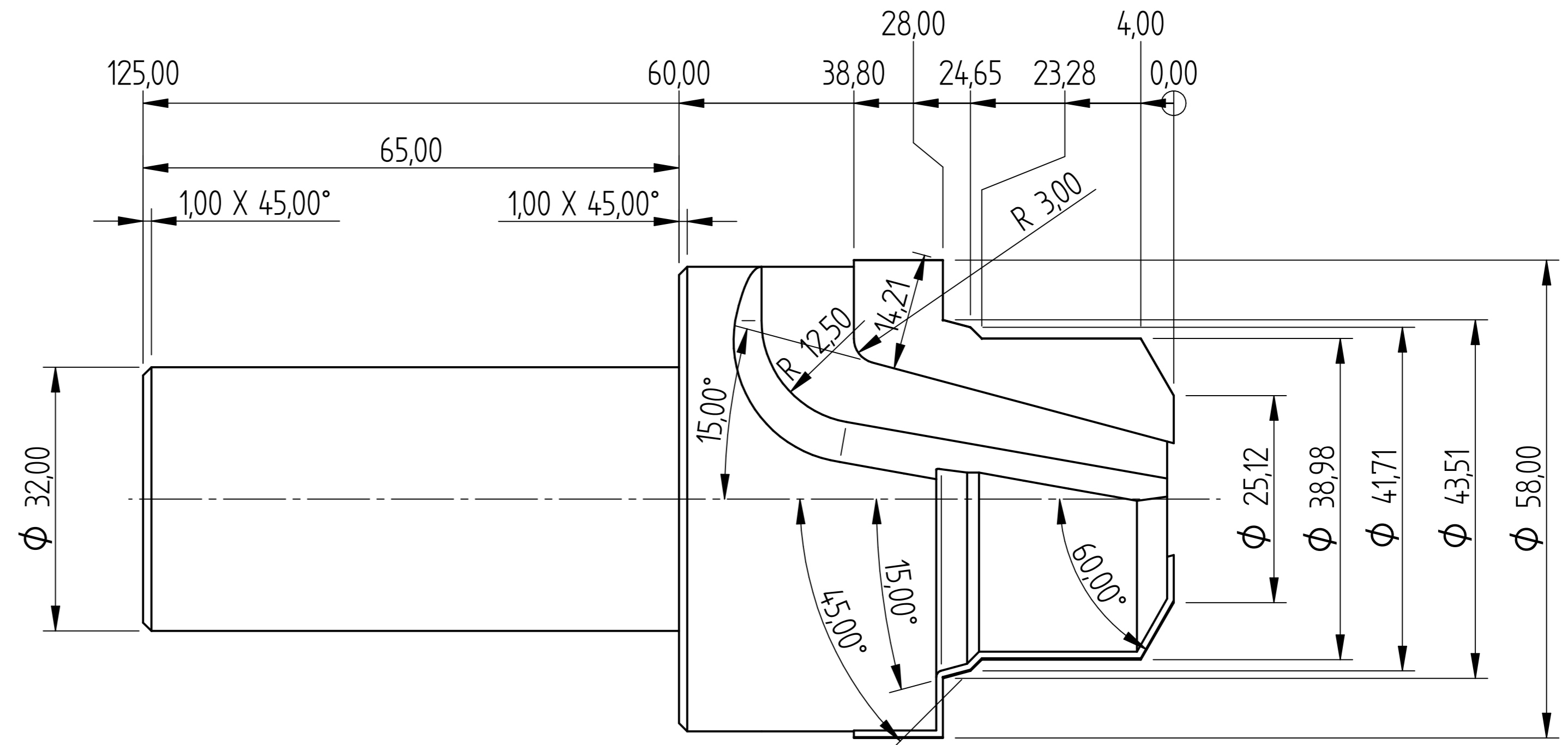
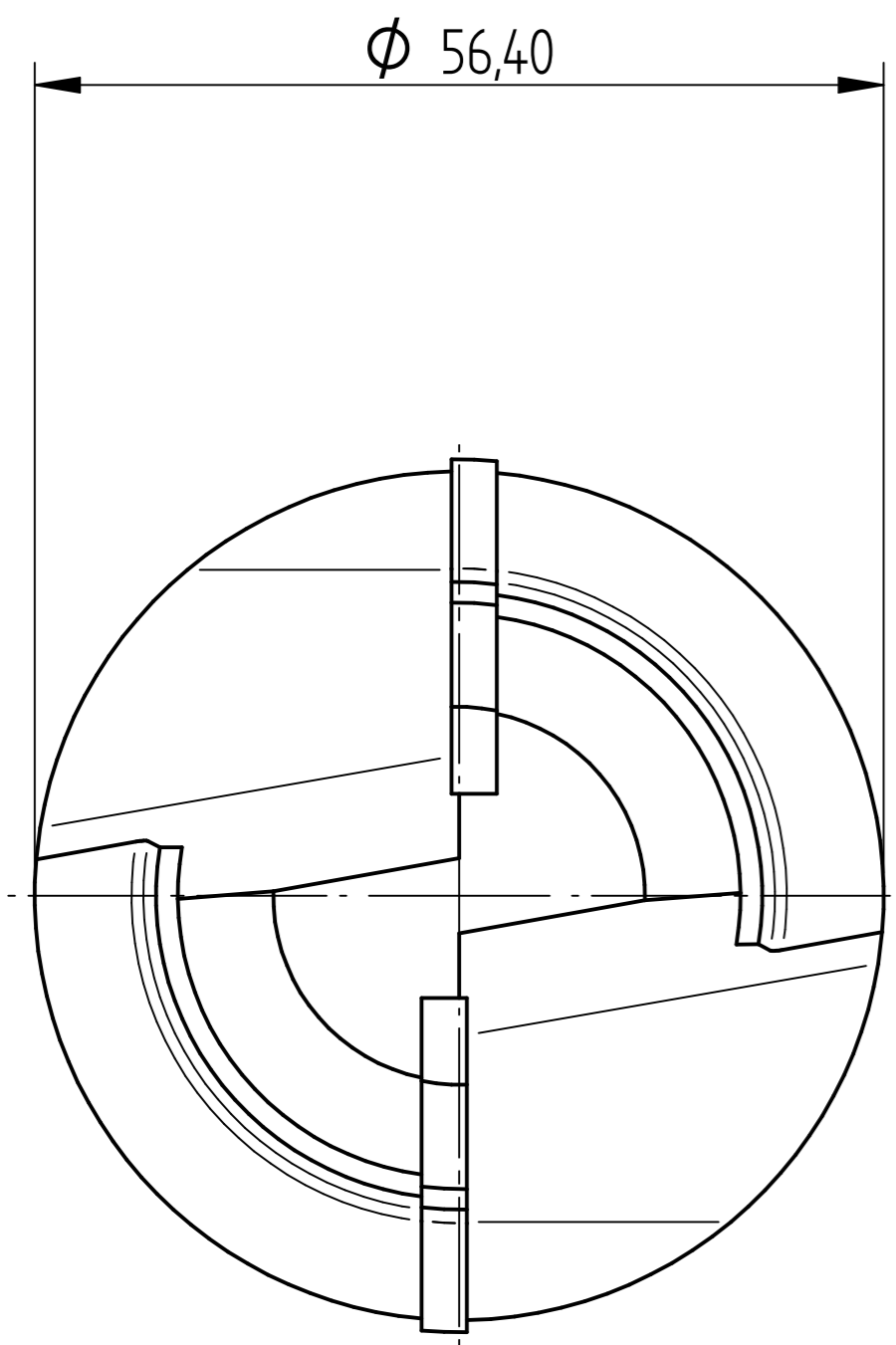


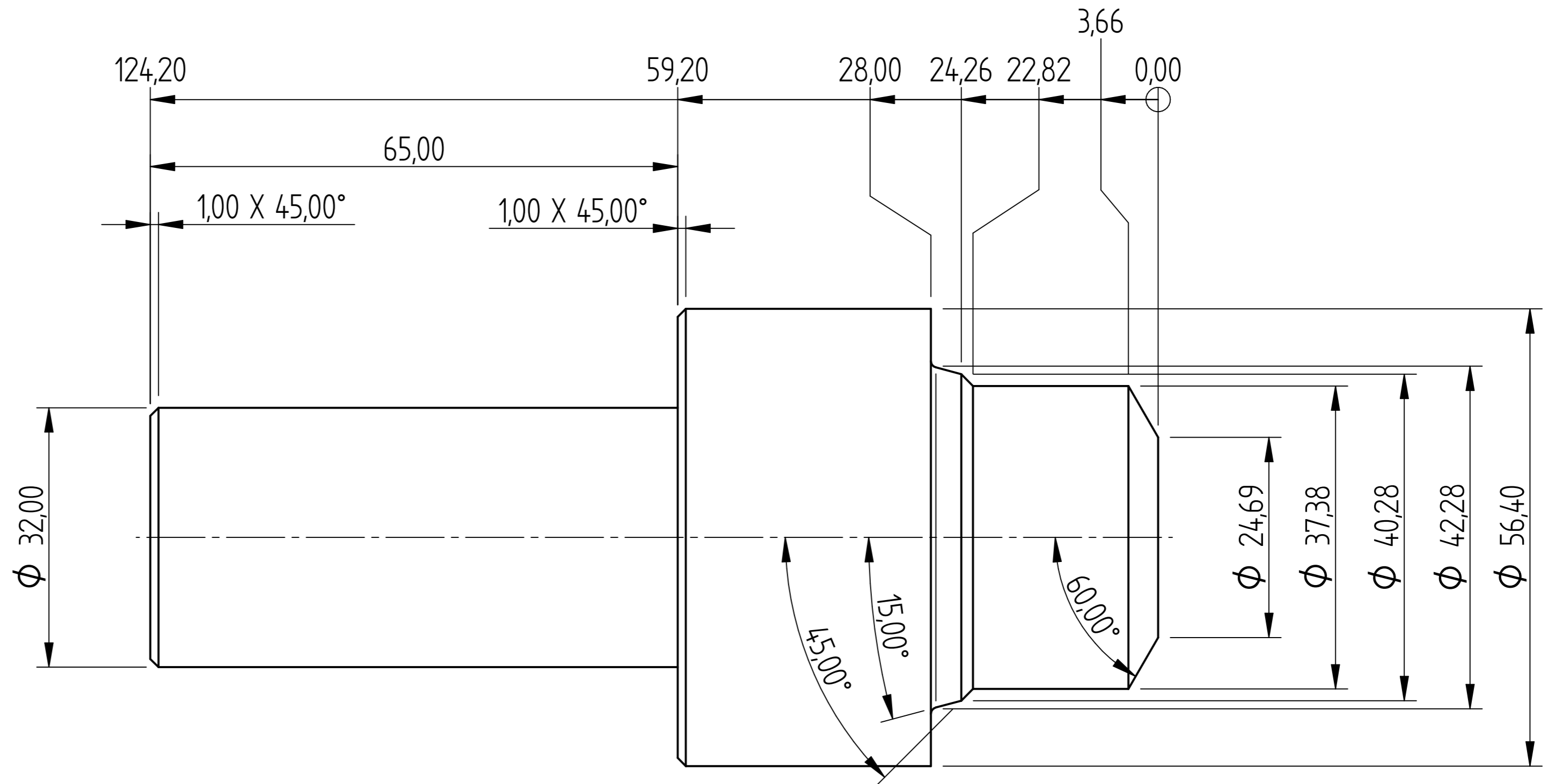
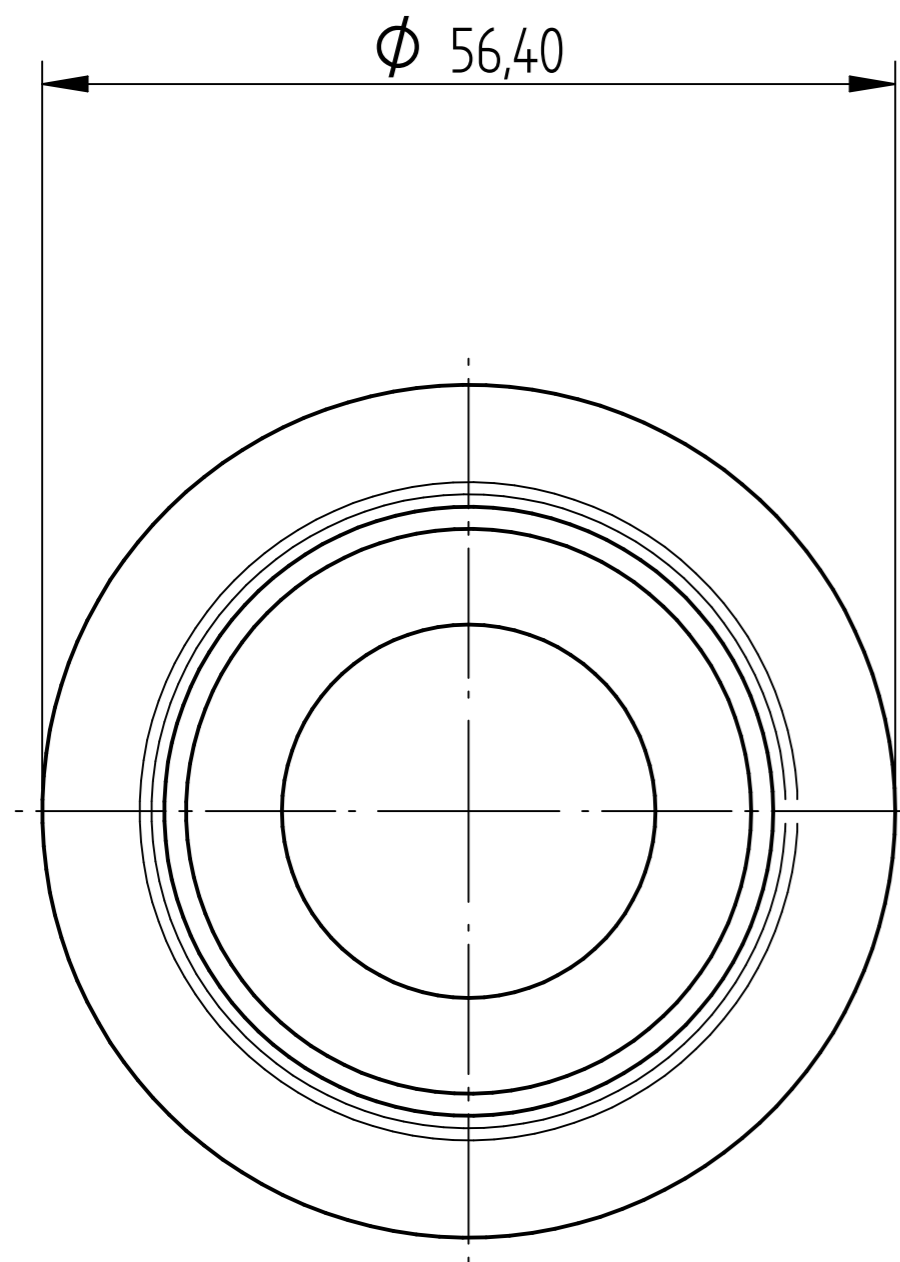
REVISION HISTORY			
REV	DESCRIPTION	DATE	APPROVED



V200 SAE20 BAR

DRAWN	NAME	DATE	<b>PREMAC</b>	
APPROVED	DG	01/30/14		
MATERIAL				
TREATMENT				
UNLESS OTHERWISE SPECIFIED DIMENSIONS ARE IN MILLIMETERS ANGLES $\pm 0,1^\circ$			SIZE A4	DWG NO V200 SAE 20 B
1st ANGLE 2 PL $\pm 0,02$ 3 PL $\pm 0,005$			FILE NAME: SAE 20 Bar.dft	REV
SCALE:	WEIGHT:	SHEET 1 OF 2		

REVISION HISTORY			
REV	DESCRIPTION	DATE	APPROVED



V200 SAE20 BAR TURN

	NAME	DATE	<b>PREMAC</b>		
DRAWN	DG	01/30/14			
APPROVED			TITLE V200 SAE 20 Bar		
MATERIAL					
TREATMENT			SIZE A4	DWG NO V200 SAE 20 B	REV
UNLESS OTHERWISE SPECIFIED DIMENSIONS ARE IN MILLIMETERS ANGLES $\pm 0,1^\circ$			FILE NAME: SAE 20 Bar.dft		
1 <sup>ST</sup> ANGLE 2 PL $\pm 0,02$ 3 PL $\pm 0,005$			SCALE:	WEIGHT:	SHEET 2 OF 2