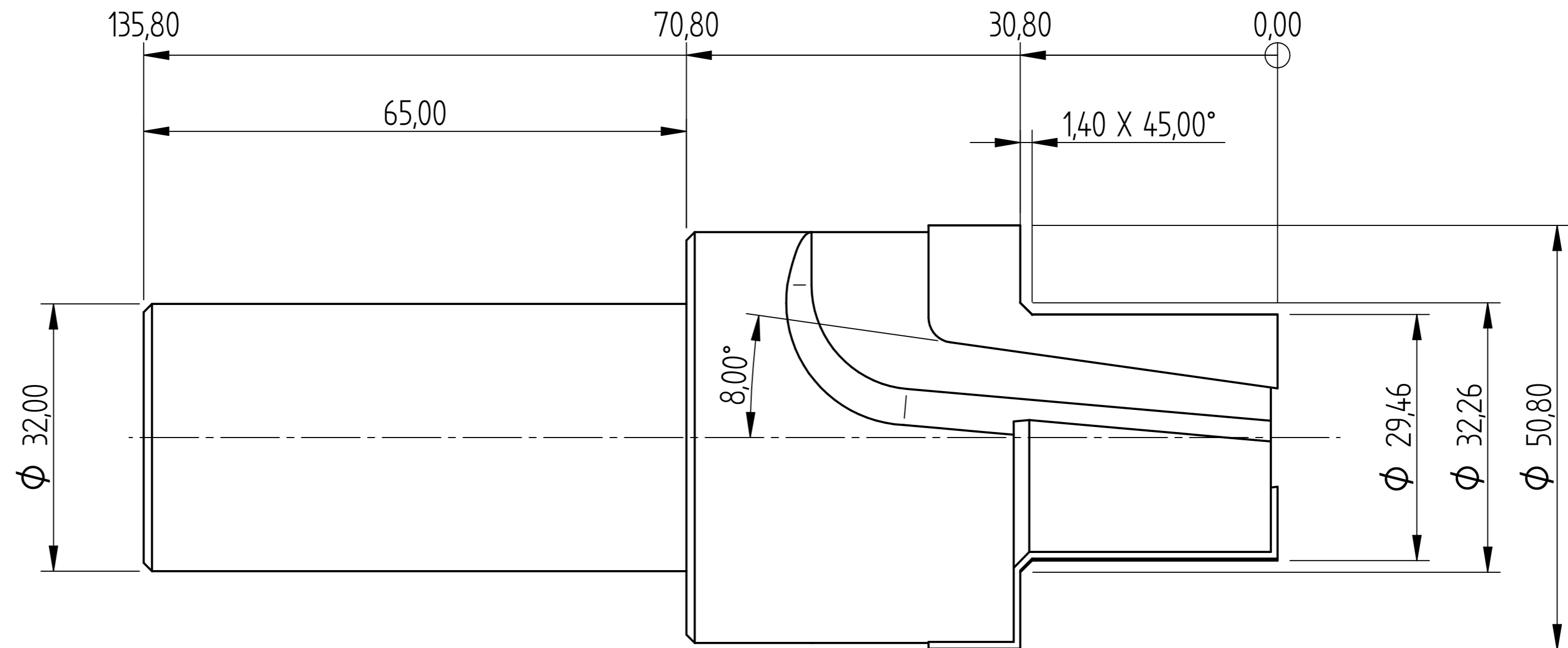
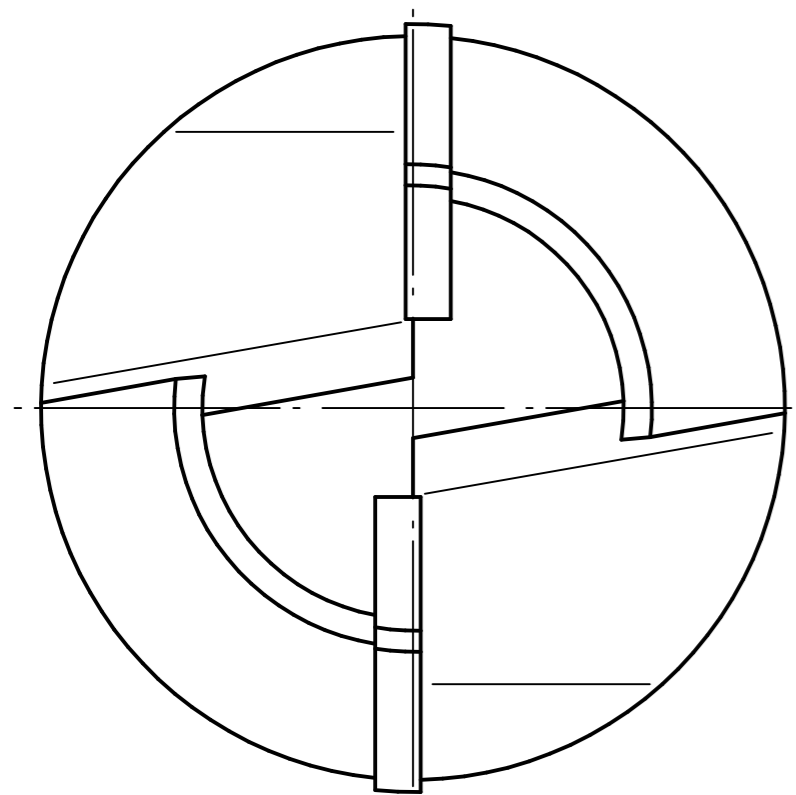


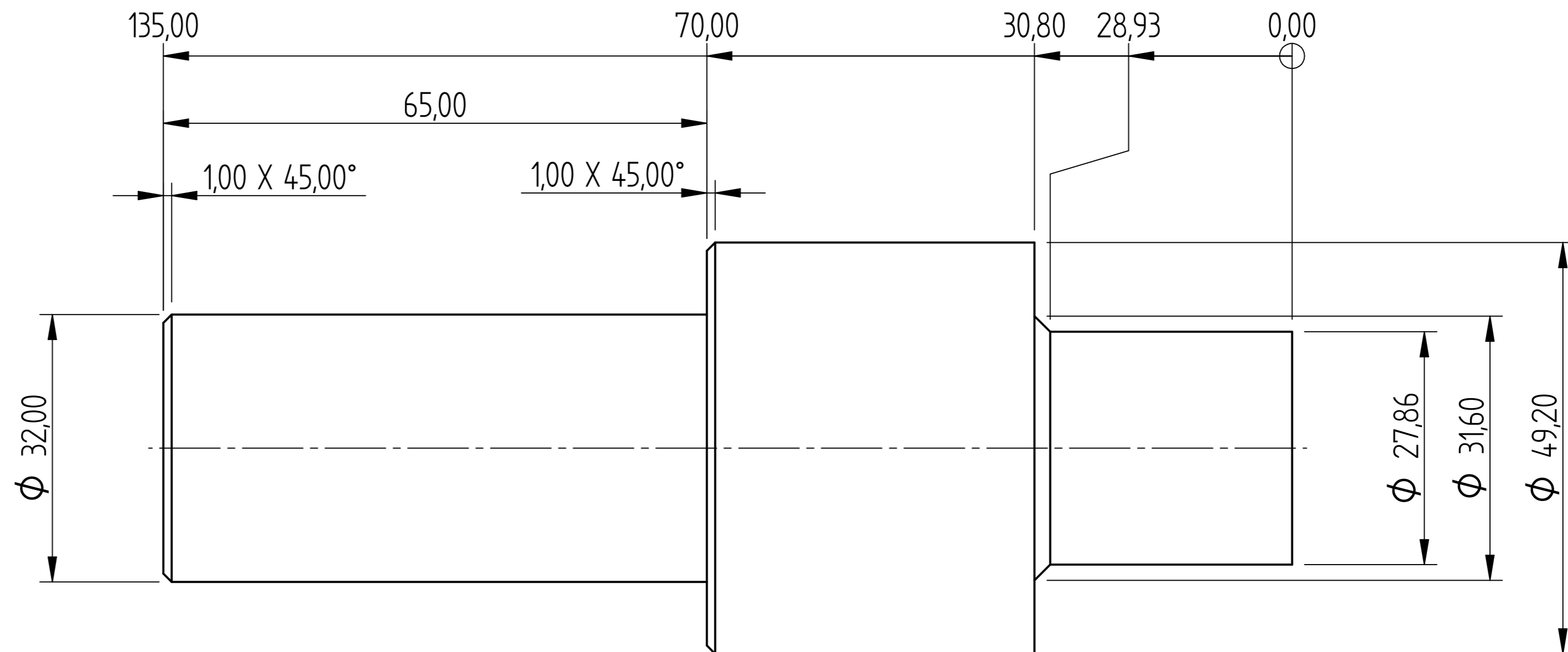
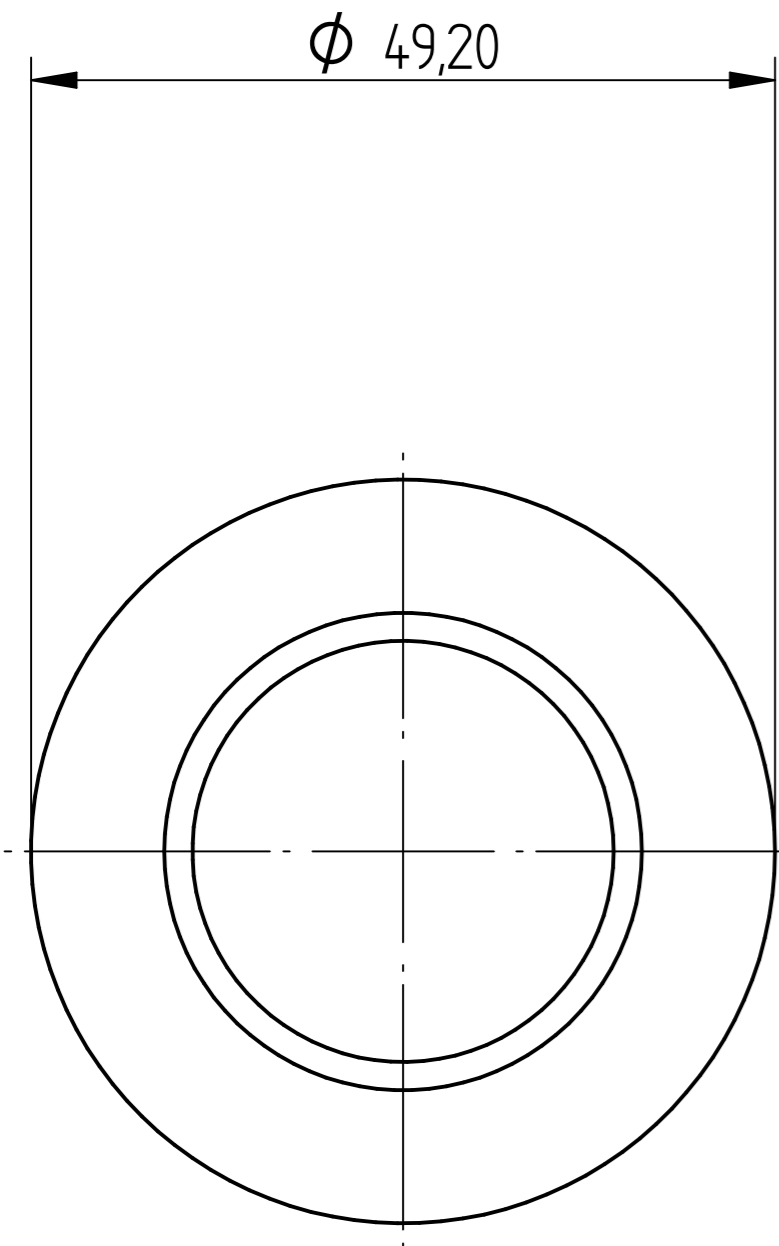
| REVISION HISTORY | | | |
|------------------|-------------|------|----------|
| REV | DESCRIPTION | DATE | APPROVED |
| | | | |



V200 MAIN RELIEF BACK BAR

| | | | | | |
|---|------|----------|-------------------------------------|---------------------|--------------|
| | NAME | DATE | PREMAC | | |
| DRAWN | DG | 01/30/14 | | | |
| APPROVED | | | TITLE Main Relief Back Bar | | |
| MATERIAL | | | | | |
| TREATMENT | | | SIZE A4 | DWG NO V200 MRBB | REV |
| UNLESS OTHERWISE SPECIFIED DIMENSIONS ARE IN MILLIMETERS ANGLES ±0.1° | | | FILE NAME: Main Relief Back Bar.dft | | |
| 1 ST ANGLE | | | SCALE: | WEIGHT: | SHEET 1 OF 3 |

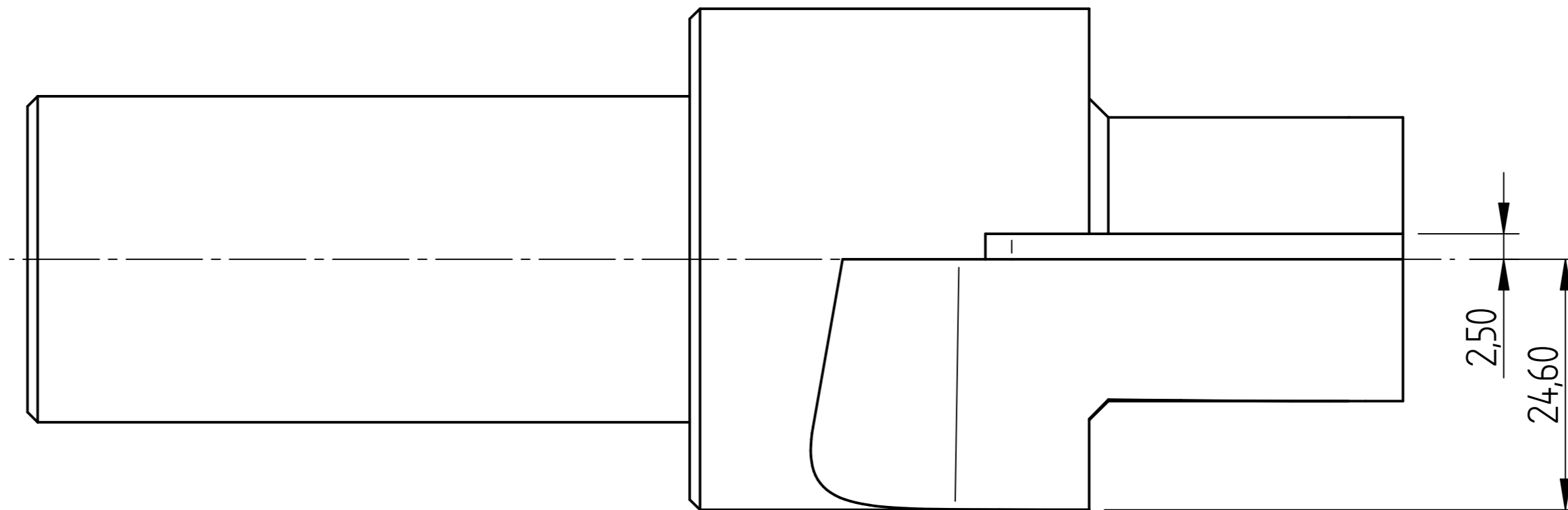
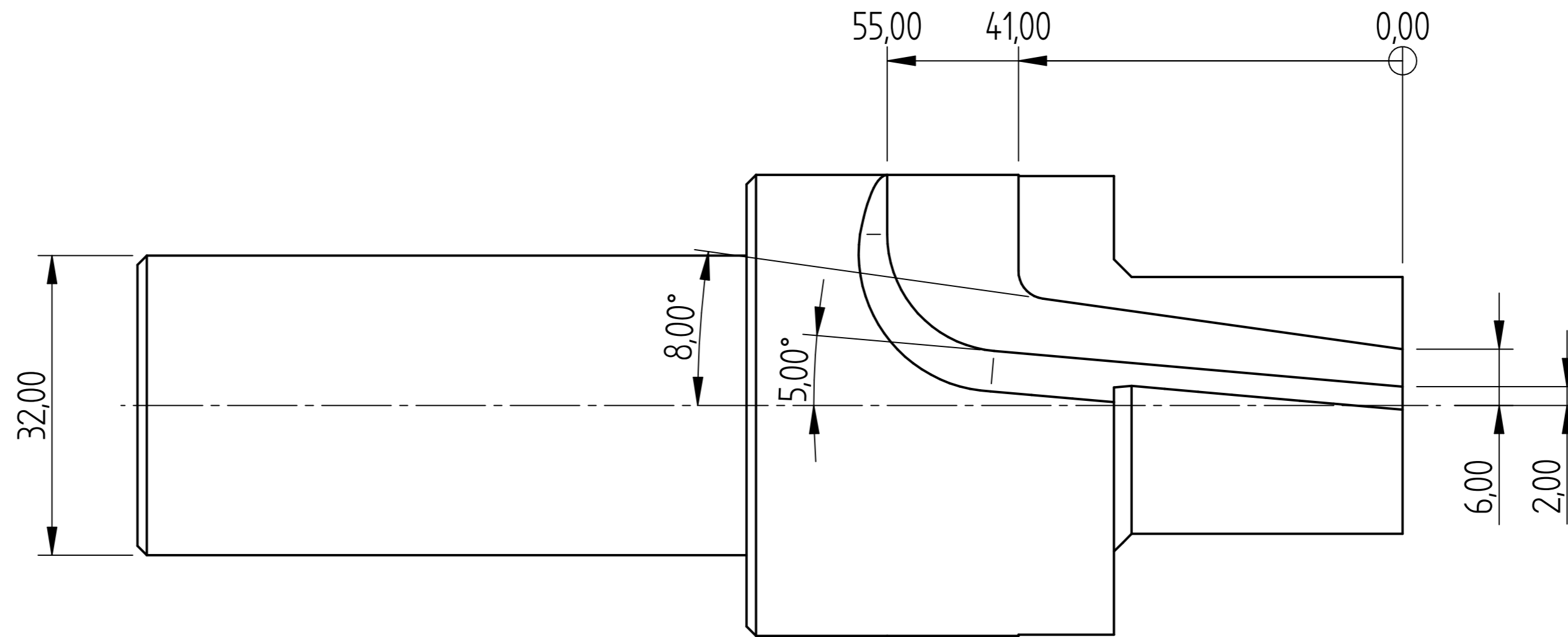
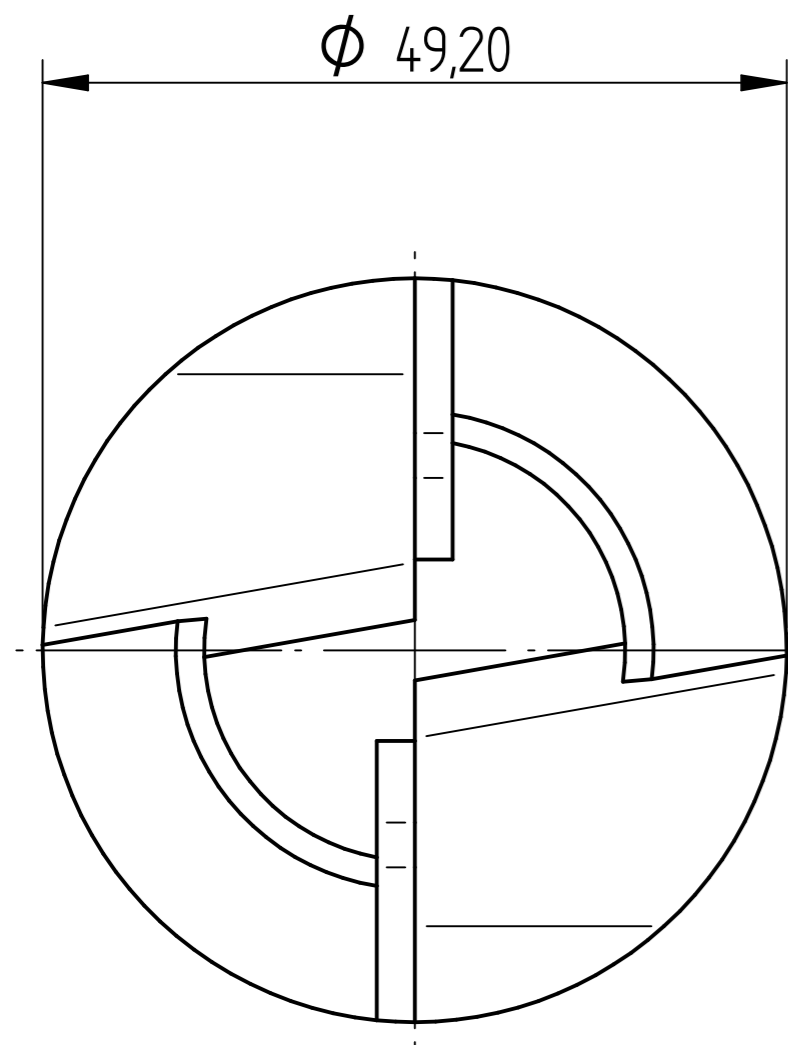
| REVISION HISTORY | | | |
|------------------|-------------|------|----------|
| REV | DESCRIPTION | DATE | APPROVED |
| | | | |



V200 MAIN RELIEF BACK BAR TURN

| | | | | | |
|---|------|----------|-------------------------------------|---------------------|--------------|
| | NAME | DATE | PREMAC | | |
| DRAWN | DG | 01/30/14 | | | |
| APPROVED | | | TITLE Main Relief Back Bar | | |
| MATERIAL | | | | | |
| TREATMENT | | | SIZE A4 | DWG NO V200 MRBB | REV |
| UNLESS OTHERWISE SPECIFIED DIMENSIONS ARE IN MILLIMETERS ANGLES ±0.1° | | | FILE NAME: Main Relief Back Bar.dft | | |
| 1st ANGLE 2 PL ±0.02 3 PL ±0.005 | | | SCALE: | WEIGHT: | SHEET 2 OF 3 |

| REVISION HISTORY | | | |
|------------------|-------------|------|----------|
| REV | DESCRIPTION | DATE | APPROVED |
| | | | |



V200 MAIN RELIEF BACK BAR MILL

| | | | | | |
|---|------|----------|-------------------------------------|---------------------|--------------|
| | NAME | DATE | PREMAC | | |
| DRAWN | DG | 01/30/14 | | | |
| APPROVED | | | TITLE Main Relief Back Bar | | |
| MATERIAL | | | | | |
| TREATMENT | | | SIZE A4 | DWG NO V200 MRBB | REV |
| UNLESS OTHERWISE SPECIFIED DIMENSIONS ARE IN MILLIMETERS ANGLES $\pm 0,1^\circ$ | | | FILE NAME: Main Relief Back Bar.dft | | |
| 1st ANGLE | | | SCALE: | WEIGHT: | SHEET 3 OF 3 |