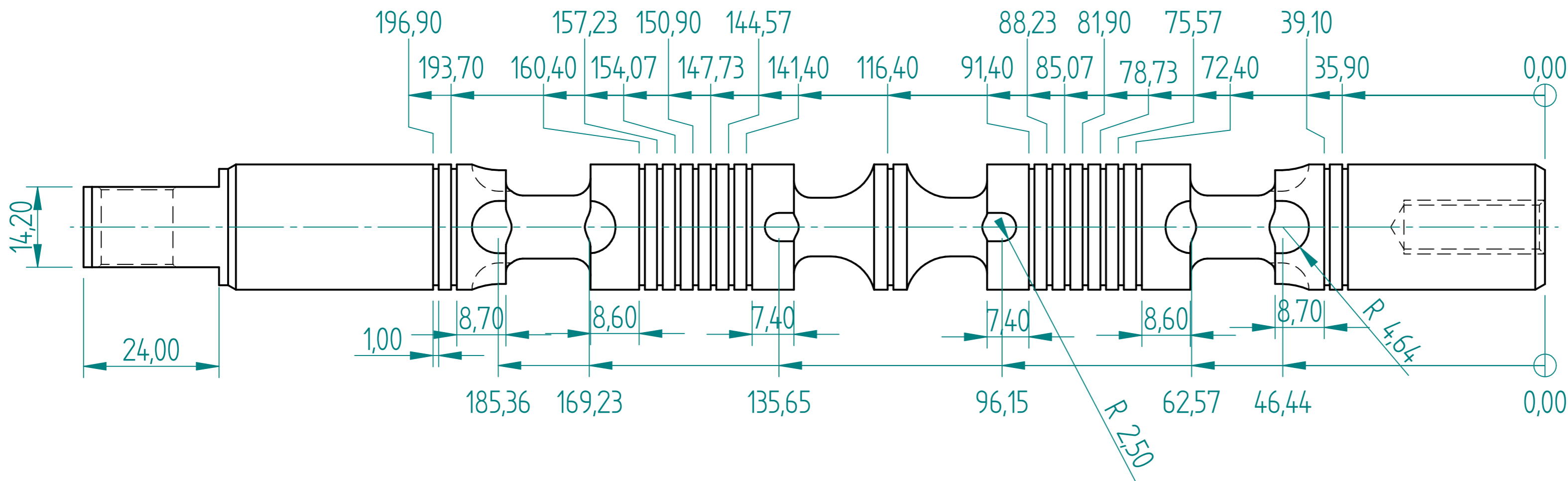
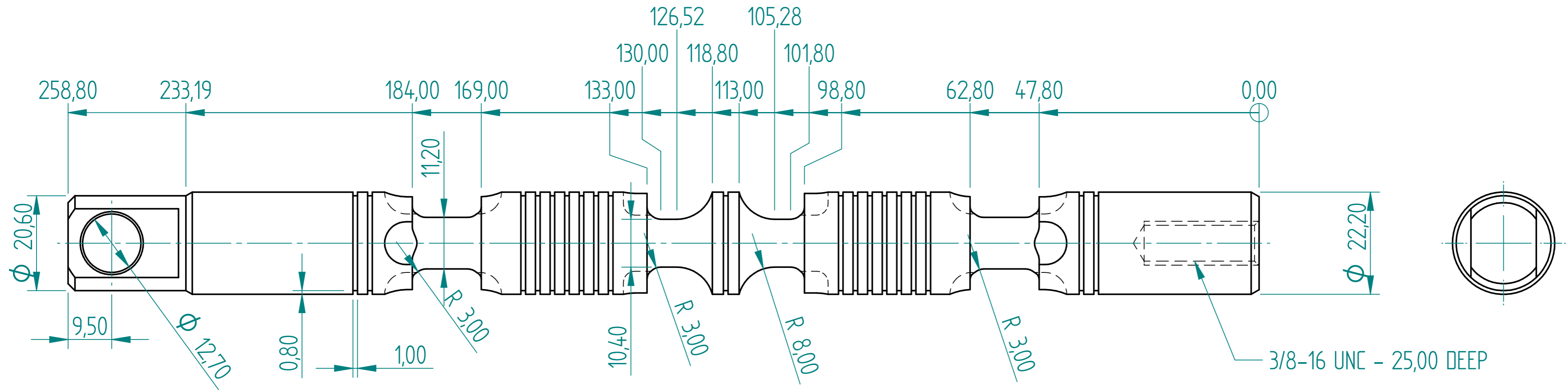


REVISION HISTORY			
REV	DESCRIPTION	DATE	APPROVED



	NAME	DATE	PREMAC	
DRAWN	Dan	06/01/10	PRECISION MACHINE MANUFACTURERS (PTY)LTD.	
APPROVED			TITLE	
MATERIAL				
TREATMENT				
UNLESS OTHERWISE SPECIFIED DIMENSIONS ARE IN MILLIMETERS			SIZE A2	DWG NO
1 <sup>ST</sup> ANGLE ANGLES ±0.1°			REV	
2 PL ±0.02 3 PL ±0.005			FILE NAME: Std Spool.dft	
SCALE:		WEIGHT:	SHEET 1 OF 1	