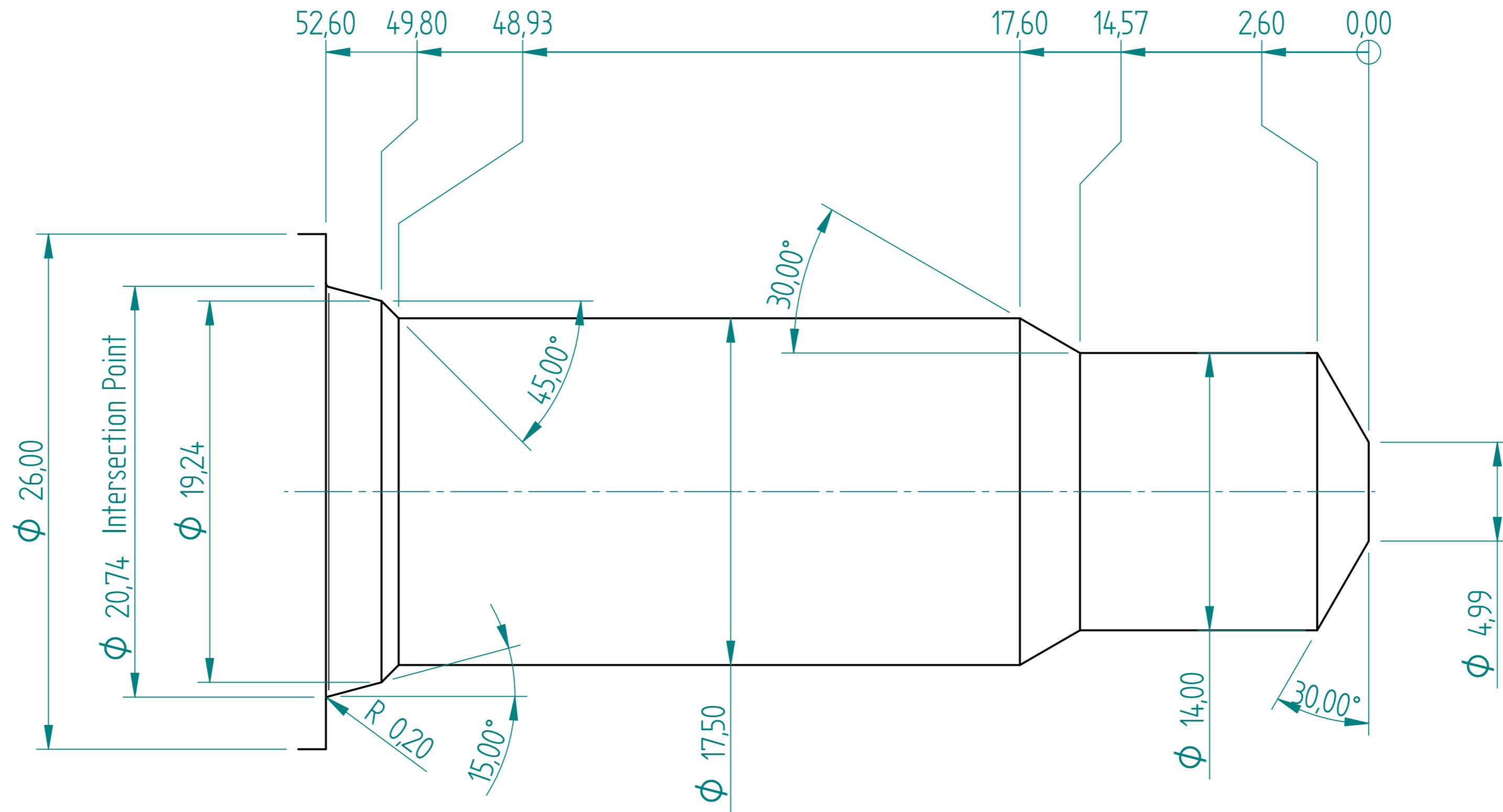




REVISION HISTORY			
REV	DESCRIPTION	DATE	APPROVED



SAE8 LH CAVITY SIZES  
 This is the Cavity size that the Bar must cut

	NAME	DATE	<b>PREMAC</b>		
DRAWN	Dan	02/21/22			
APPROVED			TITLE SAE8 LH		
MATERIAL					
TREATMENT			SIZE A4	DWG NO	REV
UNLESS OTHERWISE SPECIFIED DIMENSIONS ARE IN MILLIMETERS			FILE NAME: SAE8 LH.dft		
1st ANGLE 2 PL ±0.02 3 PL ±0.005			SCALE:	WEIGHT:	SHEET 2 OF 2