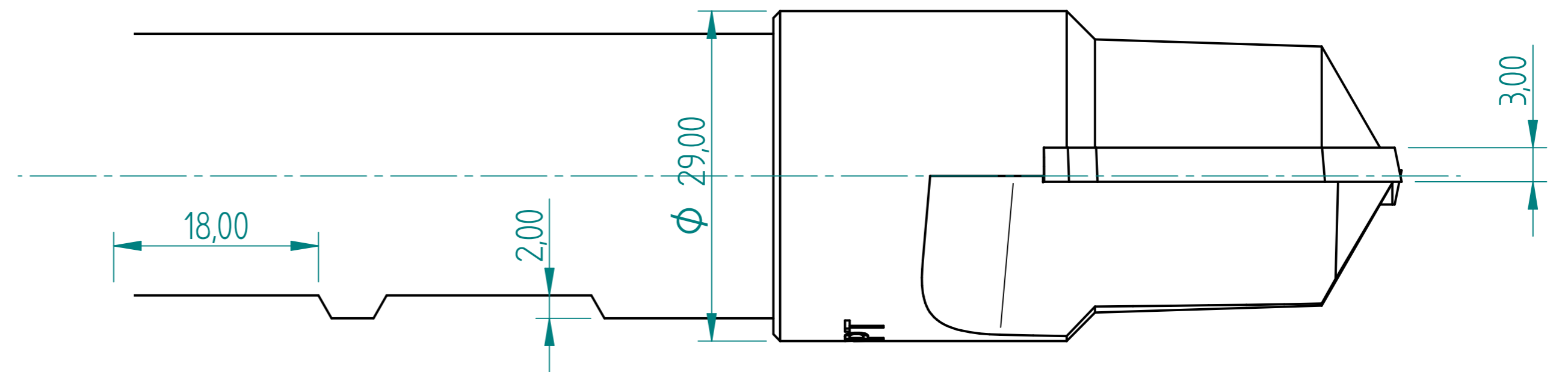
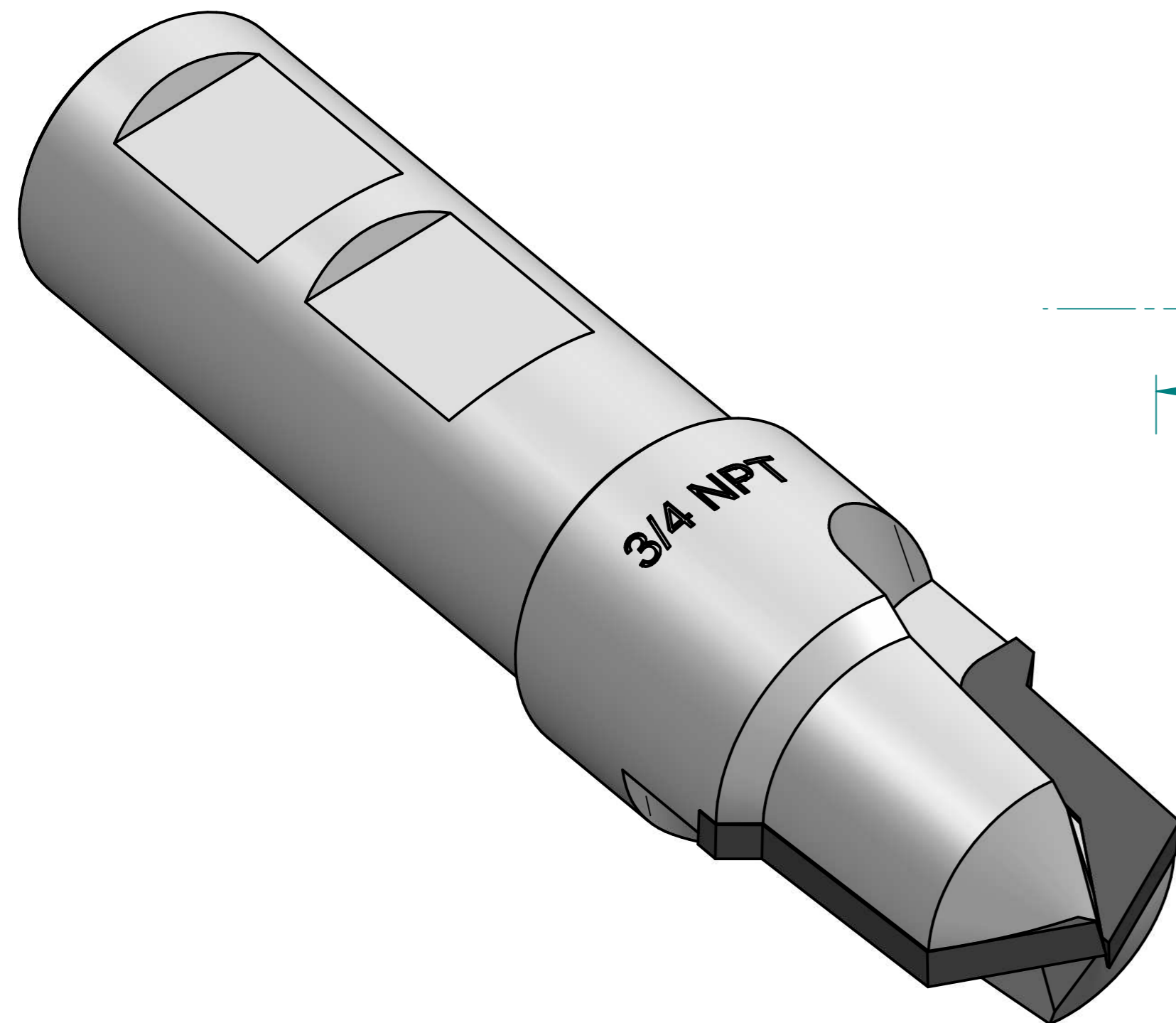
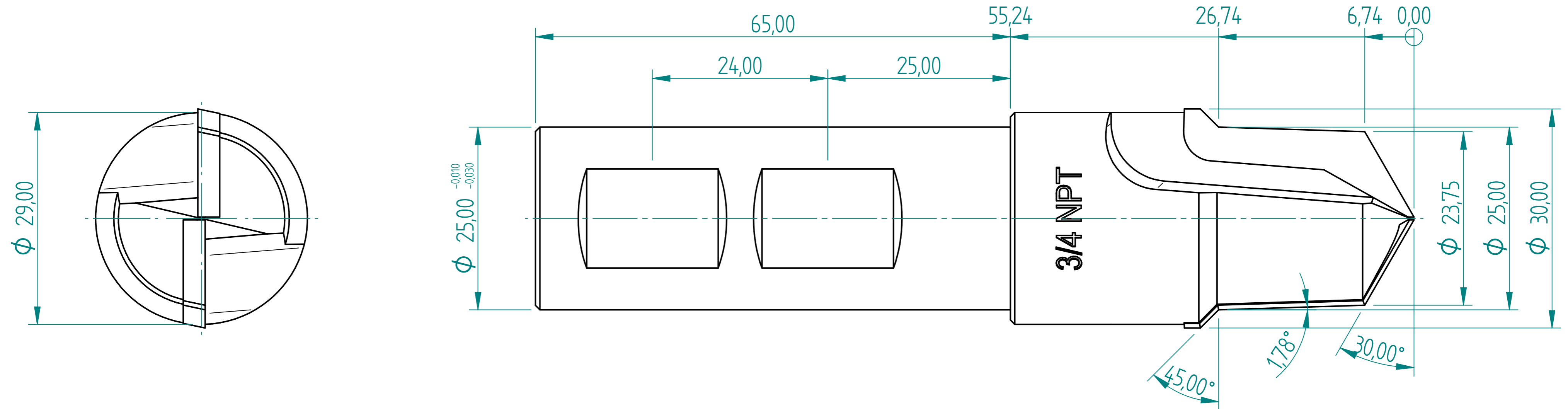


REVISION HISTORY			
REV	DESCRIPTION	DATE	APPROVED



NPT 0.75 Bar

	NAME	DATE	PREMAC	
DRAWN	Dan	10/05/22		
APPROVED			TITLE	
MATERIAL			NPT 0.75 Bar	
TREATMENT			SIZE	DWG NO
UNLESS OTHERWISE SPECIFIED DIMENSIONS ARE IN MILLIMETERS			A4	
1 ST ANGLE ANGLES ±0.1°			FILE NAME: NPT 0.75 Bar.dft	REV
2 PL ±0.02 3 PL ±0.005			SCALE:	WEIGHT: SHEET 1 OF 1