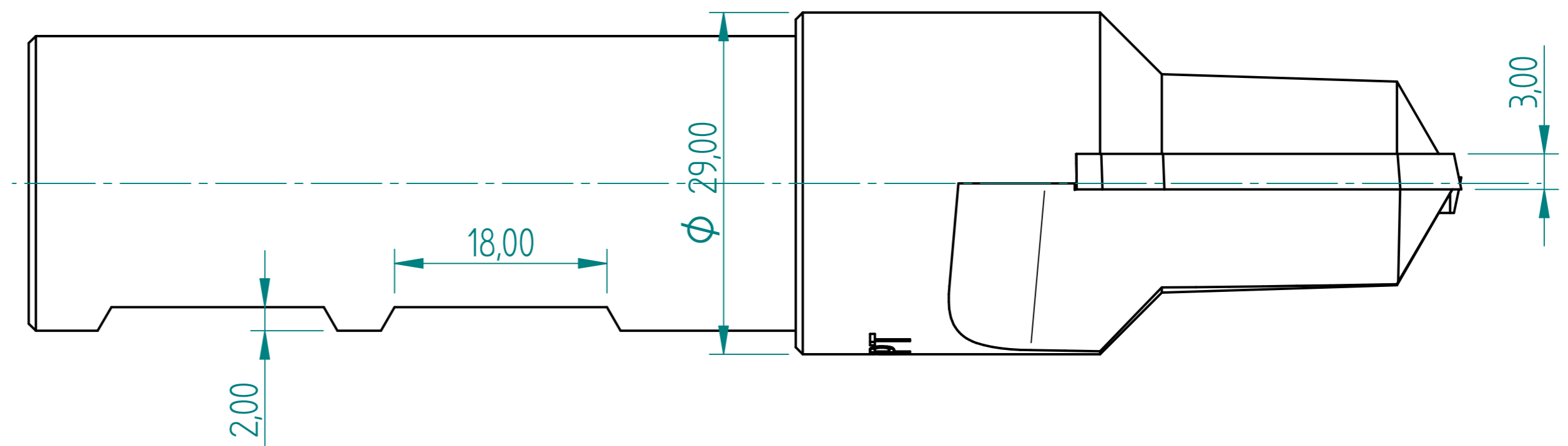
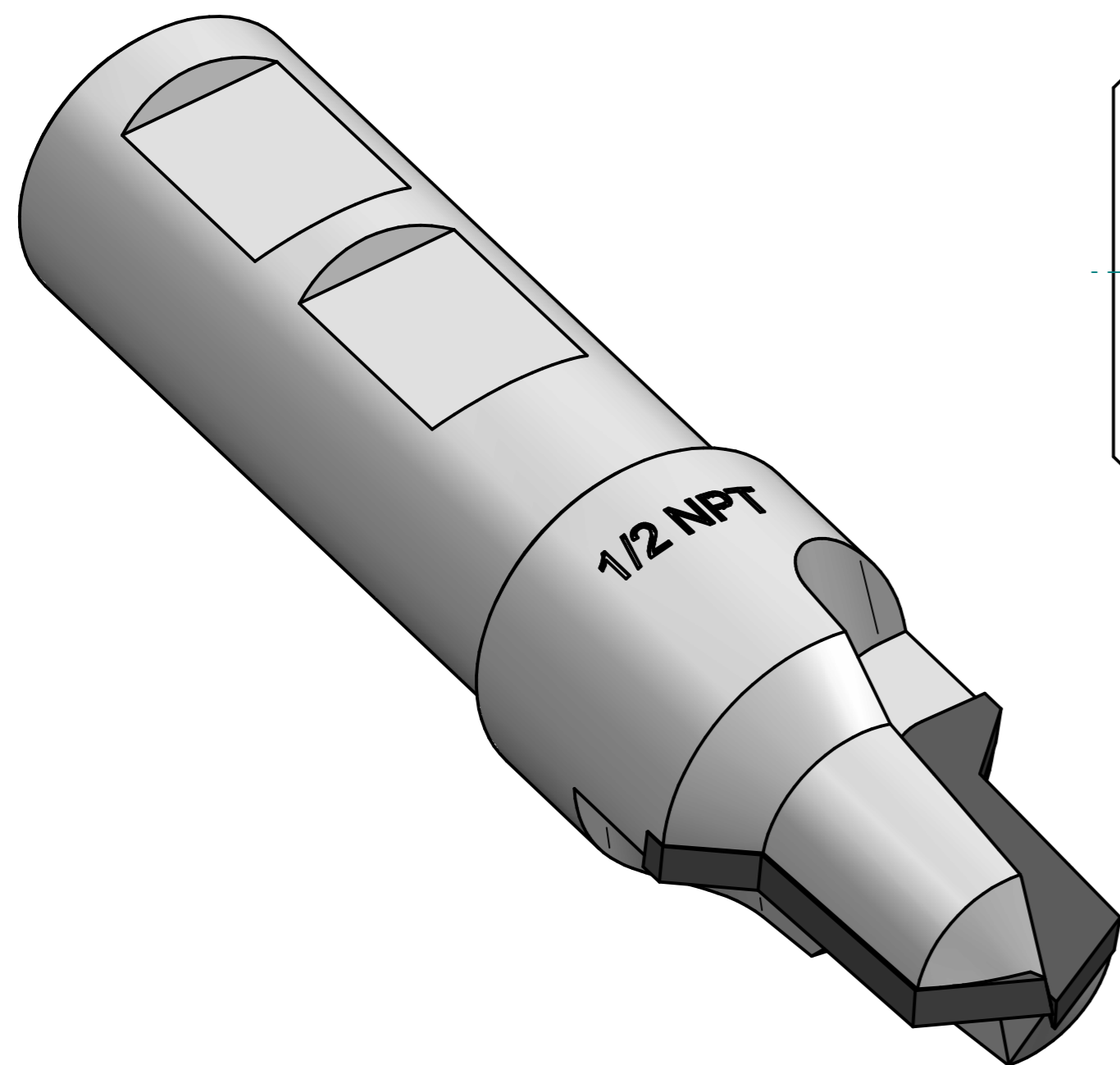
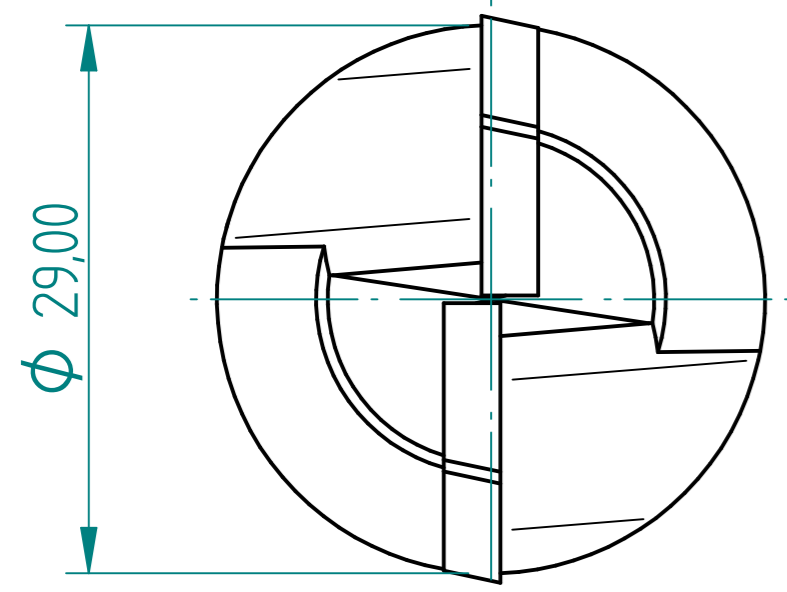
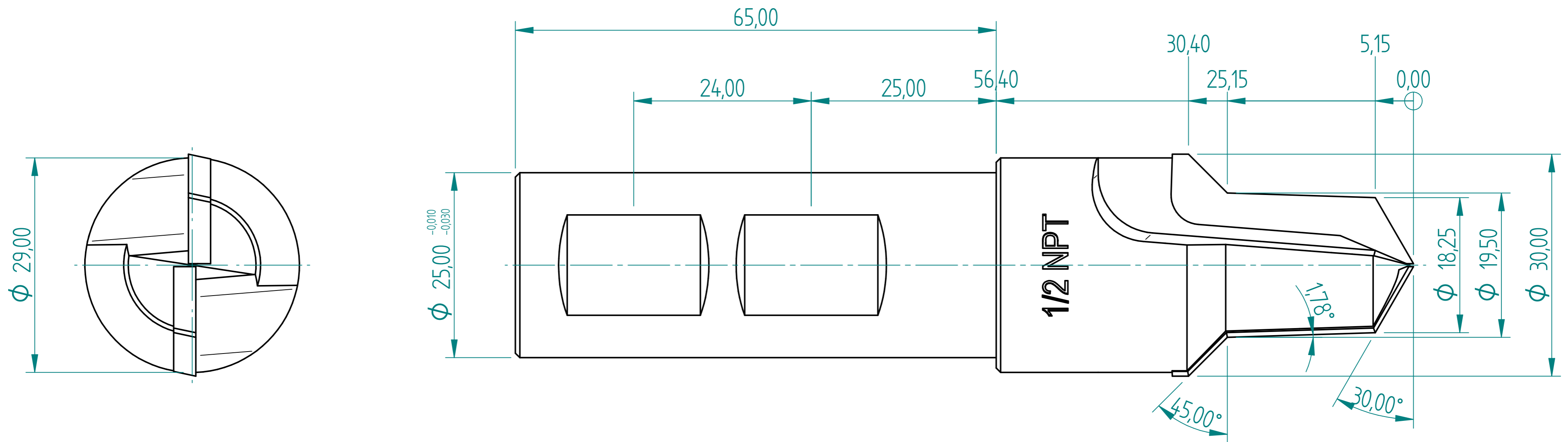


REVISION HISTORY			
REV	DESCRIPTION	DATE	APPROVED



NPT 1/2 BAR

DRAWN		NAME	DATE	PREMAC	
APPROVED		Dan	10/05/22		
MATERIAL		TITLE			REV
TREATMENT		NPT 1/2 BAR			
UNLESS OTHERWISE SPECIFIED DIMENSIONS ARE IN MILLIMETERS				SIZE	DWG NO
ANGLES ±0,1°				A4	
1st ANGLE				FILE NAME: NPT 0.5 Bar.dft	
2 PL ±0,02 3 PL ±0,005				SCALE:	WEIGHT: SHEET 1 OF 1