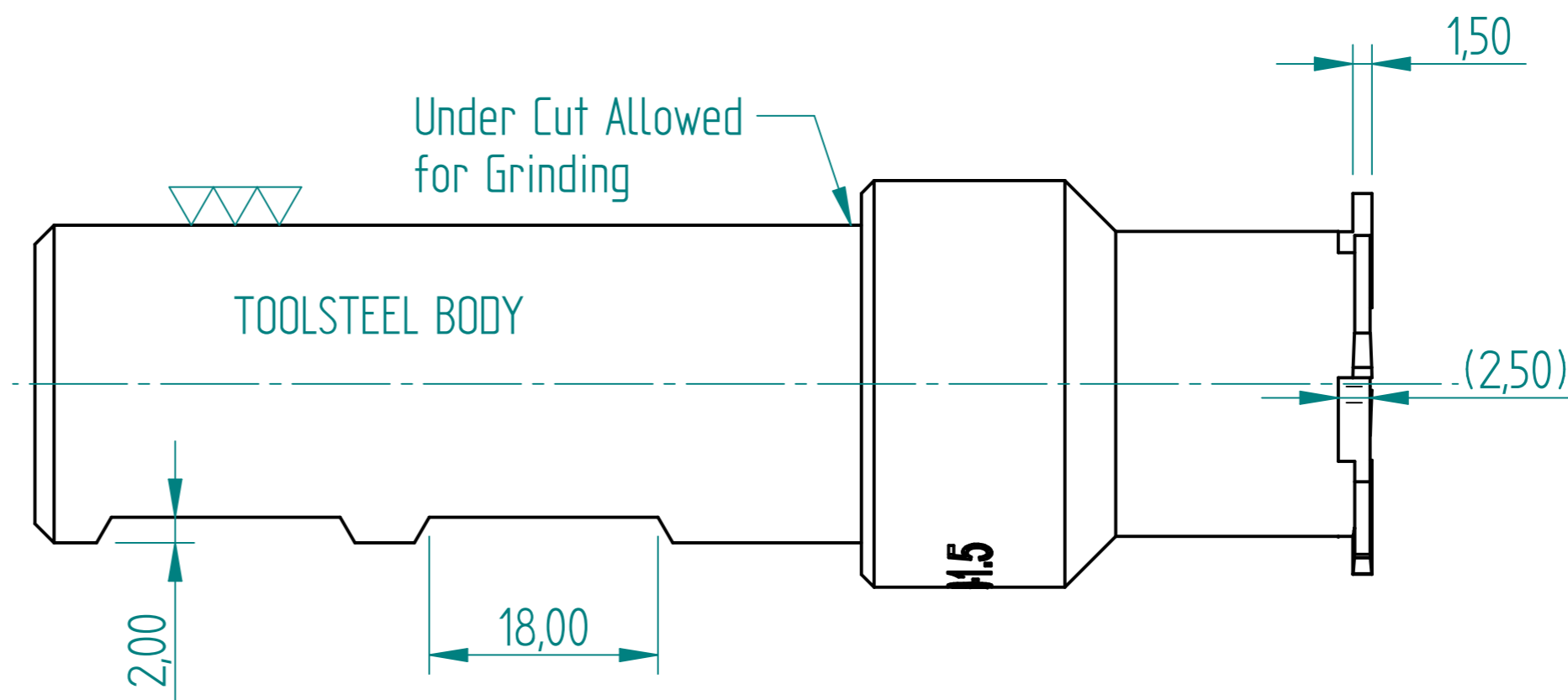
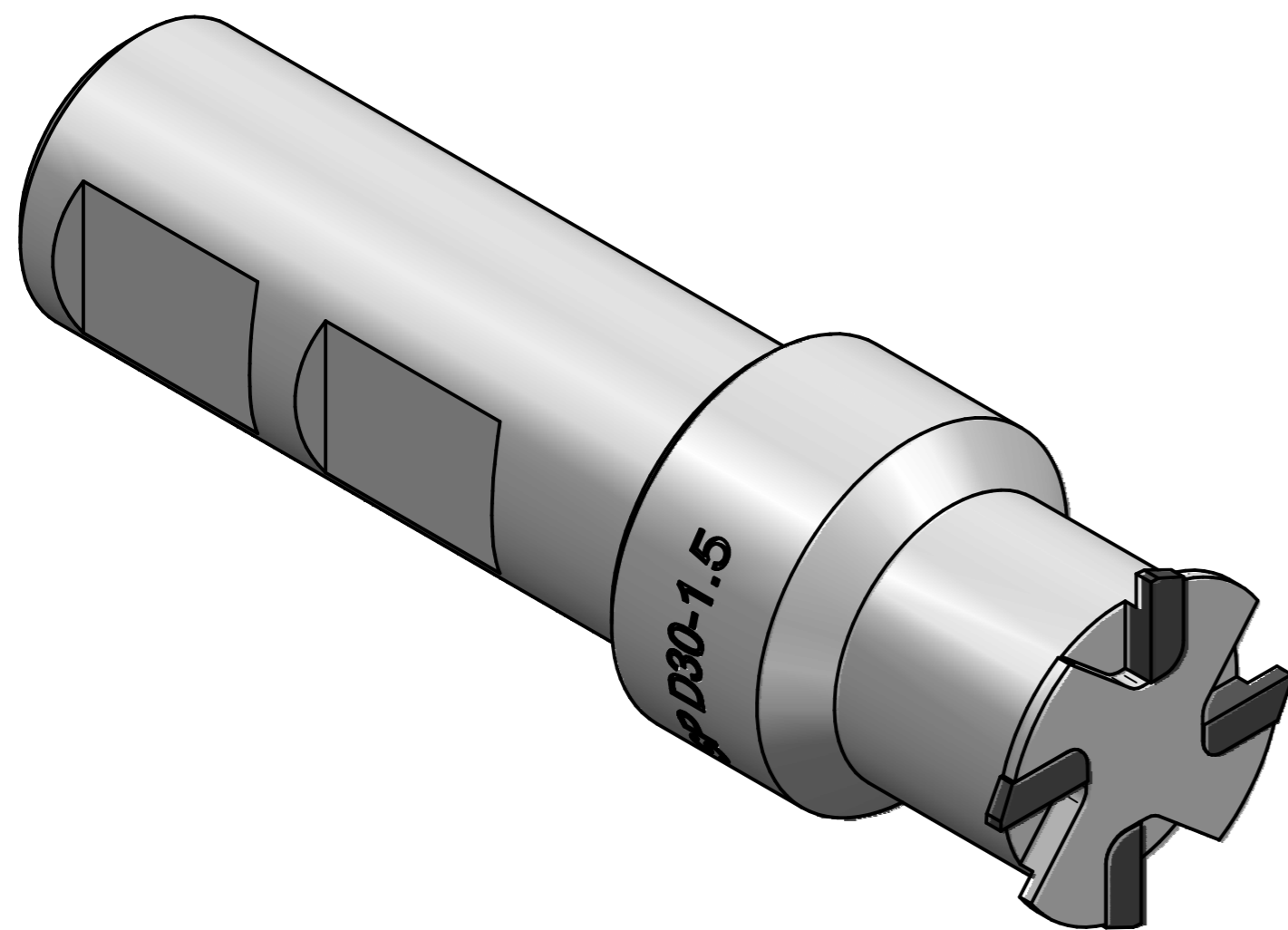
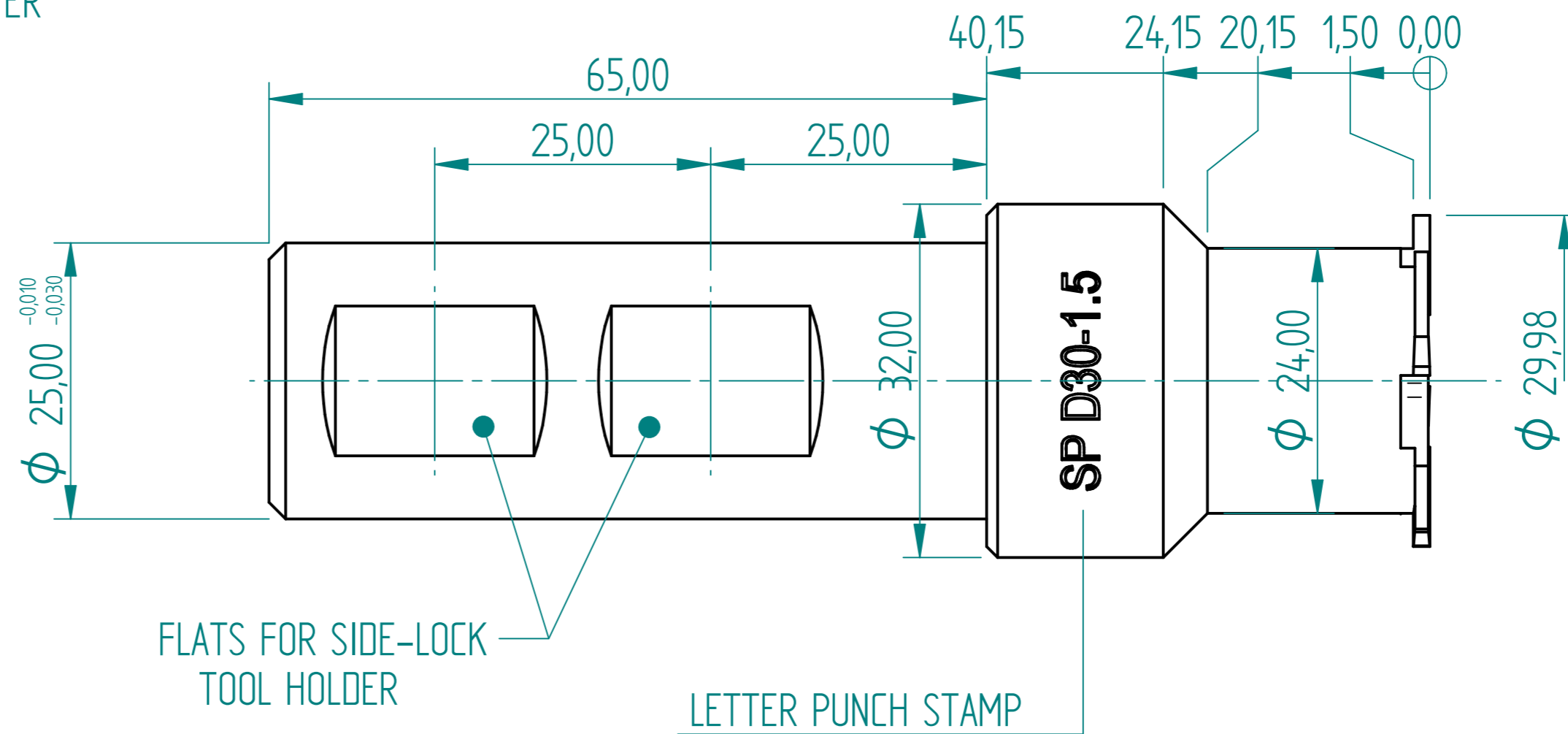
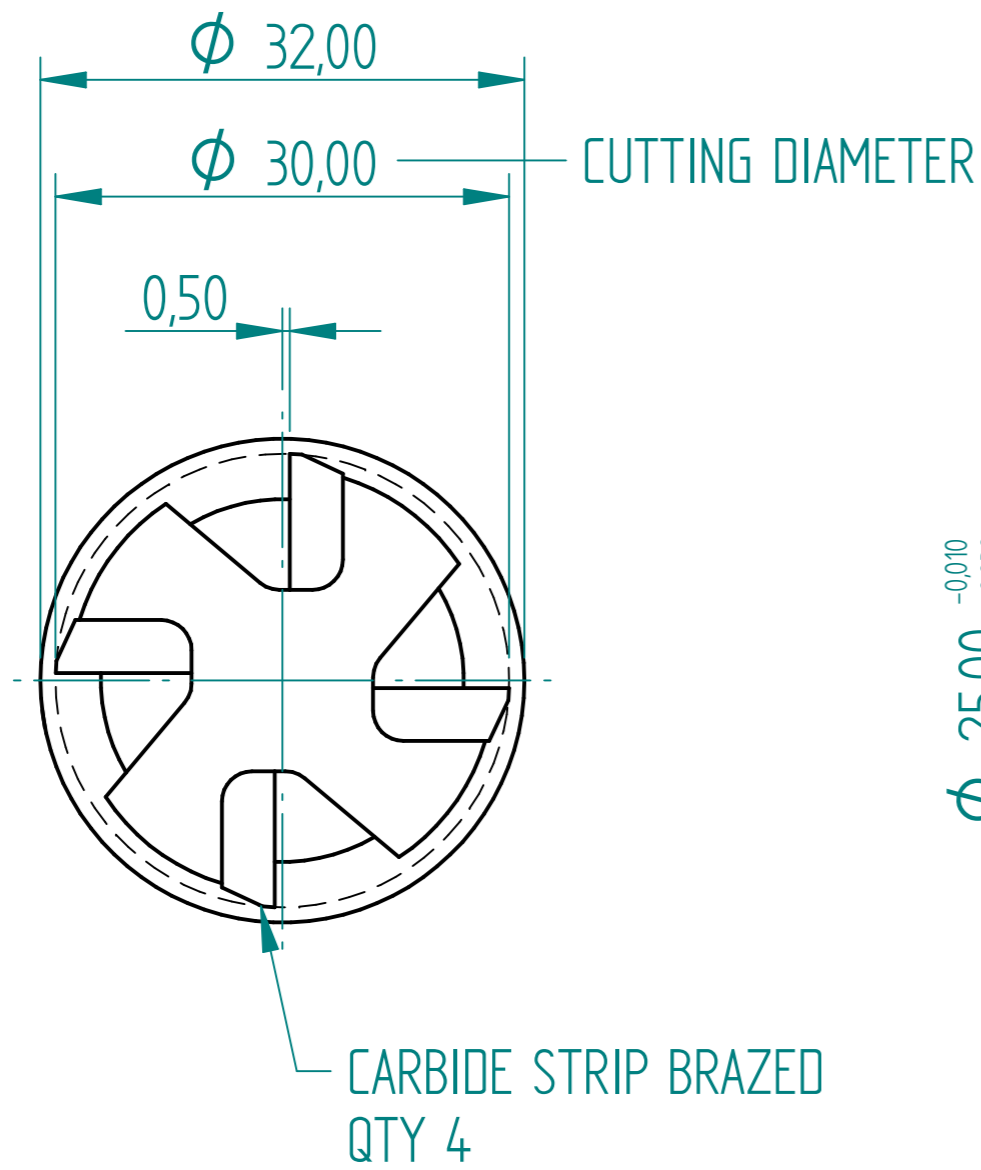


REVISION HISTORY			
REV	DESCRIPTION	DATE	APPROVED



SP D30 - 1.5
 used for machining Cir-Clip Groove in Cast Iron
 Tool Cutter Dia 30mm - 1.5mm

	NAME	DATE	PREMAC		
DRAWN	Dan	02/24/22			
APPROVED			TITLE Cir Clip Groove		
MATERIAL					
TREATMENT			SIZE A4	DWG NO	REV
UNLESS OTHERWISE SPECIFIED DIMENSIONS ARE IN MILLIMETERS			FILE NAME: Cir Clip Groove.dft		
1 ST ANGLE 2 PL \pm 0.02 3 PL \pm 0.005			SCALE:	WEIGHT:	SHEET 1 OF 1