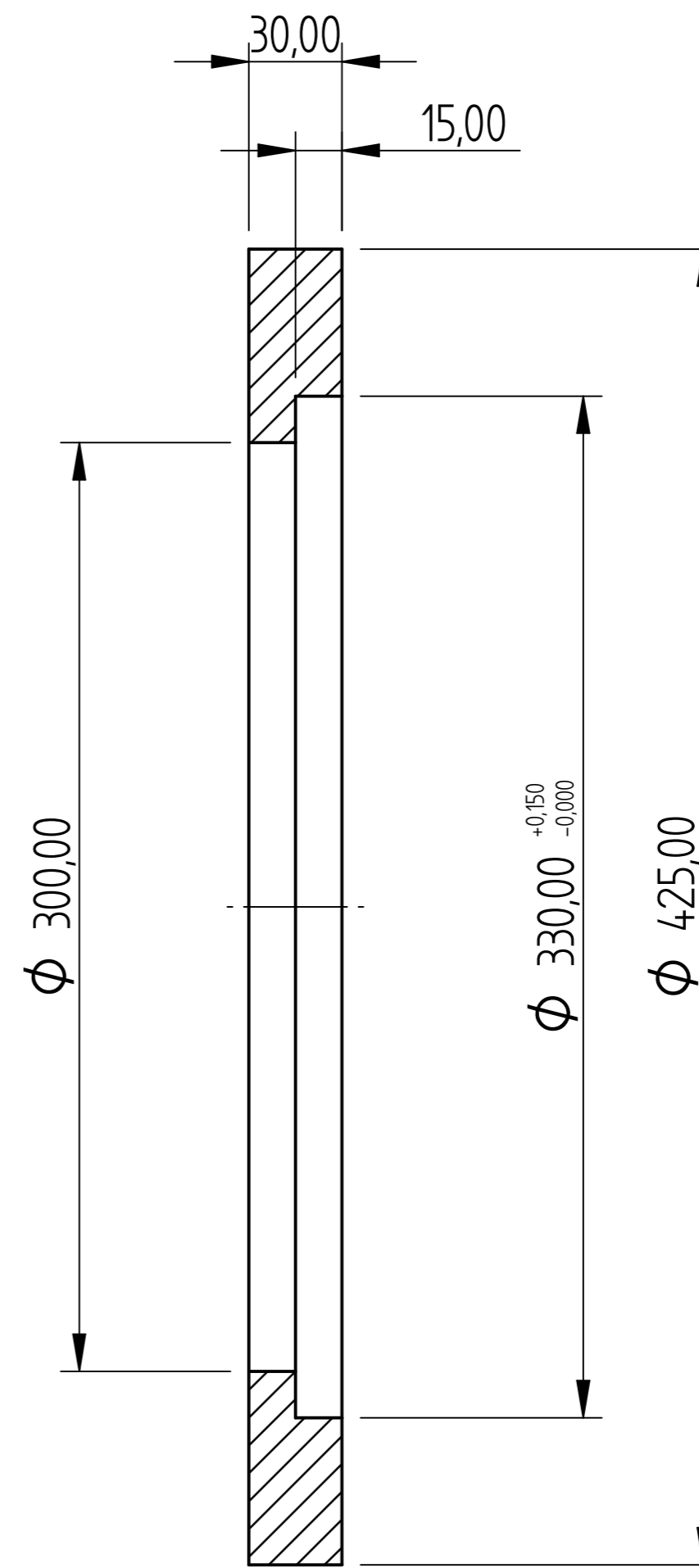
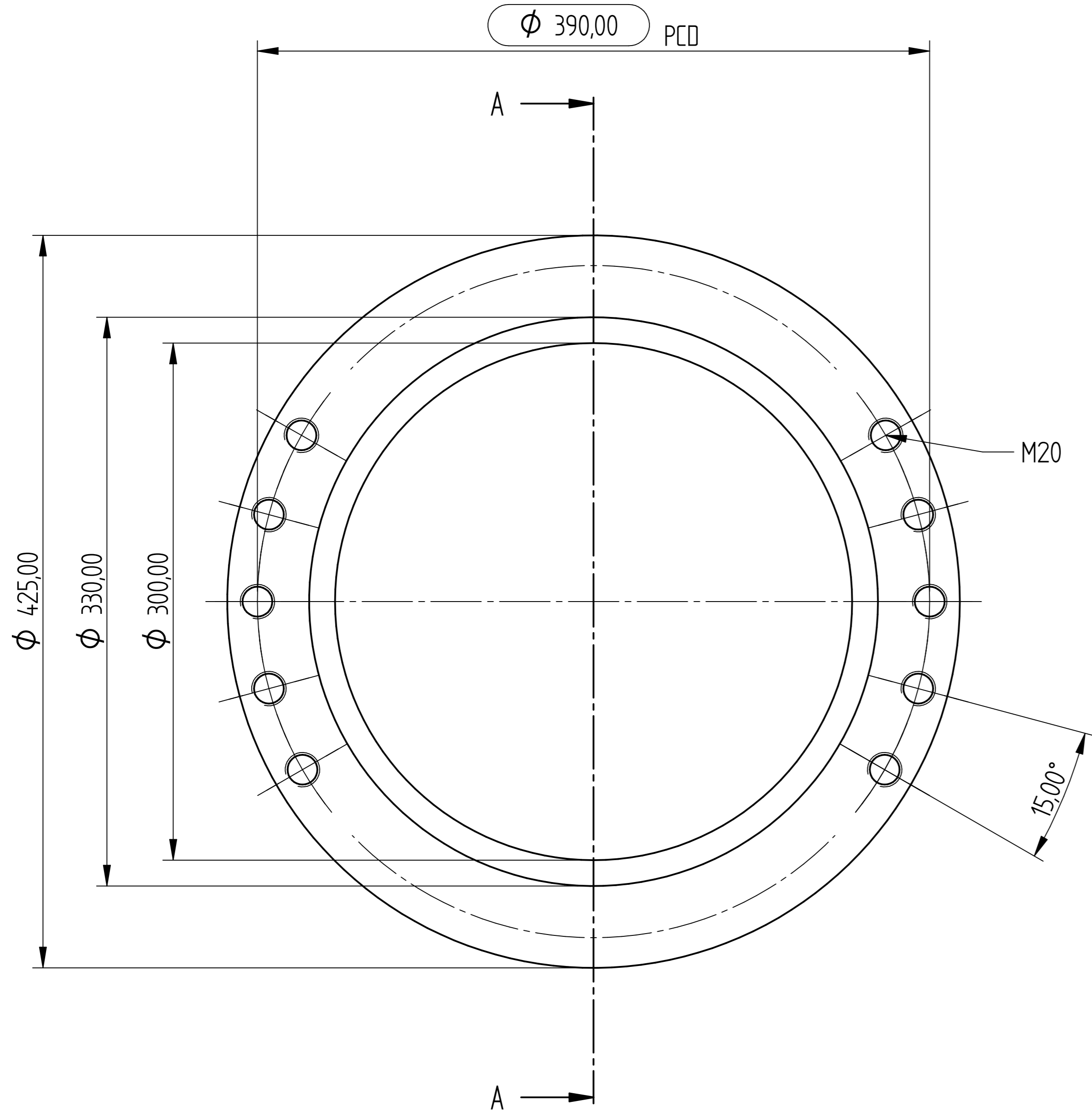


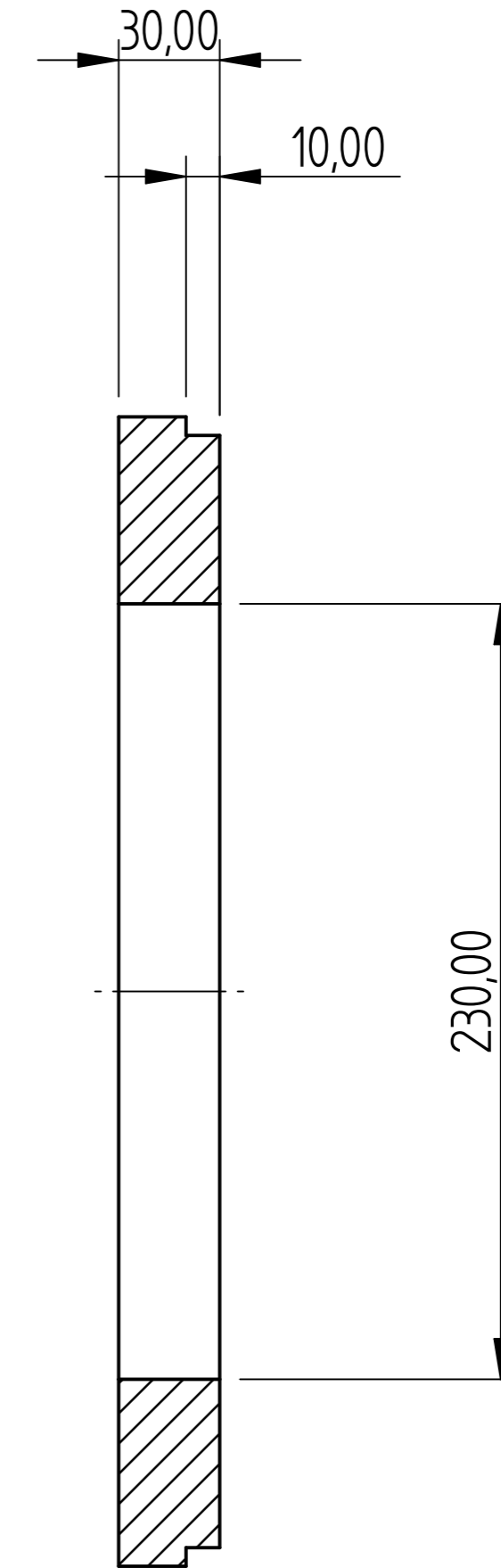
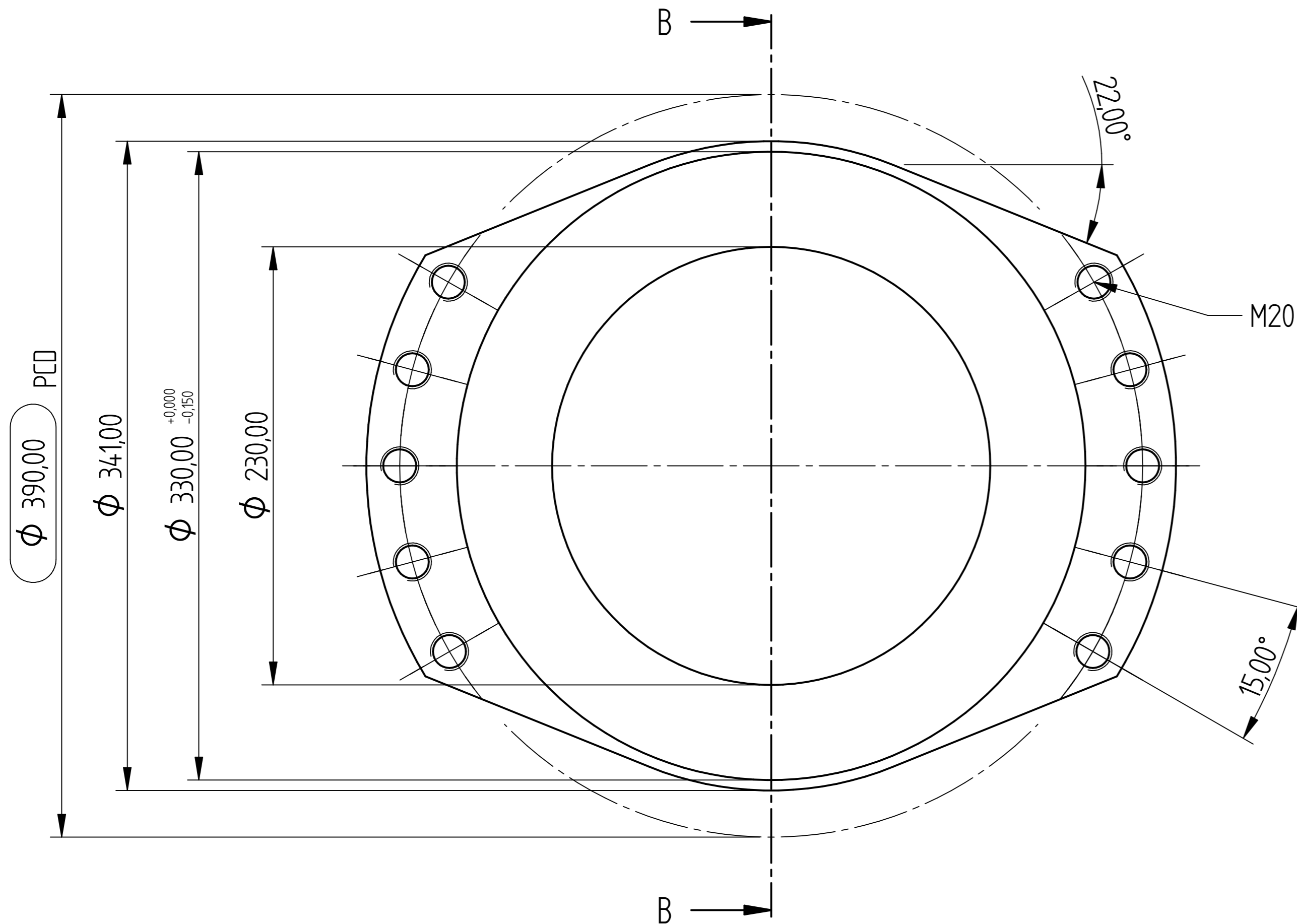
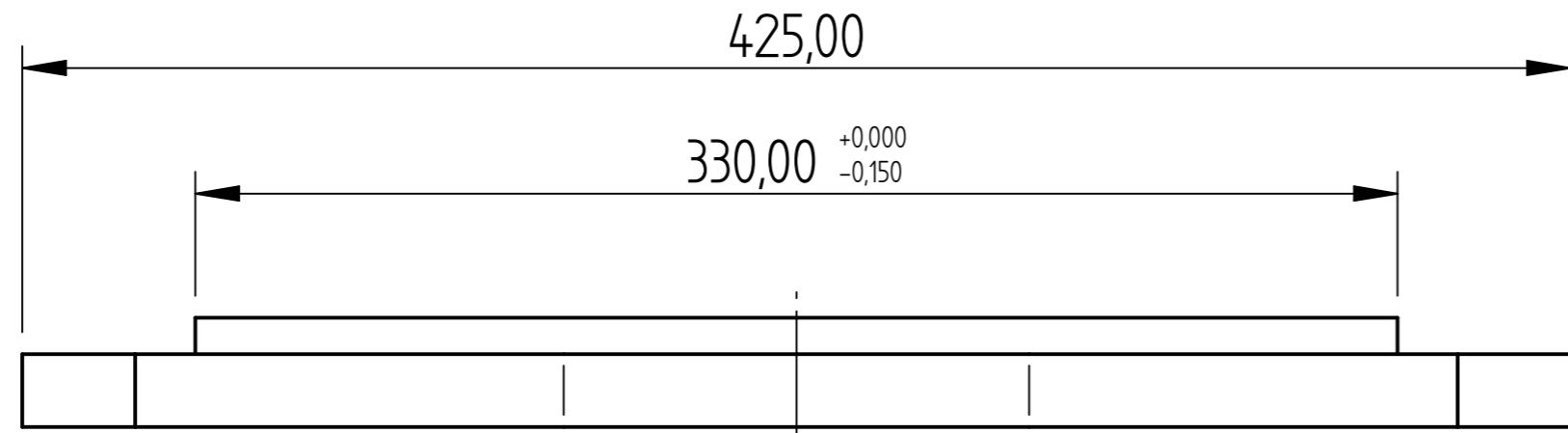
REVISION HISTORY			
REV	DESCRIPTION	DATE	APPROVED



SECTION A-A

DRAWN	NAME	DATE	PREMAC		
APPROVED	Dan	05/27/13			
MATERIAL					
TREATMENT					
UNLESS OTHERWISE SPECIFIED DIMENSIONS ARE IN MILLIMETERS			SIZE A4	DWG NO	REV
1 ST ANGLE ANGLES $\pm 0,1^\circ$			FILE NAME: Wheel Spacer.dft		
2 PL $\pm 0,02$ 3 PL $\pm 0,005$			SCALE:	WEIGHT:	SHEET 1 OF 2

REVISION HISTORY			
REV	DESCRIPTION	DATE	APPROVED



SECTION B-B

DRAWN	NAME	DATE	PREMAC		
APPROVED	Dan	05/27/13			
MATERIAL					
TREATMENT					
UNLESS OTHERWISE SPECIFIED DIMENSIONS ARE IN MILLIMETERS			SIZE	DWG NO	REV
1 ST ANGLE ANGLES ±0.1°			A4		
2 PL ±0.02 3 PL ±0.005			FILE NAME: Wheel Spacer.dft		
SCALE:		WEIGHT:	SHEET 2 OF 2		