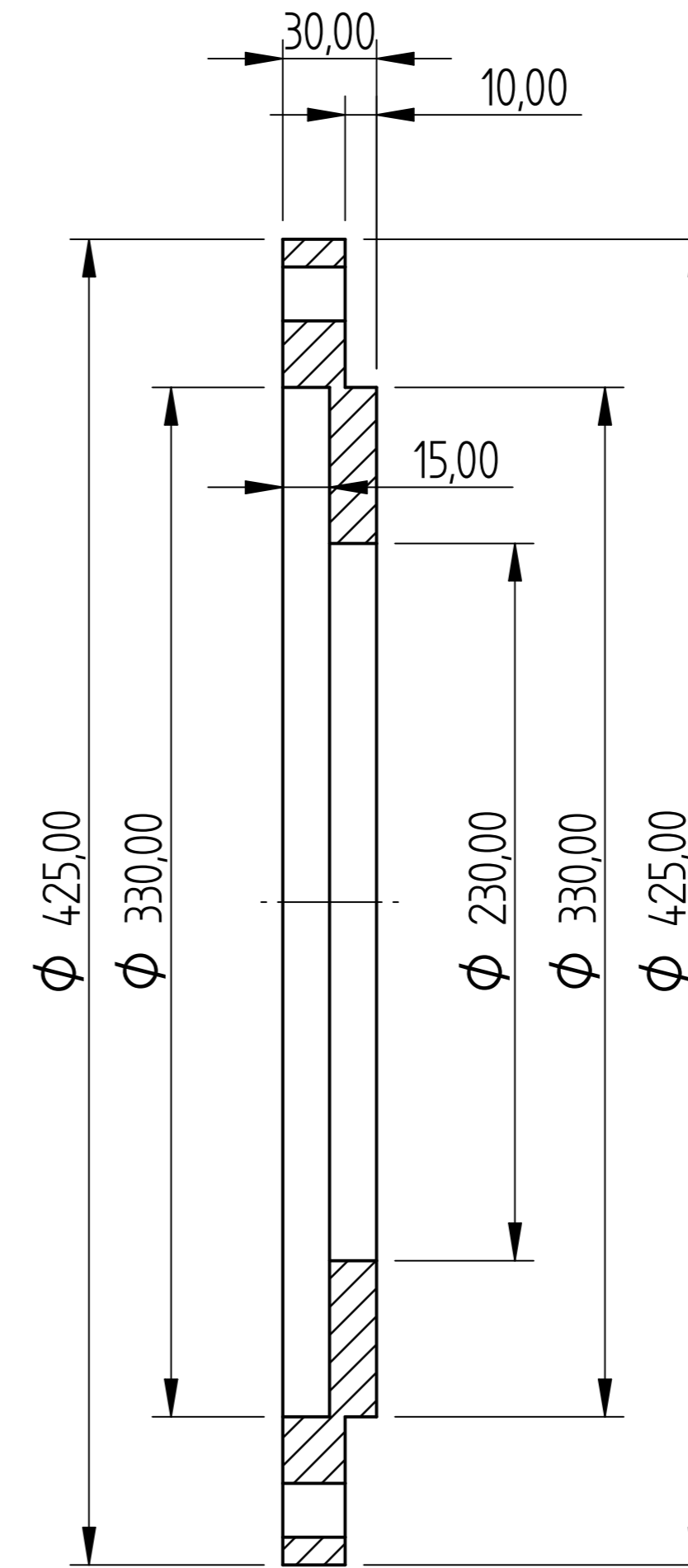
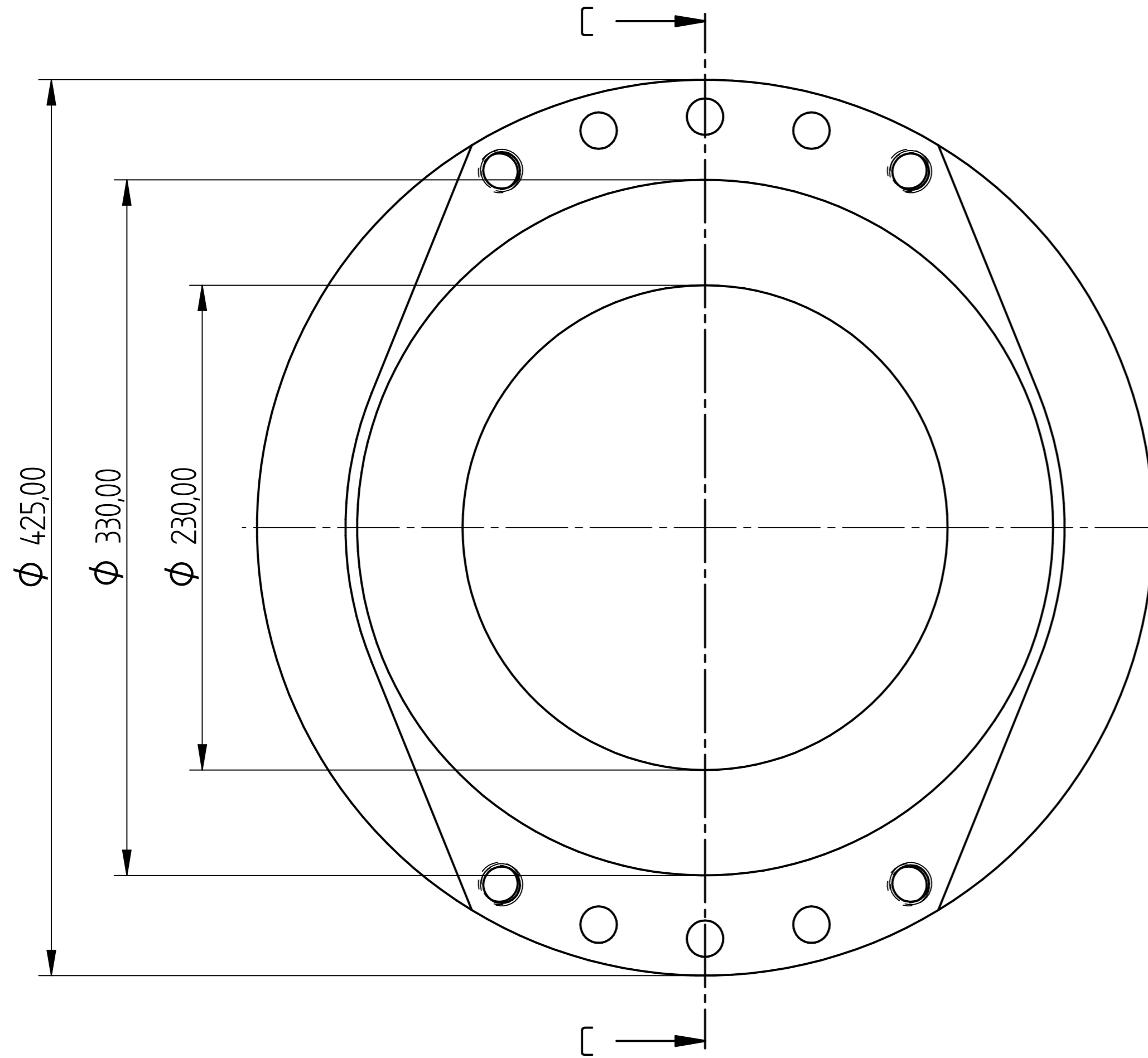
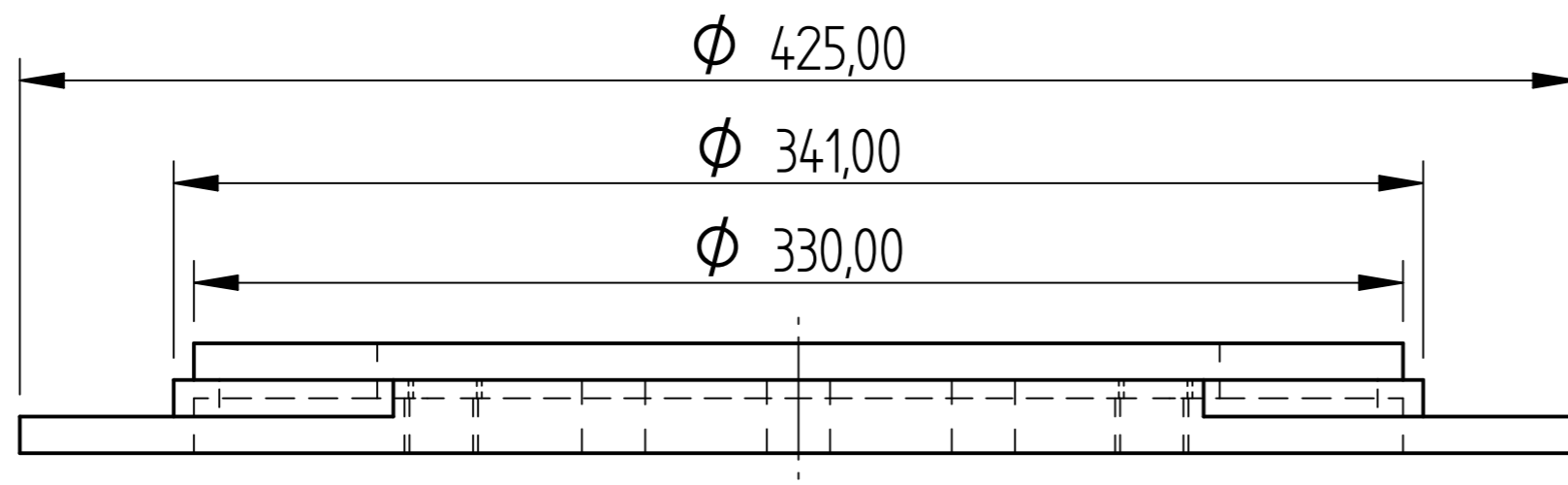


REVISION HISTORY			
REV	DESCRIPTION	DATE	APPROVED



SECTION C-C

	NAME	DATE	<b>PREMAC</b>	
DRAWN	Dan	05/27/13		
APPROVED				
MATERIAL				
TREATMENT			TITLE	
UNLESS OTHERWISE SPECIFIED DIMENSIONS ARE IN MILLIMETERS			SIZE A4	DWG NO
1 <sup>ST</sup> ANGLE ANGLES $\pm 0.1^\circ$			FILE NAME: Wheel Spacer.dft	
2 PL $\pm 0.02$ 3 PL $\pm 0.005$			SCALE:	WEIGHT:
			SHEET 3 OF 3	