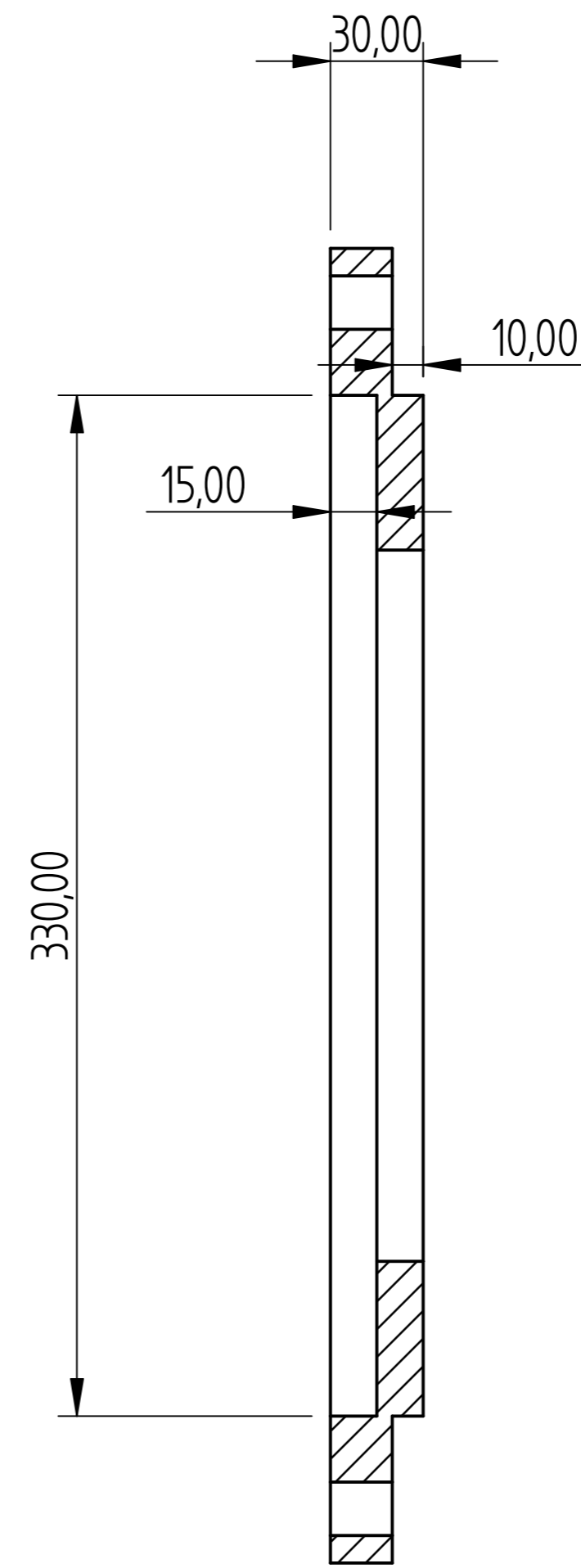
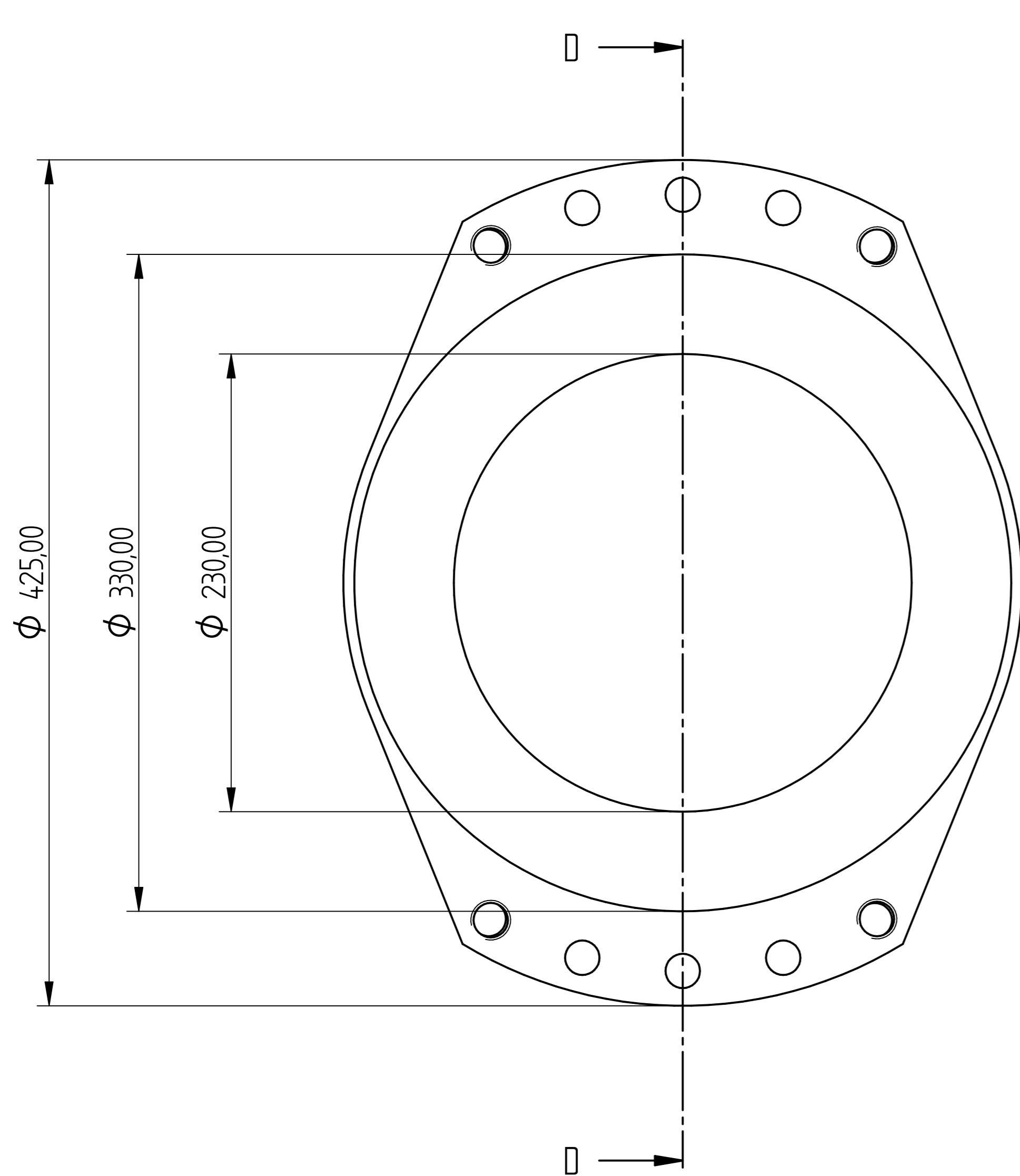


REVISION HISTORY			
REV	DESCRIPTION	DATE	APPROVED



SECTION D-D

	NAME	DATE	<b>PREMAC</b>		
DRAWN	Dan	05/27/13			
APPROVED			TITLE		
MATERIAL					
TREATMENT			SIZE	DWG NO	REV
UNLESS OTHERWISE SPECIFIED DIMENSIONS ARE IN MILLIMETERS			A4		
1 <sup>ST</sup> ANGLE ANGLES $\pm 0,1^\circ$			FILE NAME: Wheel Spacer.dft		
2 PL $\pm 0,02$ 3 PL $\pm 0,005$			SCALE:	WEIGHT:	SHEET 4 OF 4