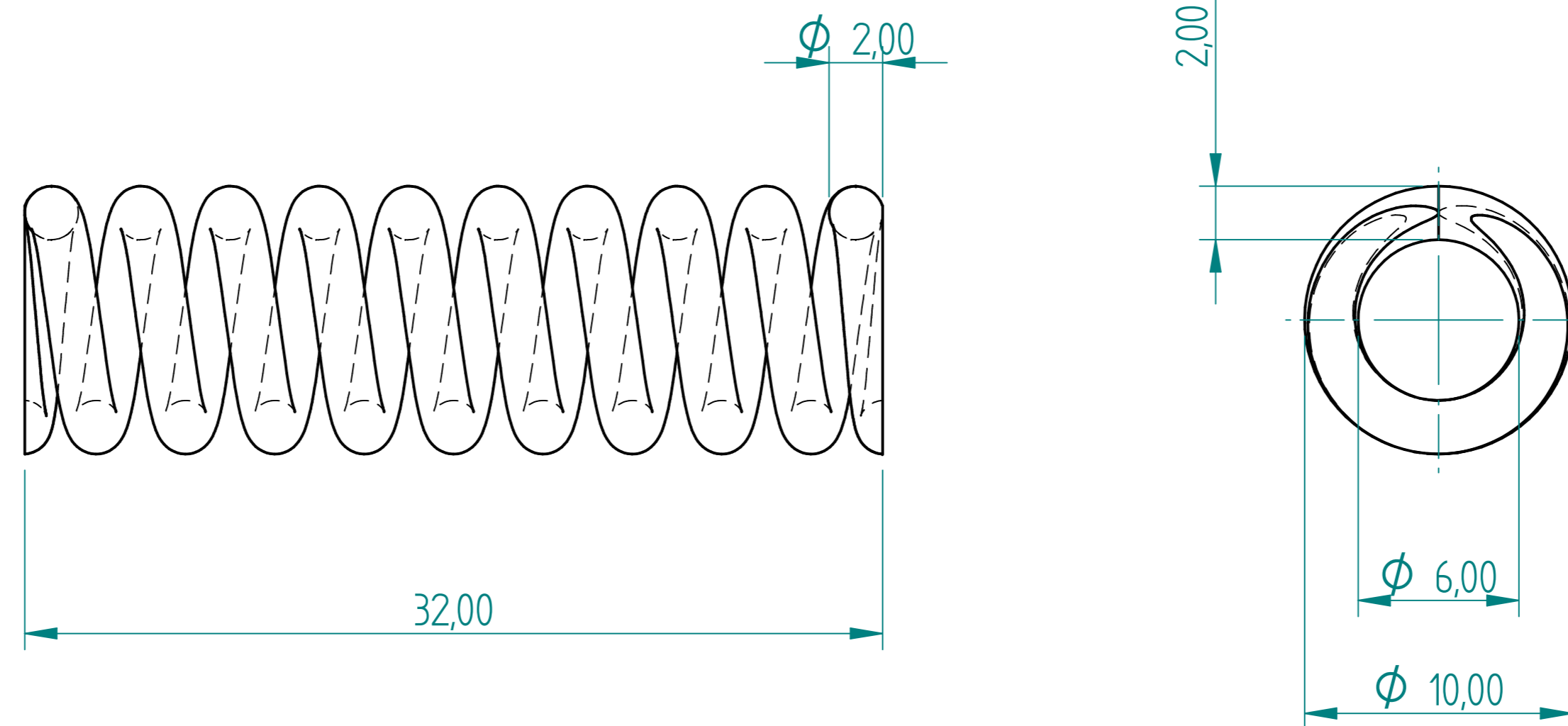


REVISION HISTORY			
REV	DESCRIPTION	DATE	APPROVED



V45 RELIEF SPRING
9 ACTIVE COILS

	NAME	DATE	PREMAC	
DRAWN	Dan	04/11/18		
APPROVED				
MATERIAL				
TREATMENT			TITLE	
UNLESS OTHERWISE SPECIFIED DIMENSIONS ARE IN MILLIMETERS			SIZE A4	DWG NO
1 ST ANGLE ANGLES $\pm 0,1^\circ$			FILE NAME: Relief Cartridge.dft	
2 PL $\pm 0,02$ 3 PL $\pm 0,005$			SCALE:	WEIGHT:
			SHEET 2 OF 2	