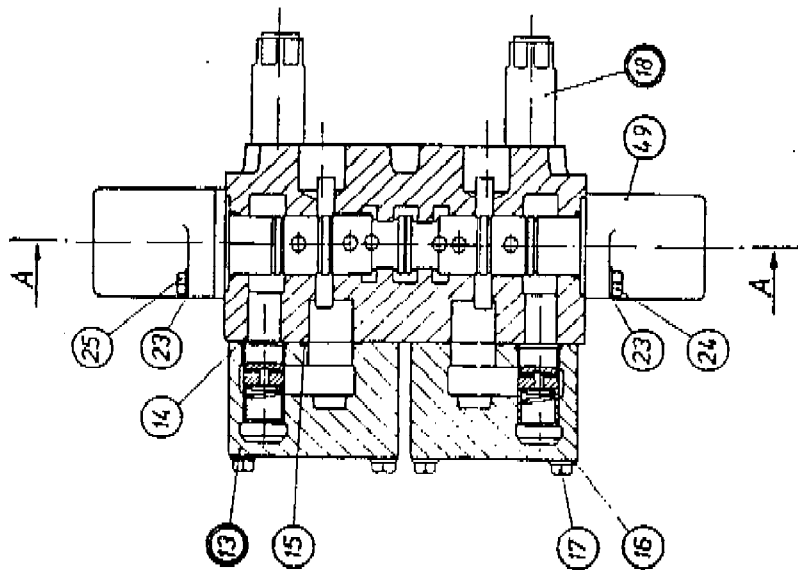
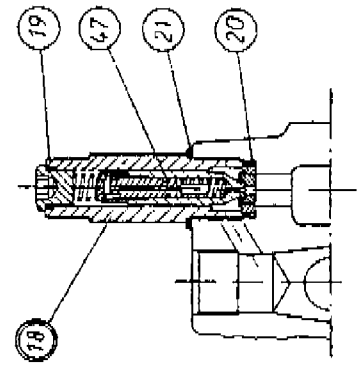
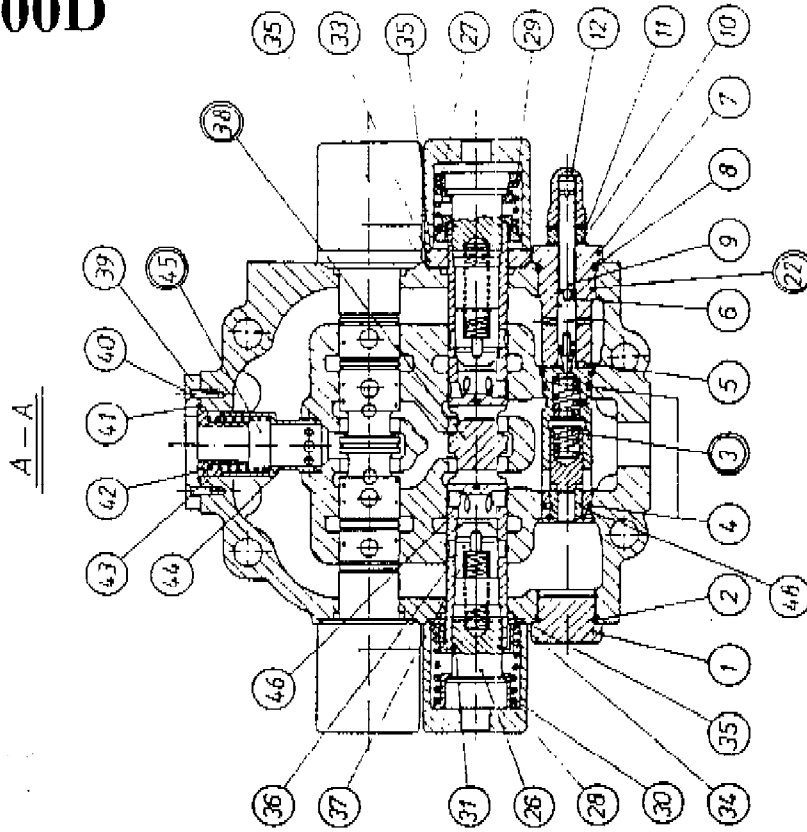


T ORO300D

TAMROCK



300D FLP-8

8 : 20

May 95



TEAMROCK

BUCKET CONTROL VALVE - TS 4702037 (04702992¹¹)

	ITEM NO:	PART NO:	DESCRIPTION:	QTY:
R1454.03	3	TS 4702618	RELIEF VALVE SEAT ASSEMBLY INC. ITEMS 4 & 48	1
	5	TS 4702589	VALVE CONE	1
	6	TS 4702572	SPRING	1
	13	TS 4702616	VALVE ASSEMBLY INC. ITEM 14 - 17	4
	18	TS 4702615	SAFETY VALVE ASSEMBLY	4
R2509.78	22	TS 4702614	RELIEF VALVE ASSEMBLY	1
	35	TS 4702532	SEAL	6
	45	TS 4702613	VALVE ASSEMBLY INC. ITEM 39 - 44	1
	49	TS 4702535	HOUSING	4
	50	TS 4702617	SEAL KIT INC. ITEMS 2, 4, 8, 11, 14, 15, 19, 20, 21, 31, 41, 47, & 48.	1