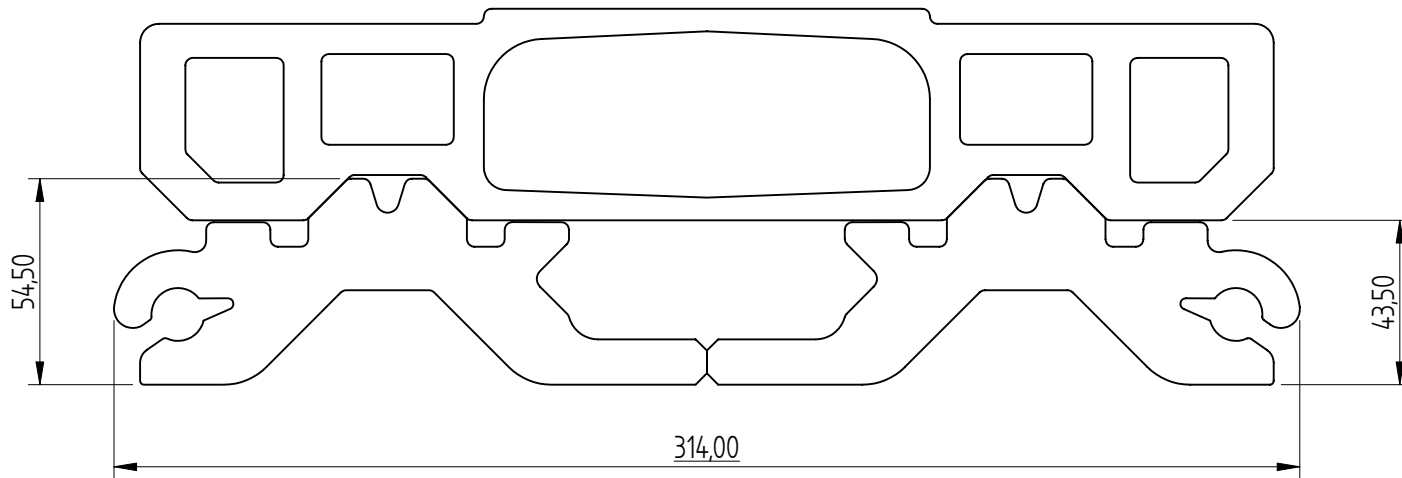
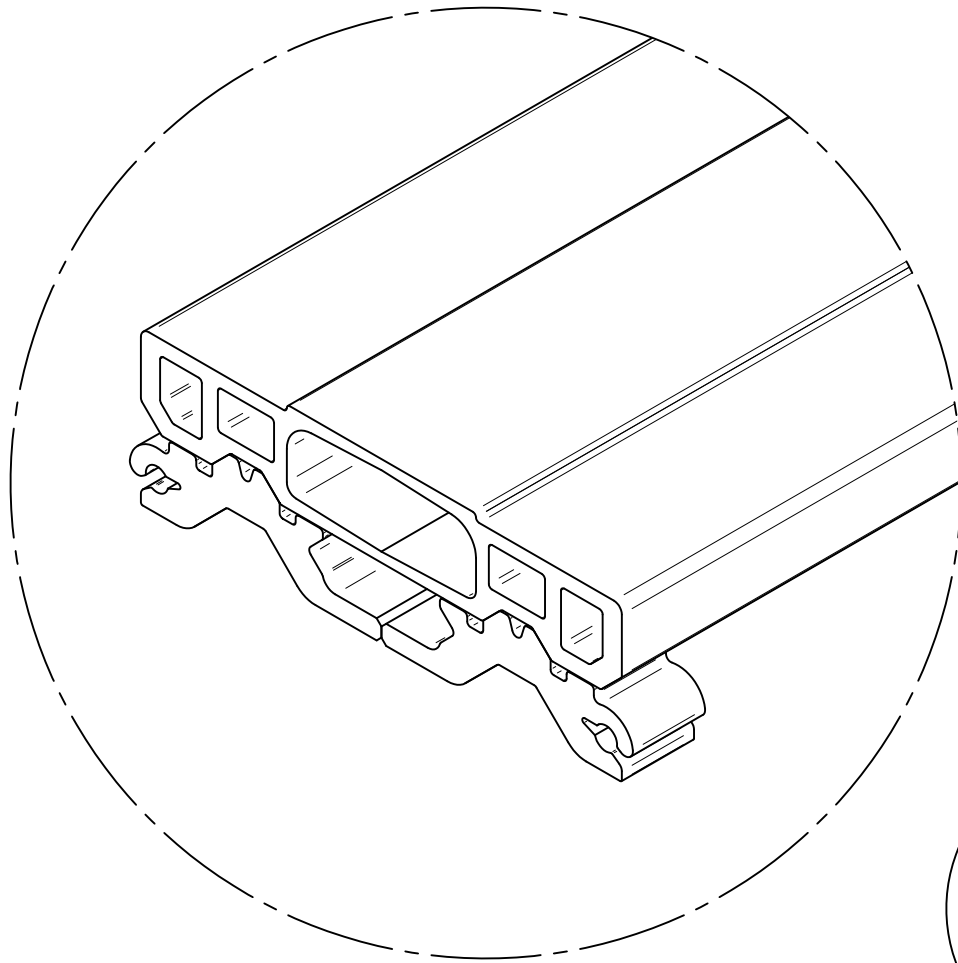


REVISION HISTORY			
REV	DESCRIPTION	DATE	APPROVED

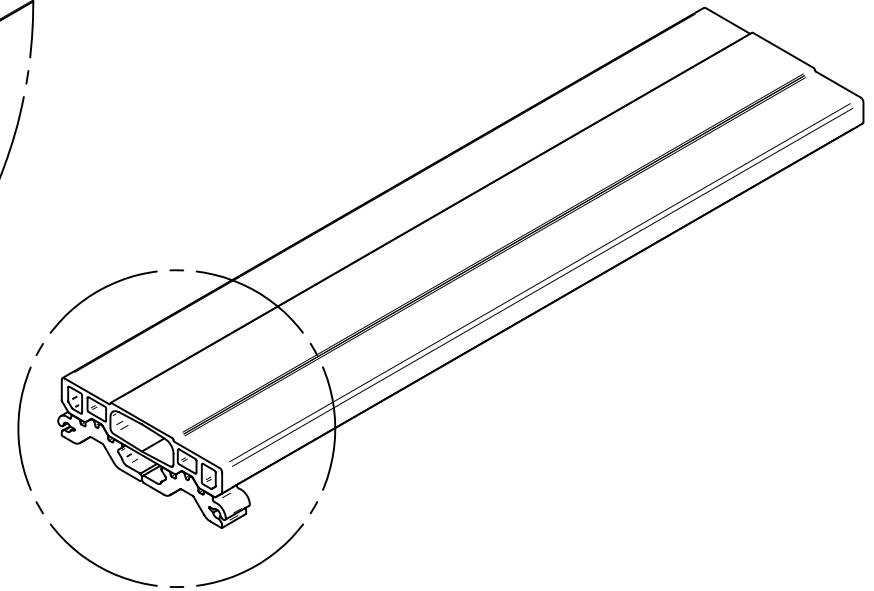


	NAME	DATE	HYDROFLOOR	
DRAWN	Dan	04/16/08	MANUFACTURING (PTY) LTD	
APPROVED			TITLE	
MATERIAL			ALU FEET BRIDGE ASS	
TREATMENT			SIZE	DWG NO
UNLESS OTHERWISE SPECIFIED DIMENSIONS ARE IN MILLIMETERS ANGLES ±0,1°			A2	RW-12-02-00
2 PL ±0,02 3 PL ±0,005			FILE NAME:	RW-12-02-00.dft
			SCALE:	WEIGHT:
			SHEET 1 OF 2	

REVISION HISTORY			
REV	DESCRIPTION	DATE	APPROVED



DETAIL A



A

	NAME	DATE	HYDROFLOOR	
DRAWN	Dan	04/16/08	MANUFACTURING (PTY) LTD	
APPROVED			TITLE	
MATERIAL			ALU FEET BRIDGE ASS	
TREATMENT			SIZE	DWG NO
			A2	RW-12-02-00
			FILE NAME:	REV
			RW-12-02-00.dft	
			SCALE:	WEIGHT:
				SHEET 2 OF 2

UNLESS OTHERWISE SPECIFIED
DIMENSIONS ARE IN MILLIMETERS
ANGLES ±0.1°
2 PL ±0.02 3 PL ±0.005