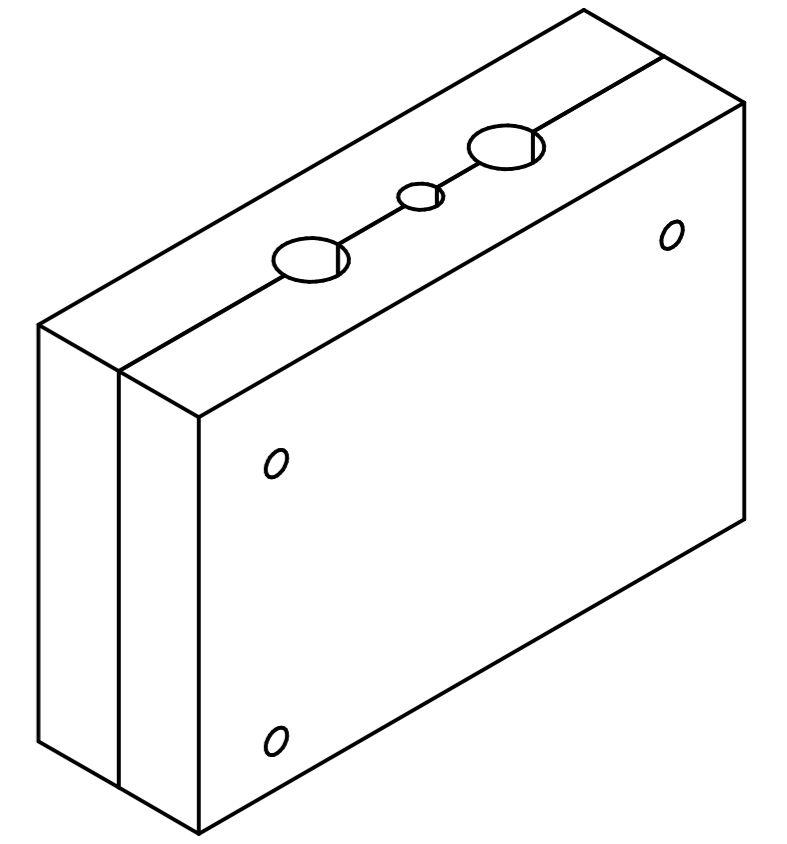
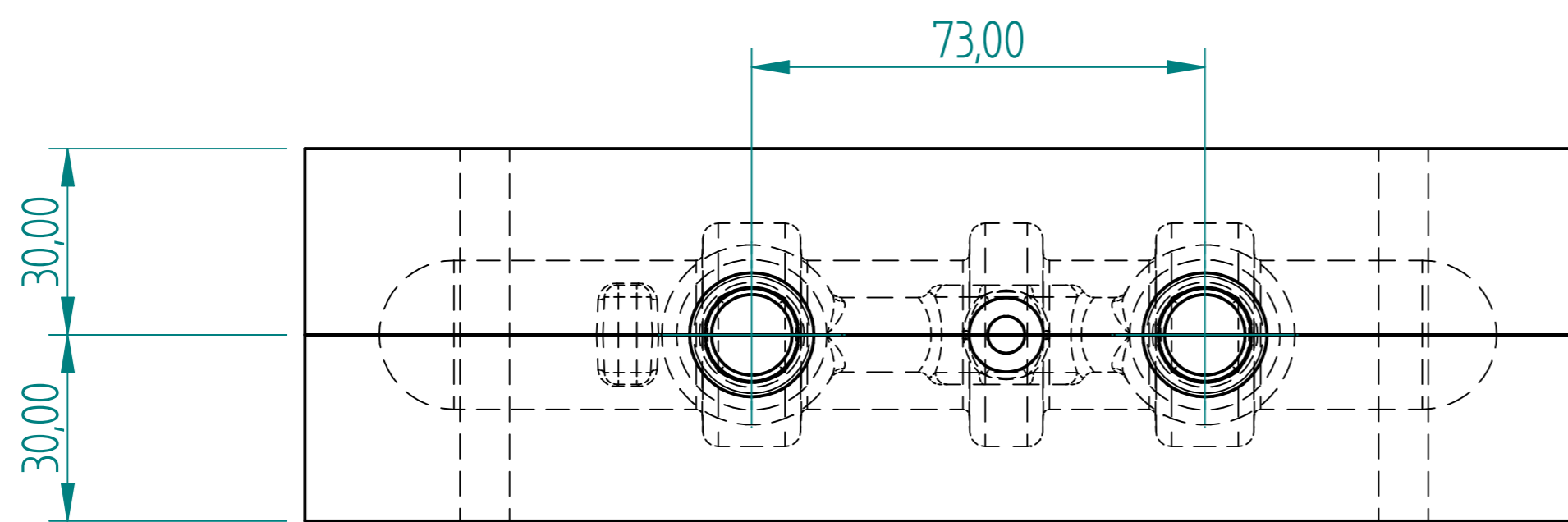
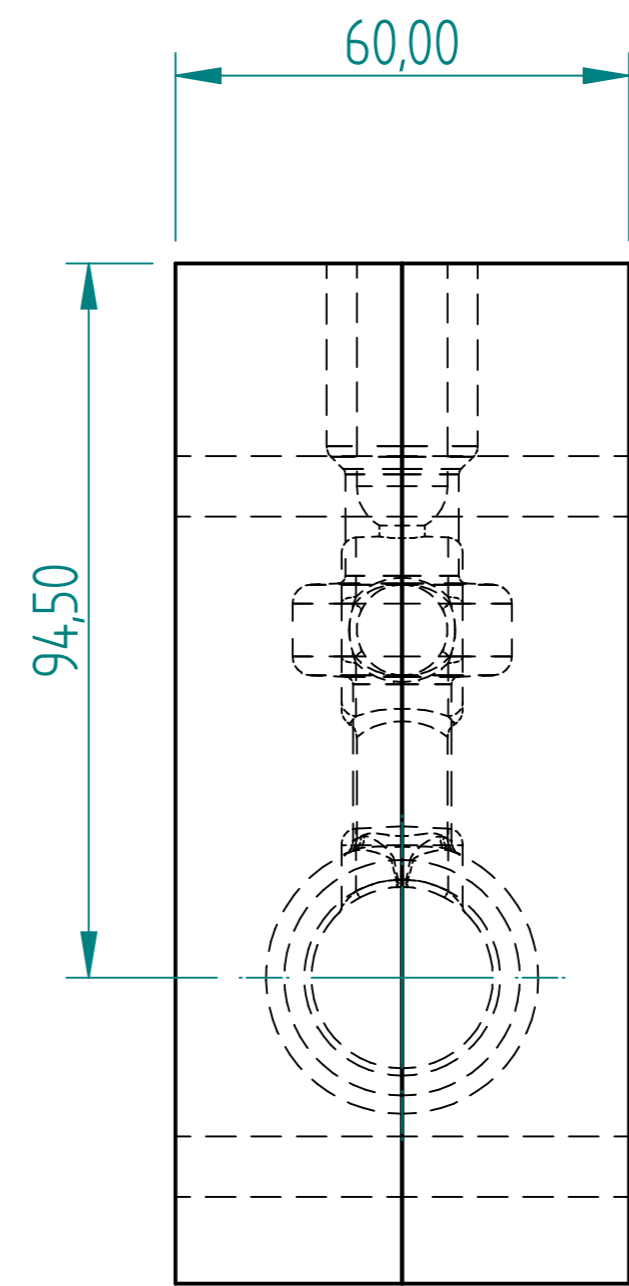
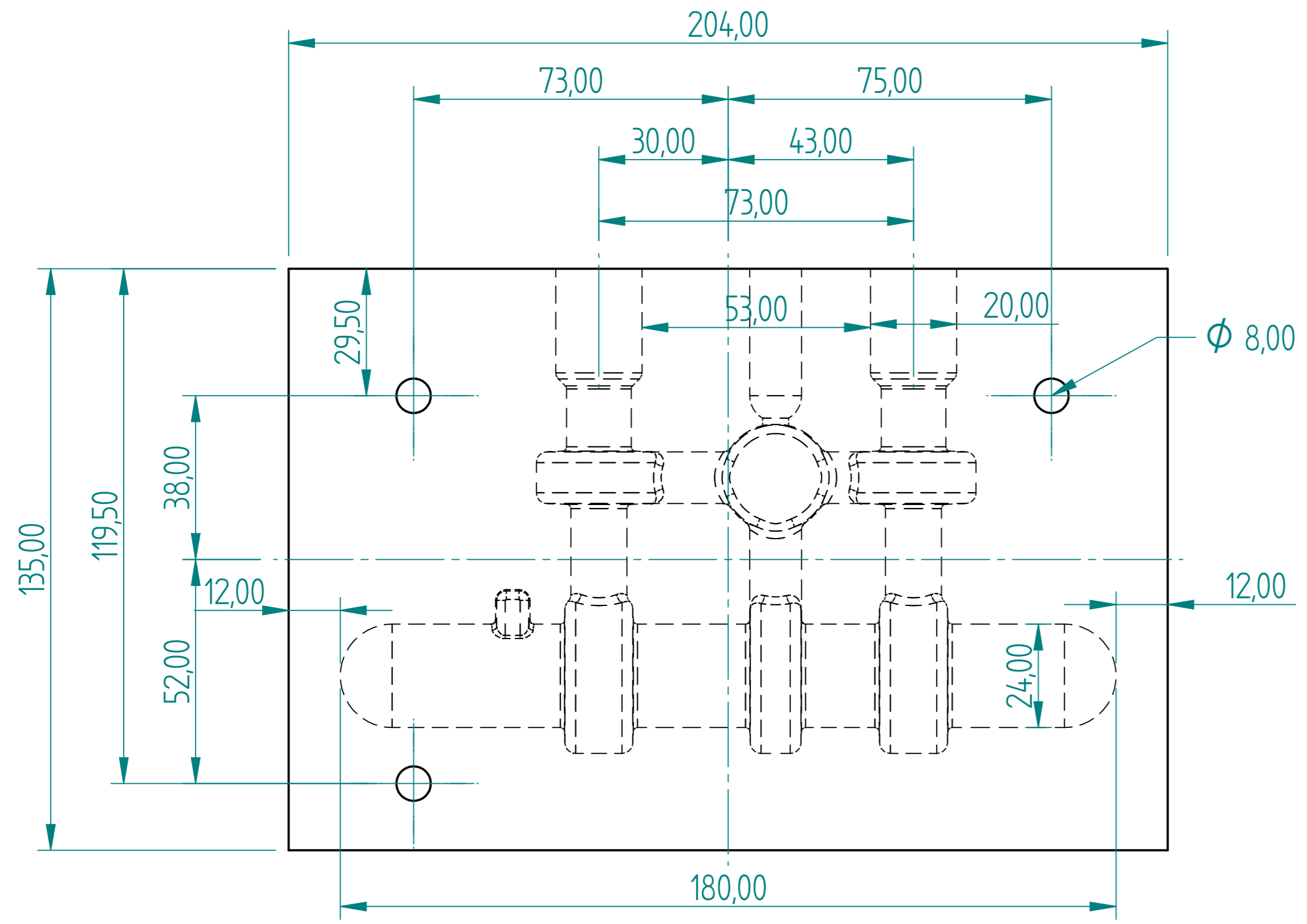


REVISION HISTORY			
REV	DESCRIPTION	DATE	APPROVED



DRAWN	NAME	DATE	<b>AGRIGEL</b>		
APPROVED	Dan	09/27/24			
MATERIAL					
TREATMENT					
UNLESS OTHERWISE SPECIFIED DIMENSIONS ARE IN MILLIMETERS			SIZE	DWG NO	REV
1 <sup>st</sup> ANGLE ANGLES $\pm 0,1^\circ$			A4		
2 PL $\pm 0,02$ 3 PL $\pm 0,005$			FILE NAME: Core Box.dft		
			SCALE:	WEIGHT:	SHEET 1 OF 1