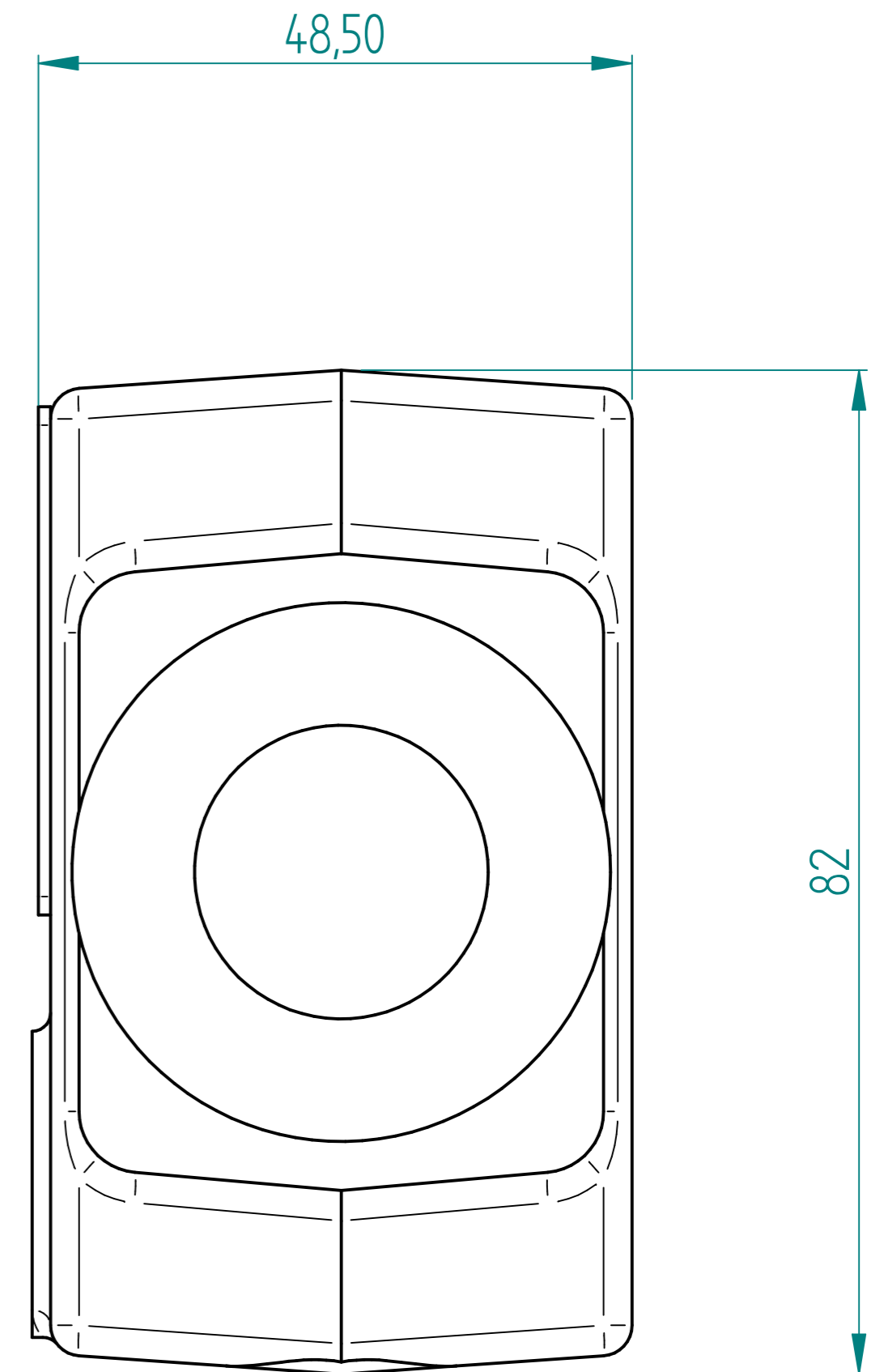
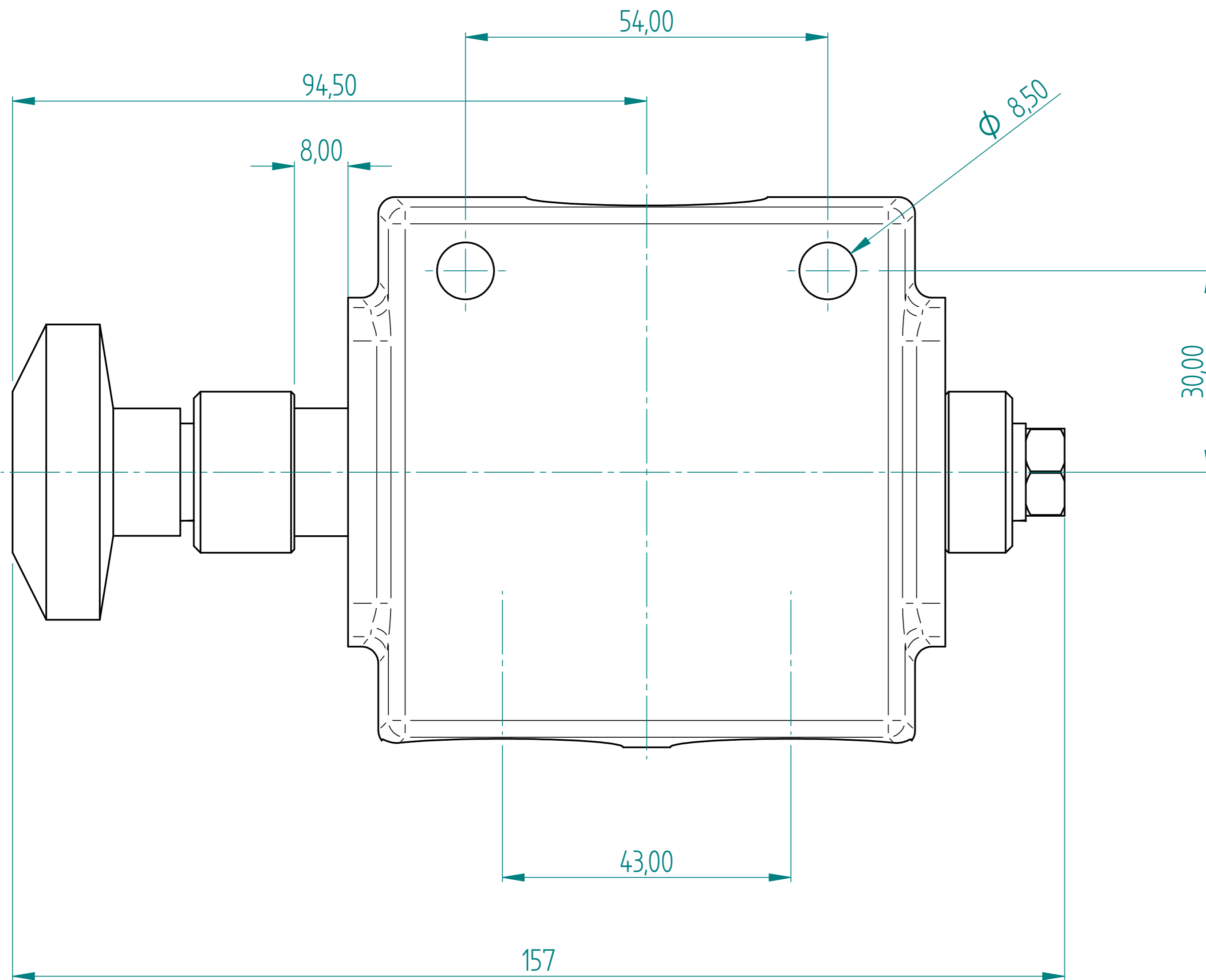


REVISION HISTORY			
REV	DESCRIPTION	DATE	APPROVED



DRAWN	NAME	DATE	<b>PREMAC</b>	
APPROVED	Dan	08/30/22		
MATERIAL				
TREATMENT				
UNLESS OTHERWISE SPECIFIED DIMENSIONS ARE IN MILLIMETERS			SIZE	DWG NO
1 <sup>st</sup> ANGLE			A4	SVH-10
2 PL ±0.02 3 PL ±0.005			FILE NAME: Selector Valve 2B.dft	REV
			SCALE:	WEIGHT:
			SHEET 2 OF 2	