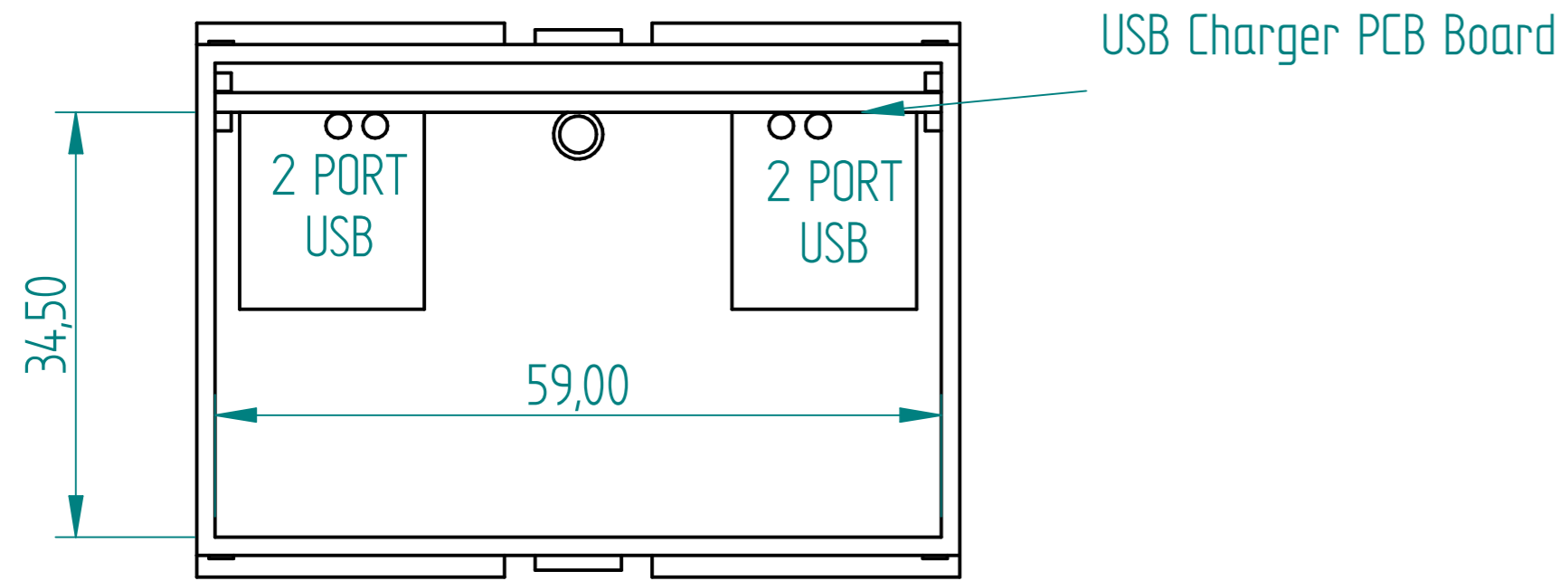
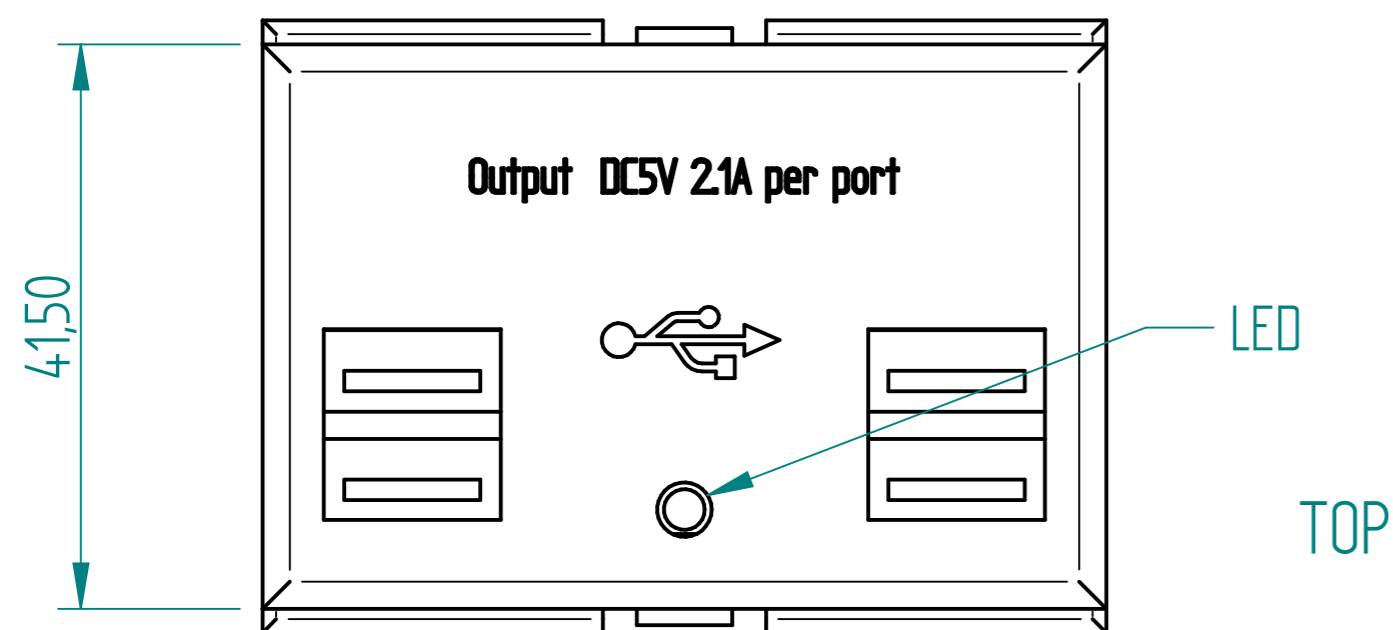
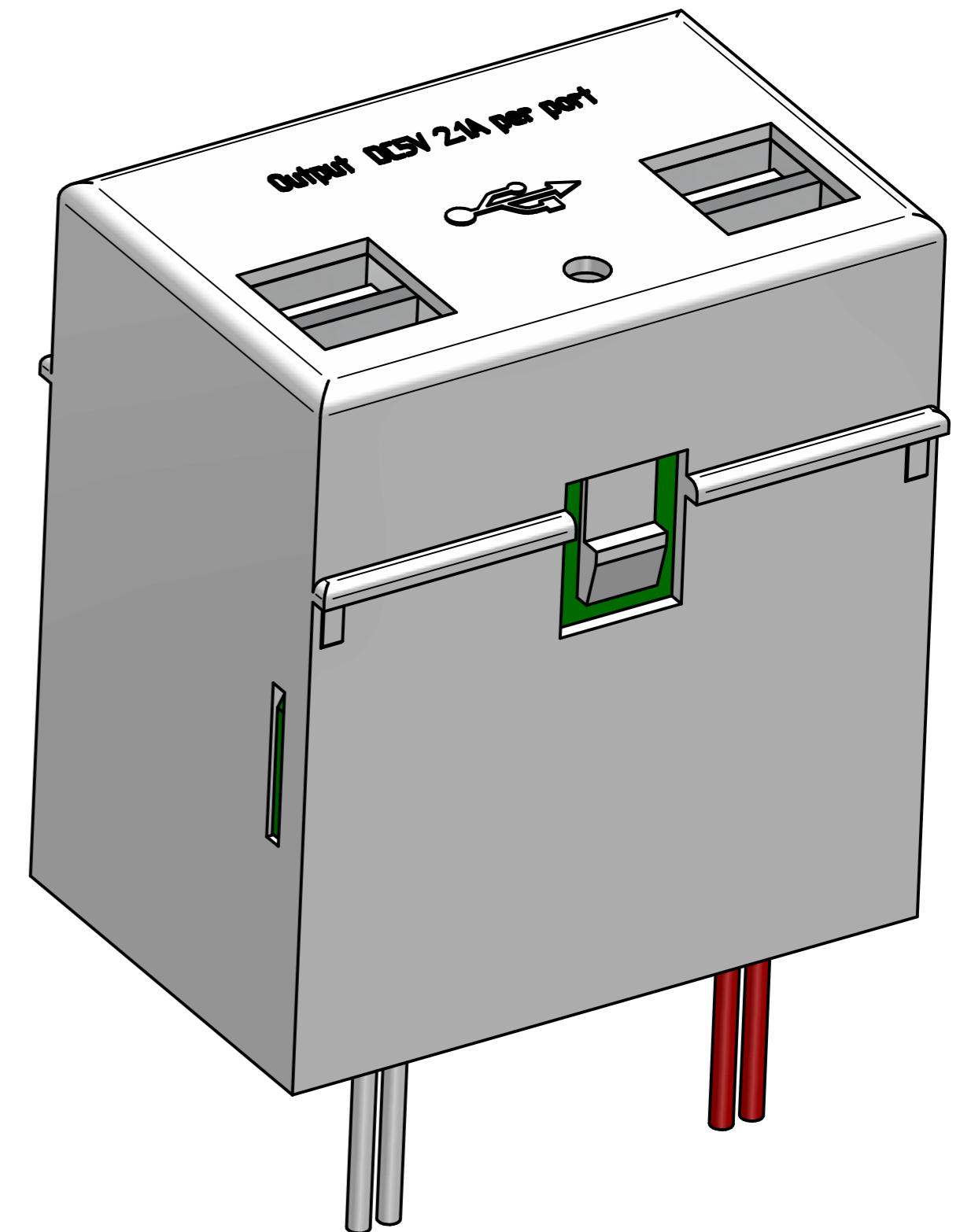
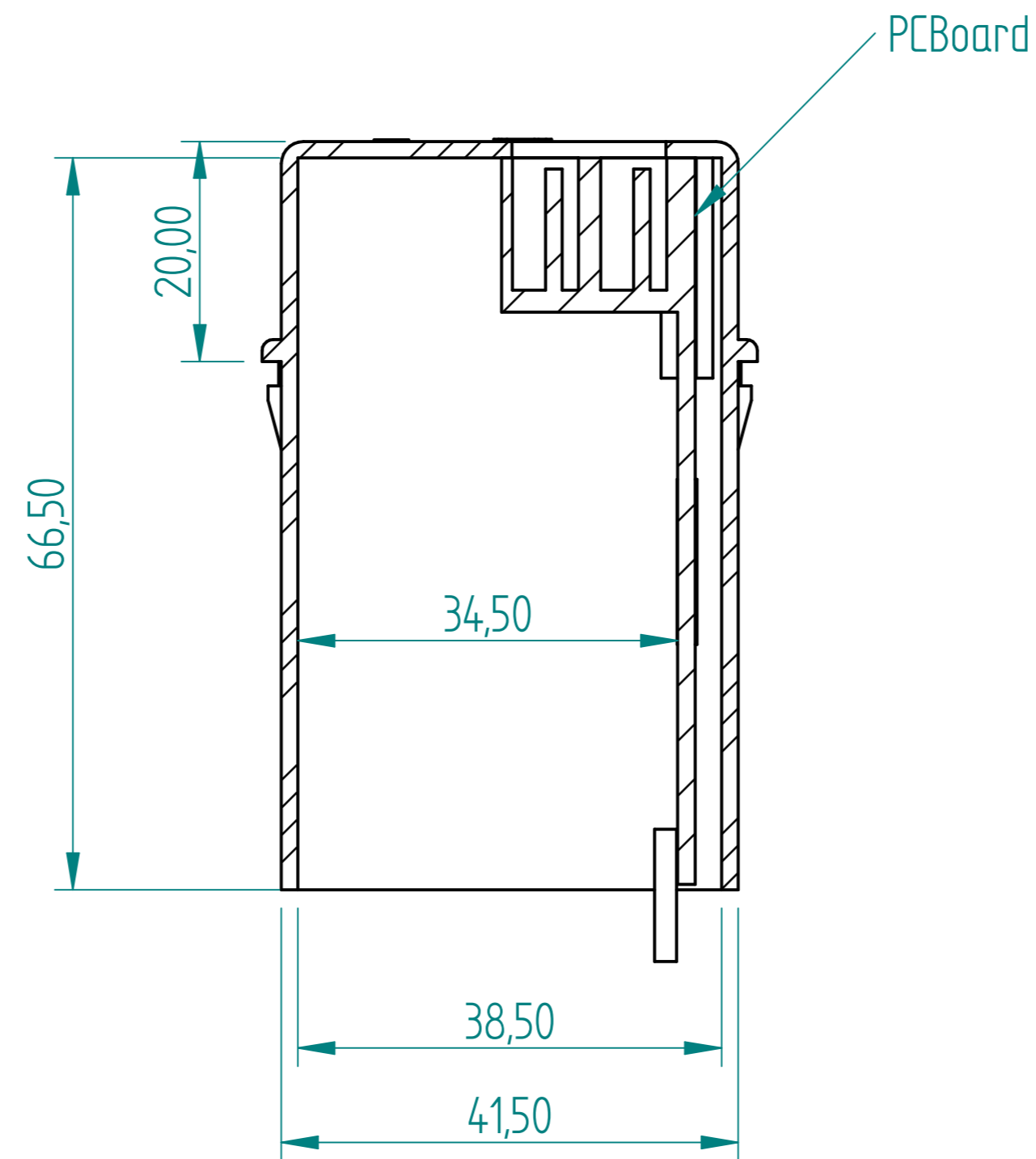
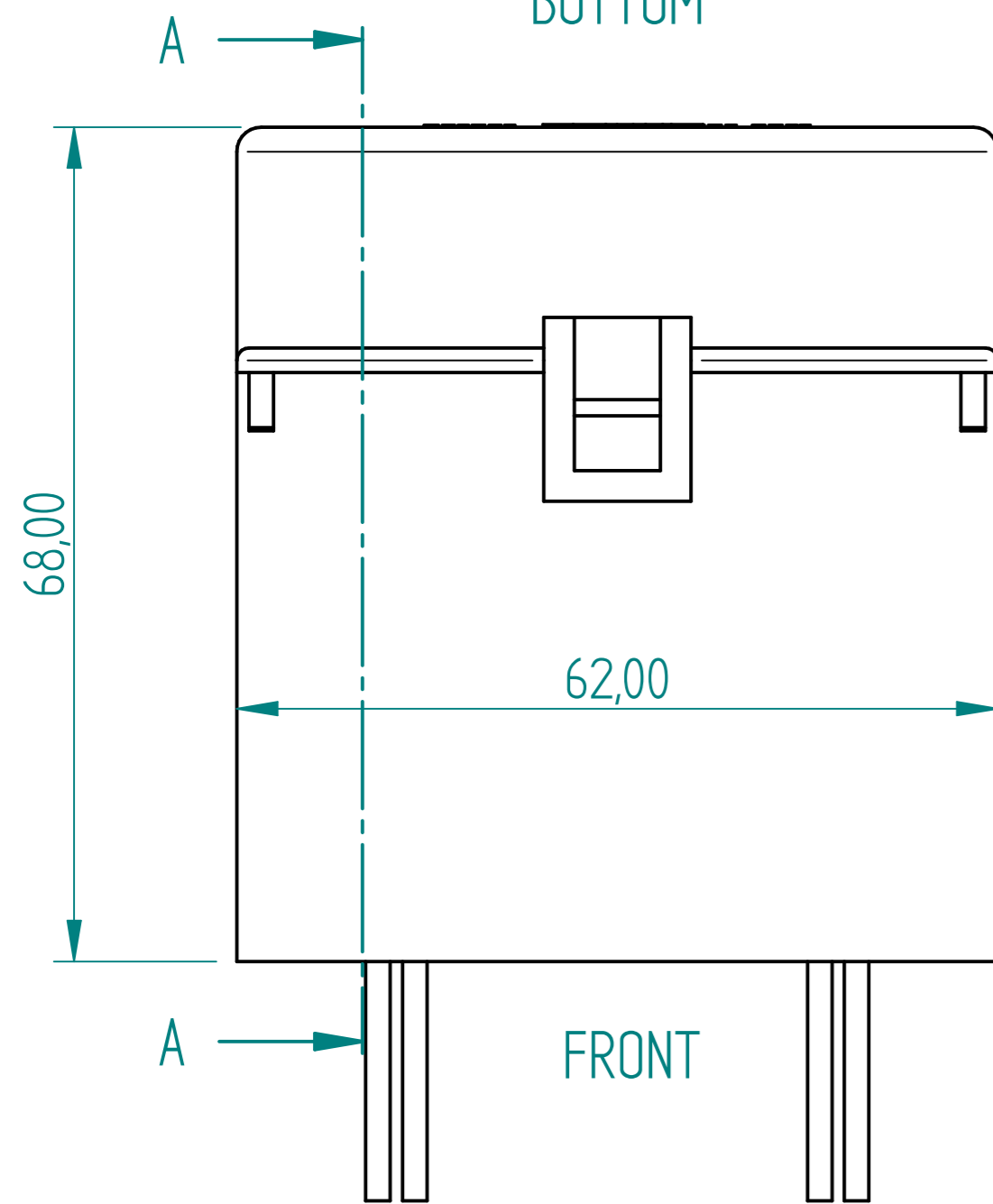


REVISION HISTORY			
REV	DESCRIPTION	DATE	APPROVED



BOTTOM

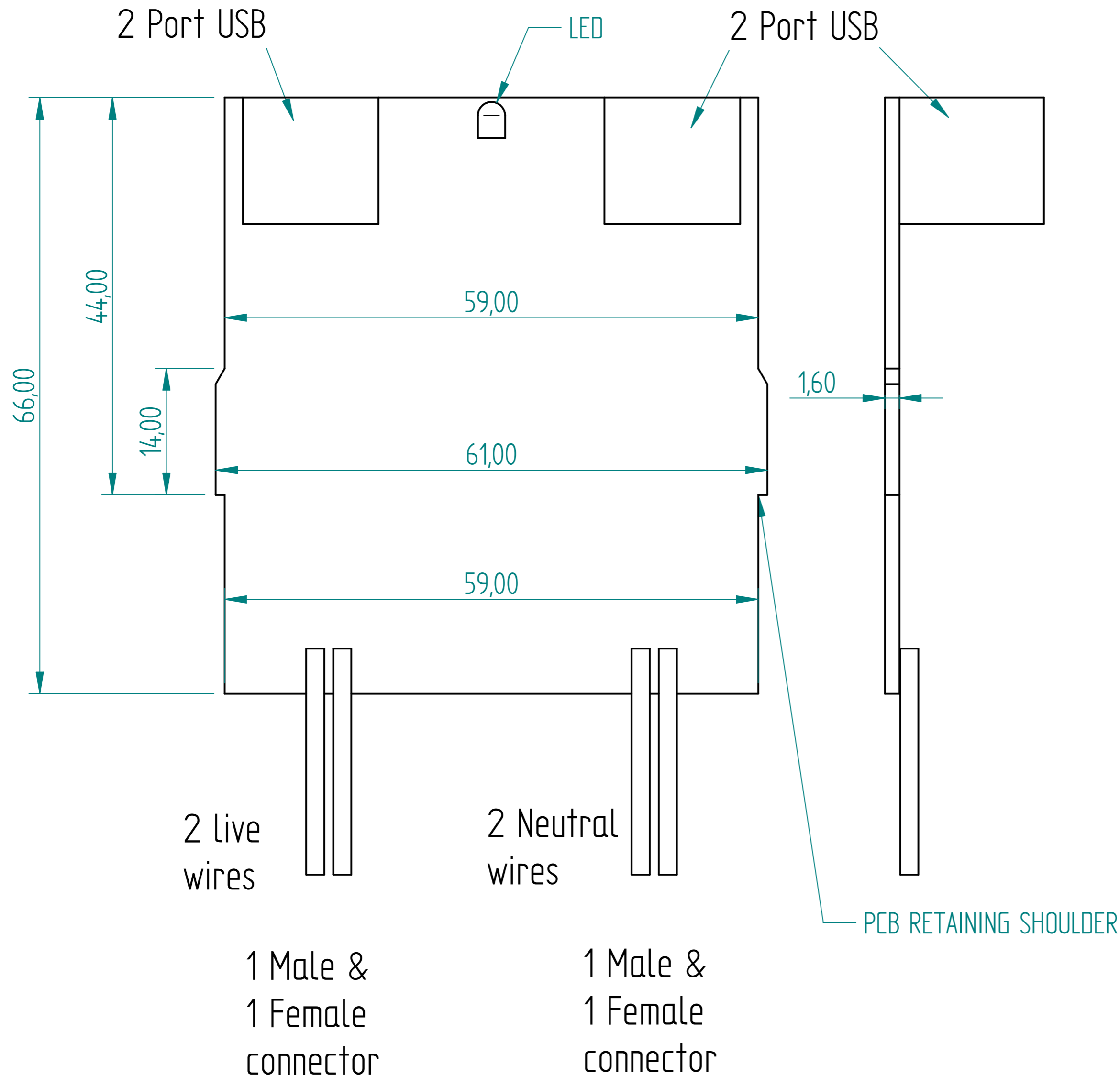


4 PORT SMART USB TABLET CHARGER

DRAWN	OG	DATE	03/25/17	AGRIGEL	
APPROVED					
MATERIAL				TITLE	
TREATMENT				USB Charger 4 Port	
UNLESS OTHERWISE SPECIFIED DIMENSIONS ARE IN MILLIMETERS				SIZE	DWG NO
1st ANGLE ANGLES ±0.1°				A4	
2 PL ±0.02 3 PL ±0.005				FILE NAME: USB Charger 4 Port.dft	REV
SCALE:		WEIGHT:		SHEET 1 OF 3	

REVISION HISTORY			
REV	DESCRIPTION	DATE	APPROVED

The position of the USB ports are to be determined by the PCB board layout and the dimensions then given back to correct the tooling for the cover.



Two Live wires and two Neutral wires are required to extend from the PCB for the supply voltage and for linking to the next charger. Each wire must be 0.5mm square Silicone wire having a length of 50mm.

The two live and the two neutral wires must each have an insulated crimped push-on connector lug terminal, crimped onto the wire end.

The live wires must have one male and one female push-on terminal lug.

The neutral wires must also have one male and one female push-on terminal lug.

The connectors must be 6.4mm.

RS no 488-1235 with RS no 488-1314

RS no 488-1279 with RS no 488-1320

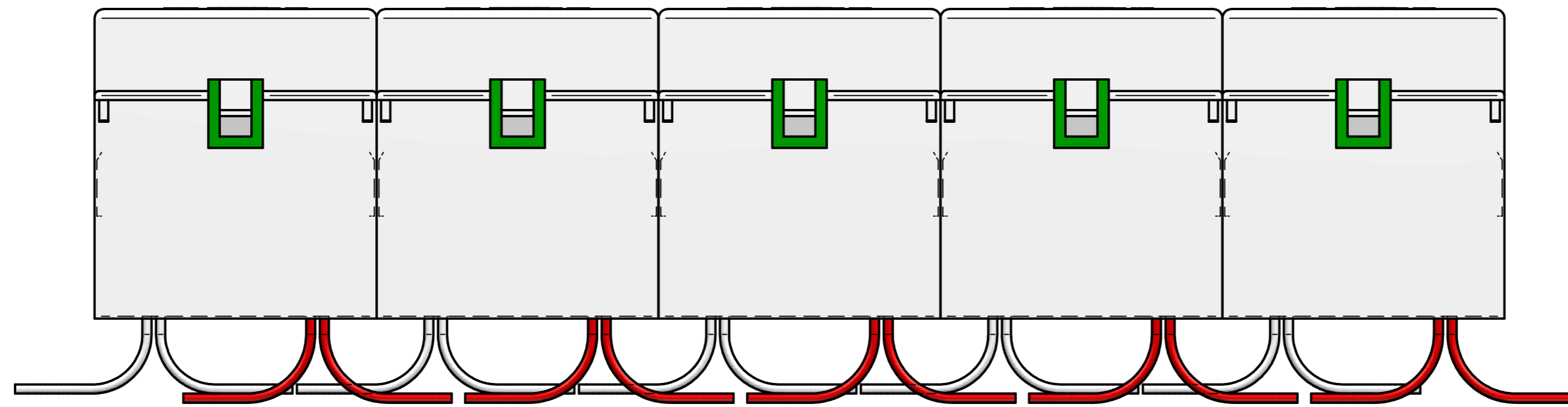
NOTE :

All designs must be approved by AGRIGEL.

4 PORT USB CHARGER PCB

	NAME	DATE	AGRIGEL	
DRAWN	DG	03/25/17		
APPROVED			TITLE	
MATERIAL			USB Charger 4 Port	
TREATMENT			SIZE	DWG NO
UNLESS OTHERWISE SPECIFIED DIMENSIONS ARE IN MILLIMETERS			A4	
1st ANGLE ANGLES ±0.1°			FILE NAME: USB Charger 4 Port.dft	REV
2 PL ±0.02 3 PL ±0.005			SCALE:	WEIGHT:
			SHEET 2 OF 3	

REVISION HISTORY			
REV	DESCRIPTION	DATE	APPROVED



	NAME	DATE	AGRIGEL		
DRAWN	DG	03/25/17			
APPROVED					
MATERIAL					
TREATMENT			TITLE USB Charger 4 Port		
UNLESS OTHERWISE SPECIFIED DIMENSIONS ARE IN MILLIMETERS			SIZE A4	DWG NO	REV
1 st ANGLE ANGLES ±0.1°			FILE NAME: USB Charger 4 Port.dft		
2 PL ±0.02 3 PL ±0.005			SCALE:	WEIGHT:	SHEET 3 OF 3