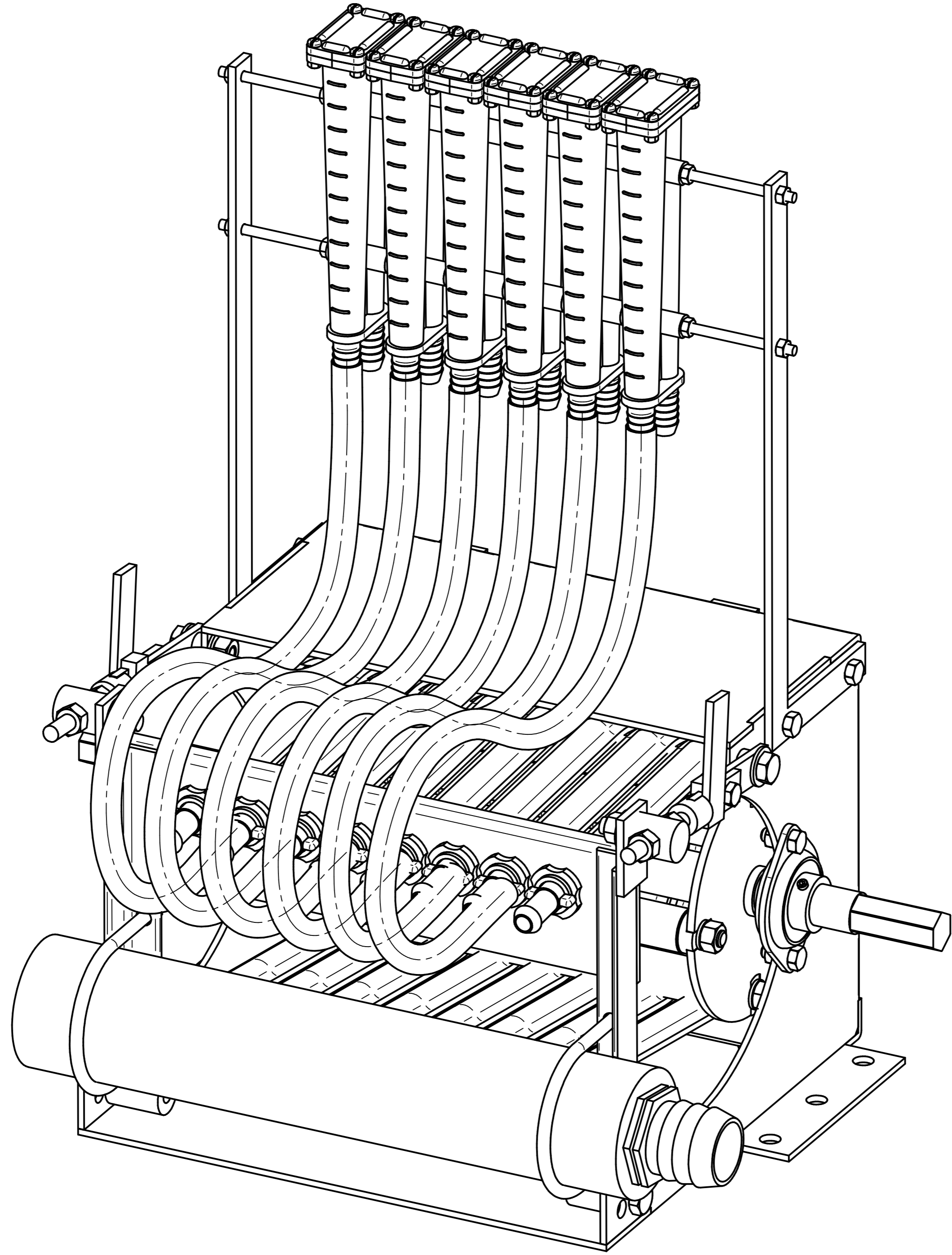
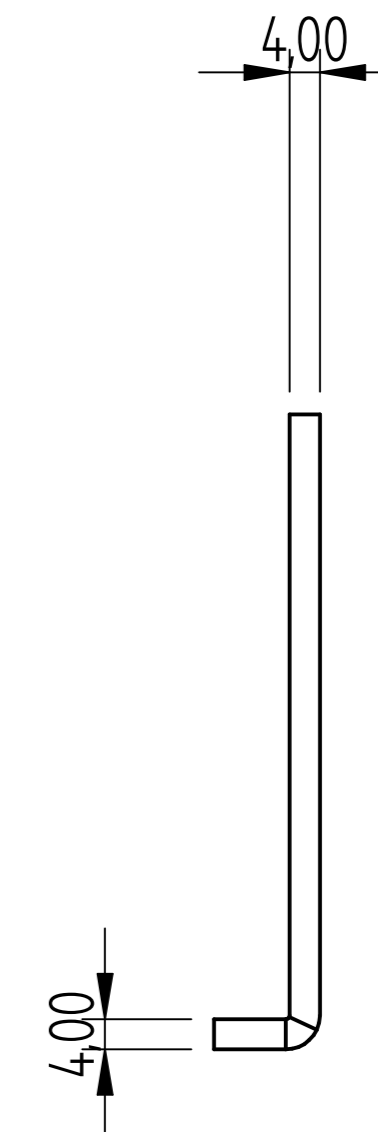
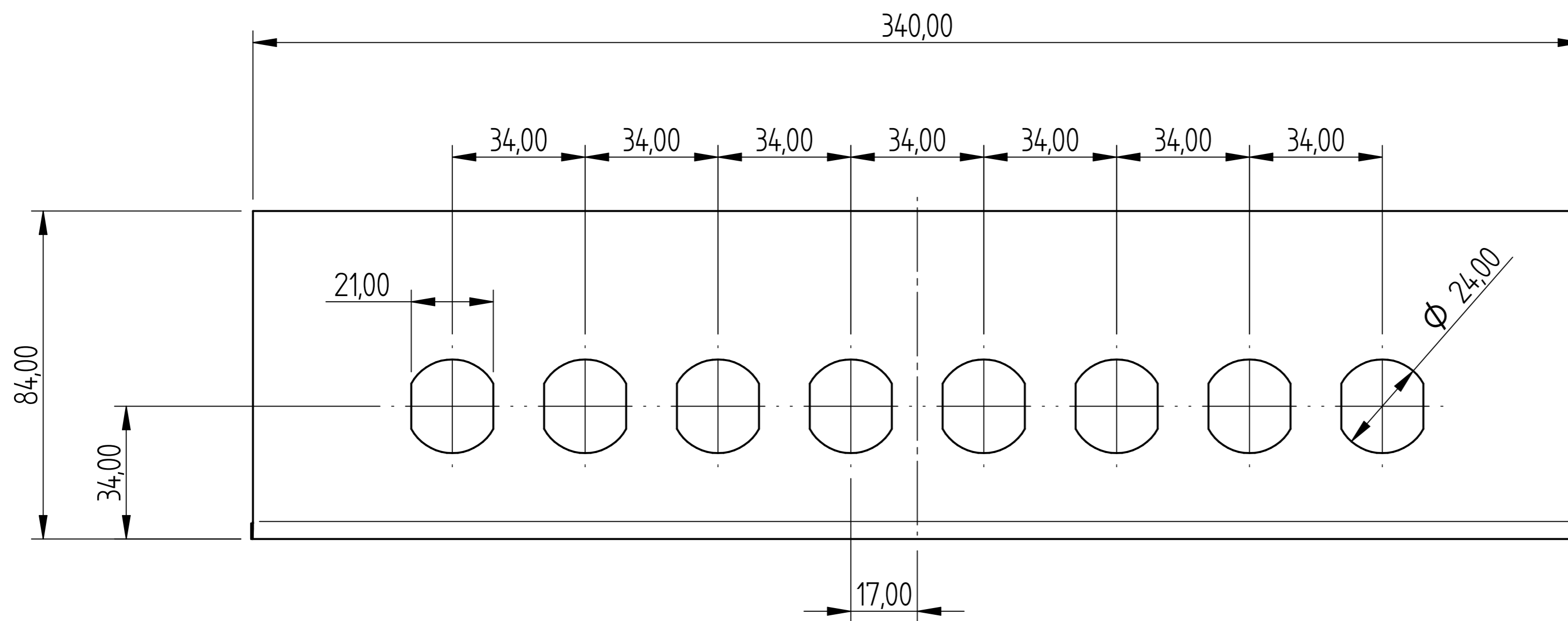


REVISION HISTORY			
REV	DESCRIPTION	DATE	APPROVED



DRAWN	NAME	DATE	<b>AGRIGEL</b>		
APPROVED	DG	08/11/14			
MATERIAL					
TREATMENT					
UNLESS OTHERWISE SPECIFIED DIMENSIONS ARE IN MILLIMETERS			SIZE	DWG NO	REV
1st ANGLE ANGLES ±0.1°			A4		
2 PL ±0.02 3 PL ±0.005			FILE NAME: 8 Row Squeeze Pump.dft		
SCALE:		WEIGHT:		SHEET 1 OF 4	

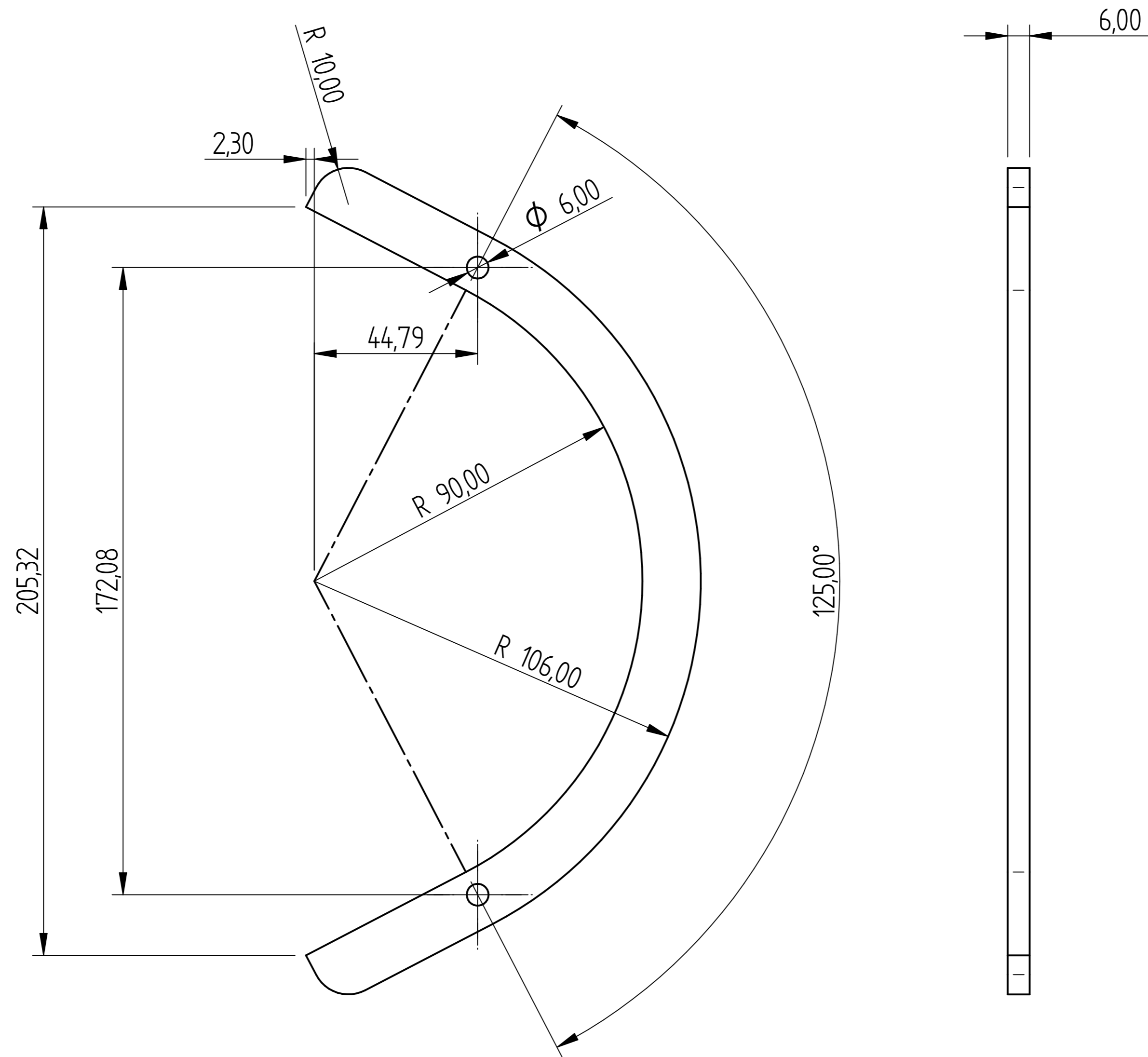
REVISION HISTORY			
REV	DESCRIPTION	DATE	APPROVED



Front Plate 8 Row

	NAME	DATE	<b>AGRIGEL</b>	
DRAWN	DG	08/11/14		
APPROVED			TITLE	
MATERIAL				
TREATMENT			SIZE A4 DWG NO FILE NAME: 8 Row Squeeze Pump.dft SCALE: WEIGHT: SHEET 2 OF 4	
UNLESS OTHERWISE SPECIFIED DIMENSIONS ARE IN MILLIMETERS ANGLES ±0.1° 1st ANGLE 2 PL ±0.02 3 PL ±0.005				

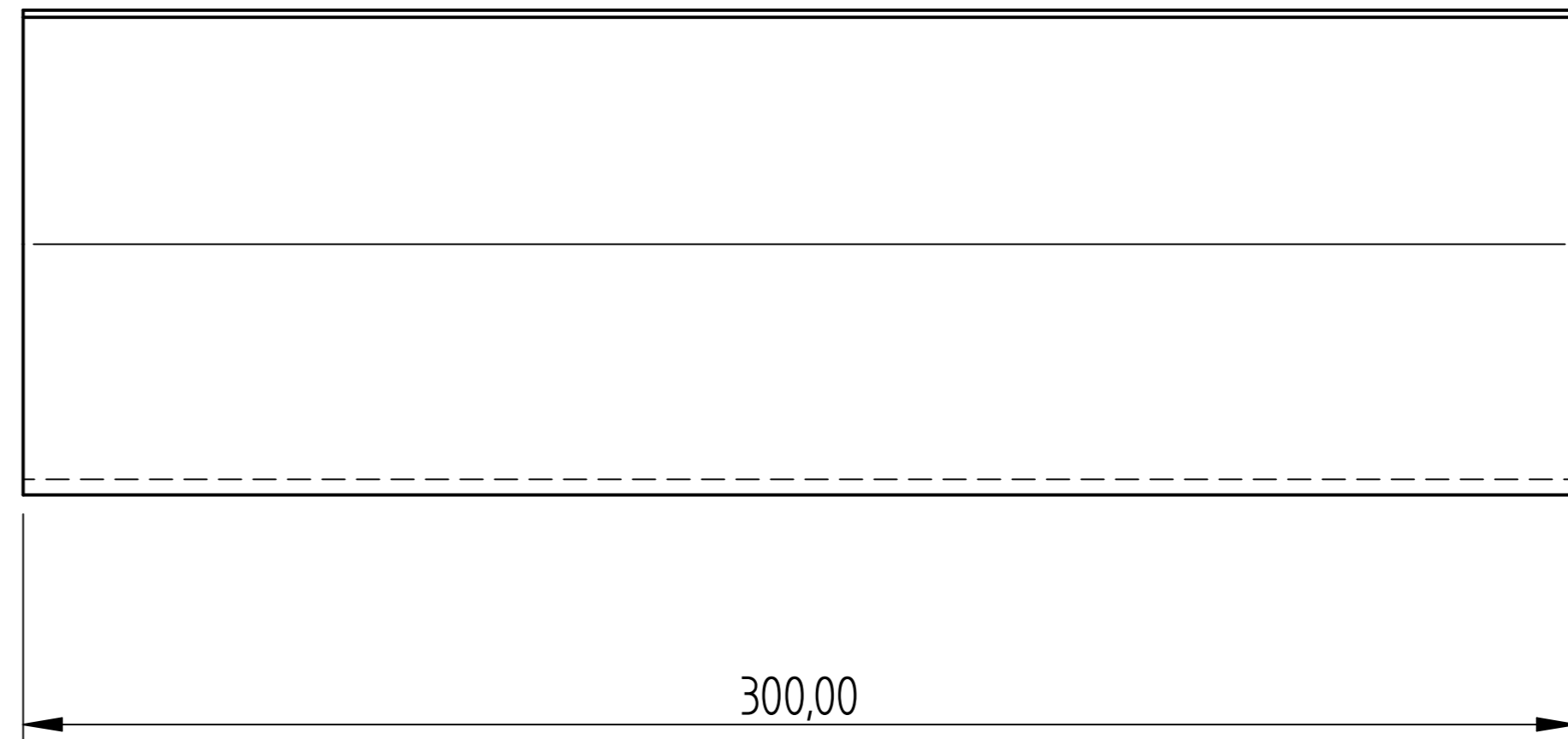
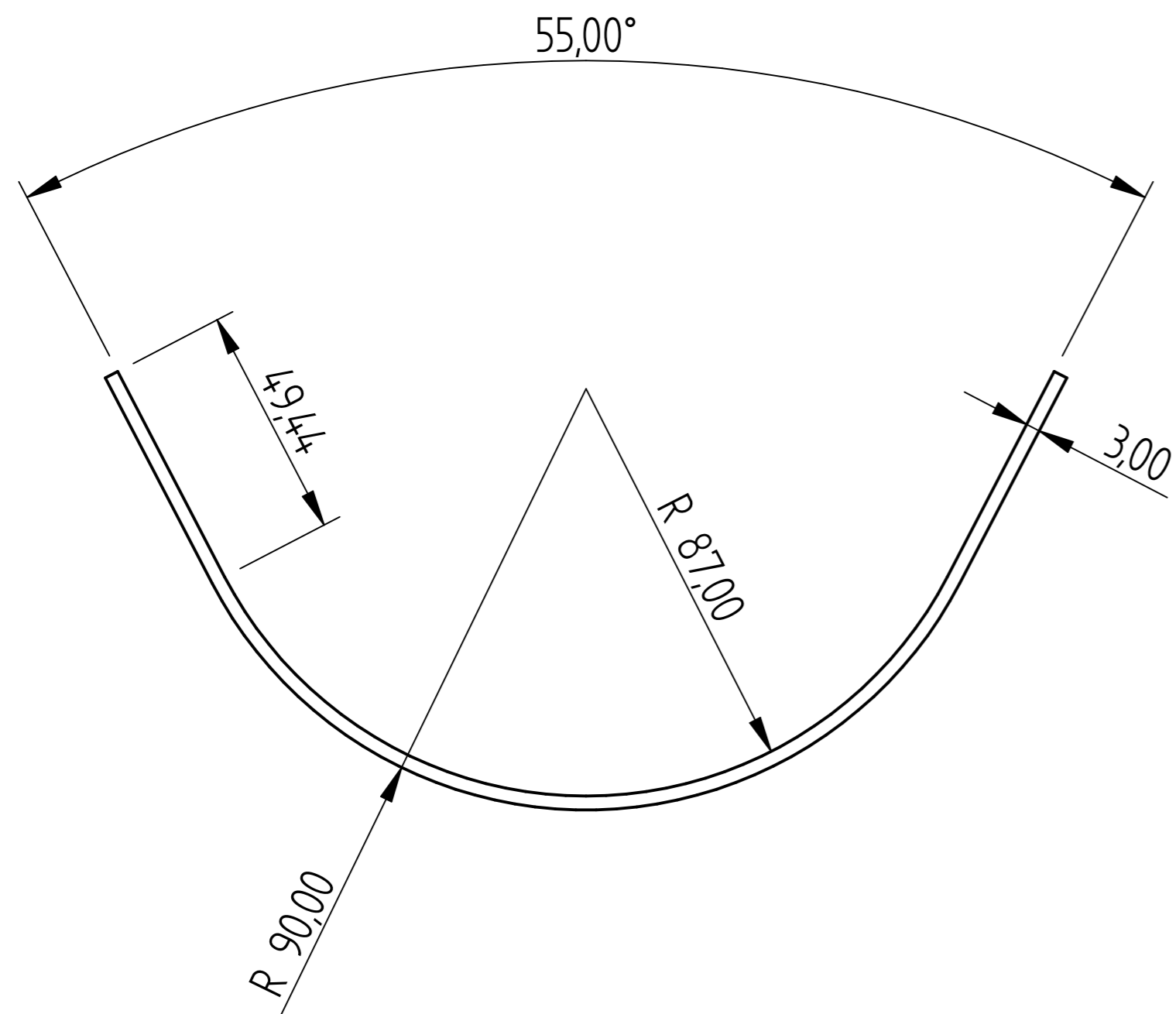
REVISION HISTORY			
REV	DESCRIPTION	DATE	APPROVED



Back Plate Rib 8 Row  
3 off

	NAME	DATE	<b>AGRIGEL</b>	
DRAWN	DG	08/11/14		
APPROVED				
MATERIAL				
TREATMENT			TITLE	
UNLESS OTHERWISE SPECIFIED DIMENSIONS ARE IN MILLIMETERS			SIZE A4	DWG NO
1 <sup>st</sup> ANGLE 2 PL ±0.02 3 PL ±0.005			FILE NAME: 8 Row Squeeze Pump.dft	REV
SCALE:			WEIGHT:	SHEET 3 OF 4

REVISION HISTORY			
REV	DESCRIPTION	DATE	APPROVED



Back Plate  
 STAINLESS STEEL PLATE  
 304 or 316 3 mm Plate

	NAME	DATE	<b>AGRIGEL</b>	
DRAWN	DG	08/11/14		
APPROVED			TITLE	
MATERIAL				
TREATMENT			UNLESS OTHERWISE SPECIFIED DIMENSIONS ARE IN MILLIMETERS	
1 <sup>st</sup> ANGLE				
2 PL ±0.02 3 PL ±0.005			A4	
			FILE NAME: 8 Row Squeeze Pump.dft	
			SCALE:	WEIGHT:
			SHEET 4 OF 4	