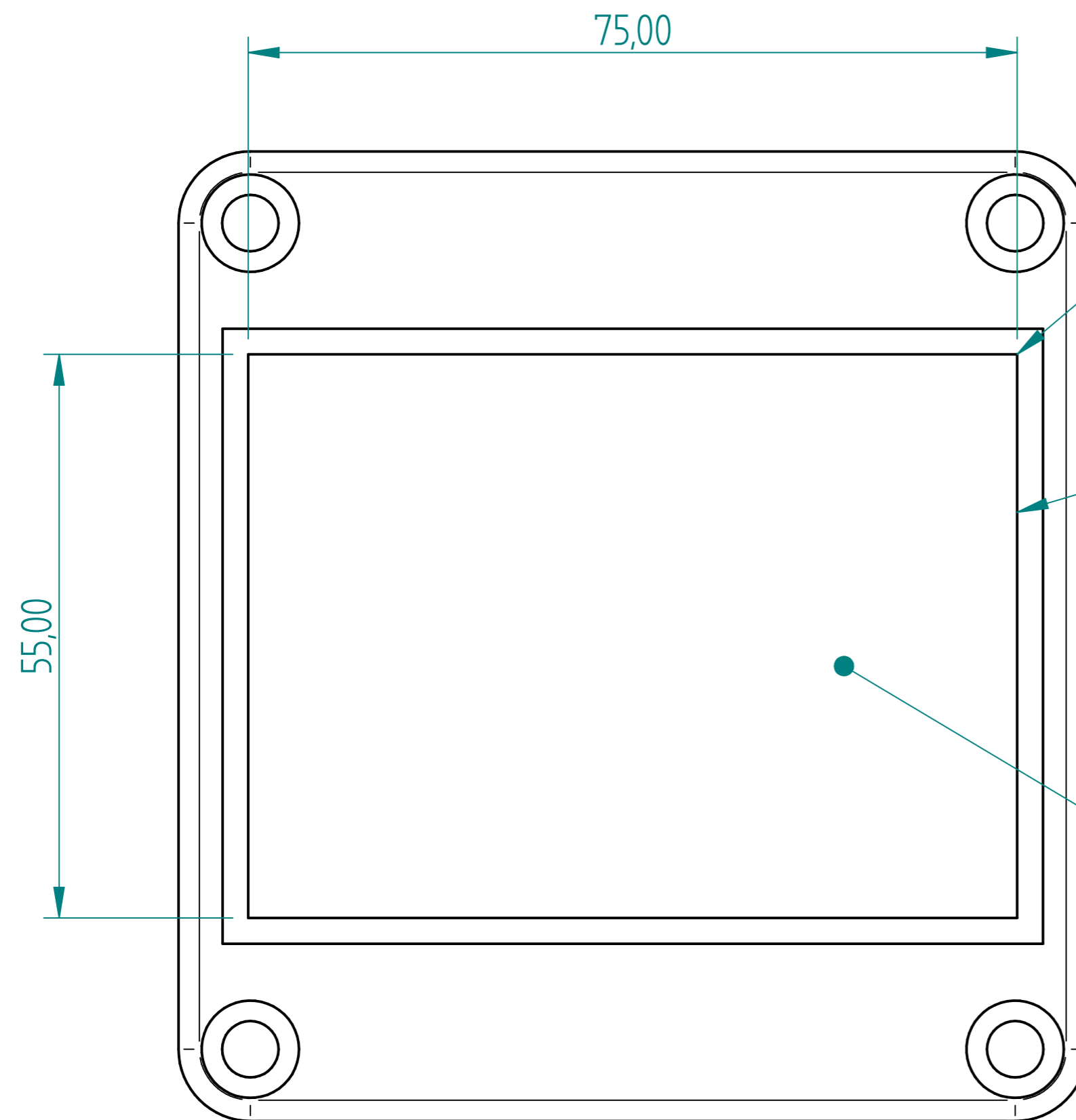


REVISION HISTORY			
REV	DESCRIPTION	DATE	APPROVED



CORNERS COULD BE ROUND

THIS IS MORE OR LESS THE SPACE THAT WE HAVE ON THE STEPPER BOARD BOX LID FOR A TOUCH MEMBRANE. TO BE ABLE TO SET AND CONTROL THE TWO STEPPER MOTORS. CAN THE MEMBRANE HAVE SMALL LED'S ? TO INDICATE STATUS AND FUNCTION FOR SETTING PURPOSES.

THE PIG TAIL COULD BE ANYWHERE.

STEPPER BOARD BOX LID

	NAME	DATE	AGRIGEL	
DRAWN	Dan	01/11/13		
APPROVED				
MATERIAL				
TREATMENT			TITLE	
UNLESS OTHERWISE SPECIFIED DIMENSIONS ARE IN MILLIMETERS			SIZE A4	DWG NO
1st ANGLE ANGLES ±0.1°			FILE NAME: Stepper Board Box Lid.dft	
2 PL ±0.02 3 PL ±0.005			SCALE:	WEIGHT:
			SHEET 1 OF 1	