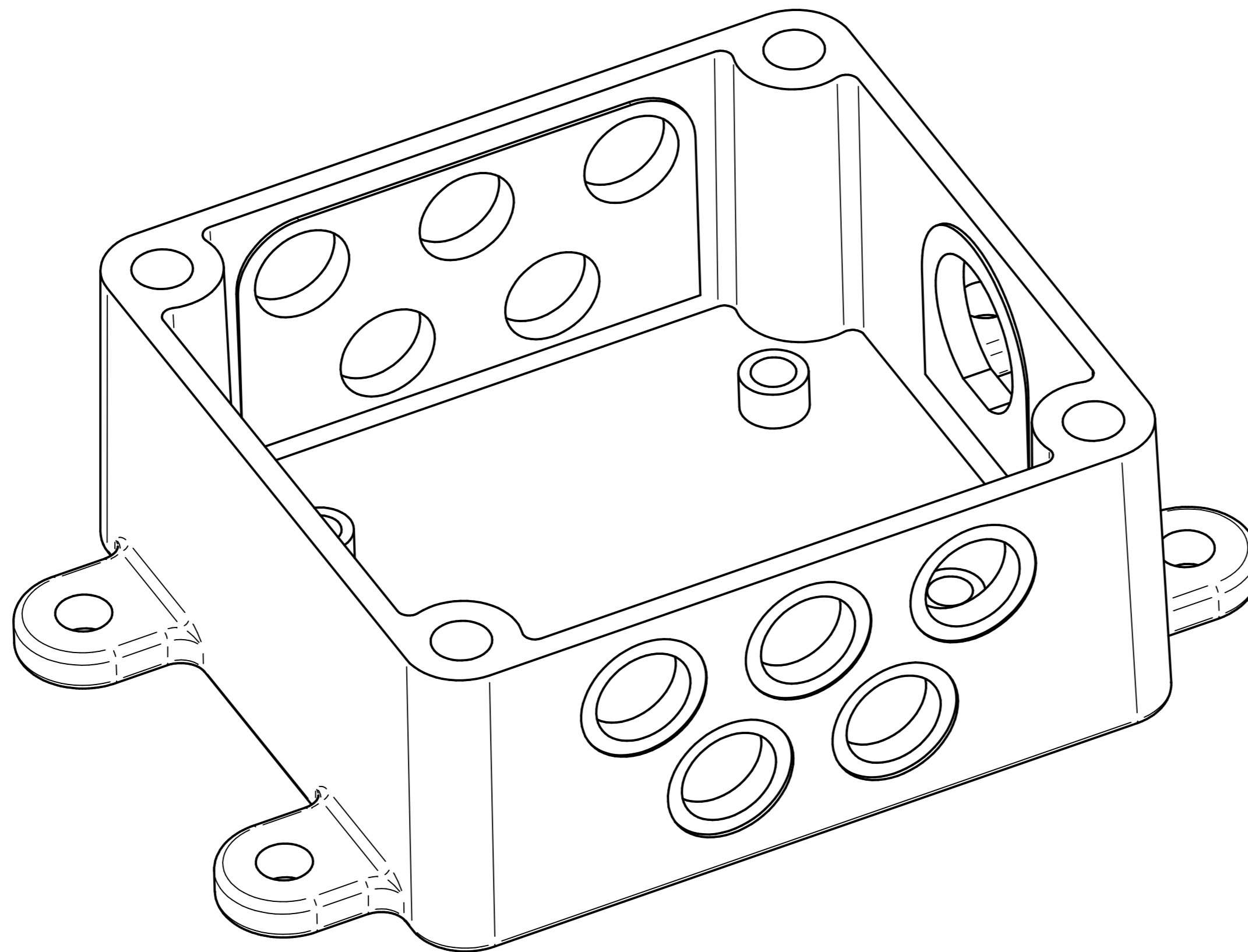


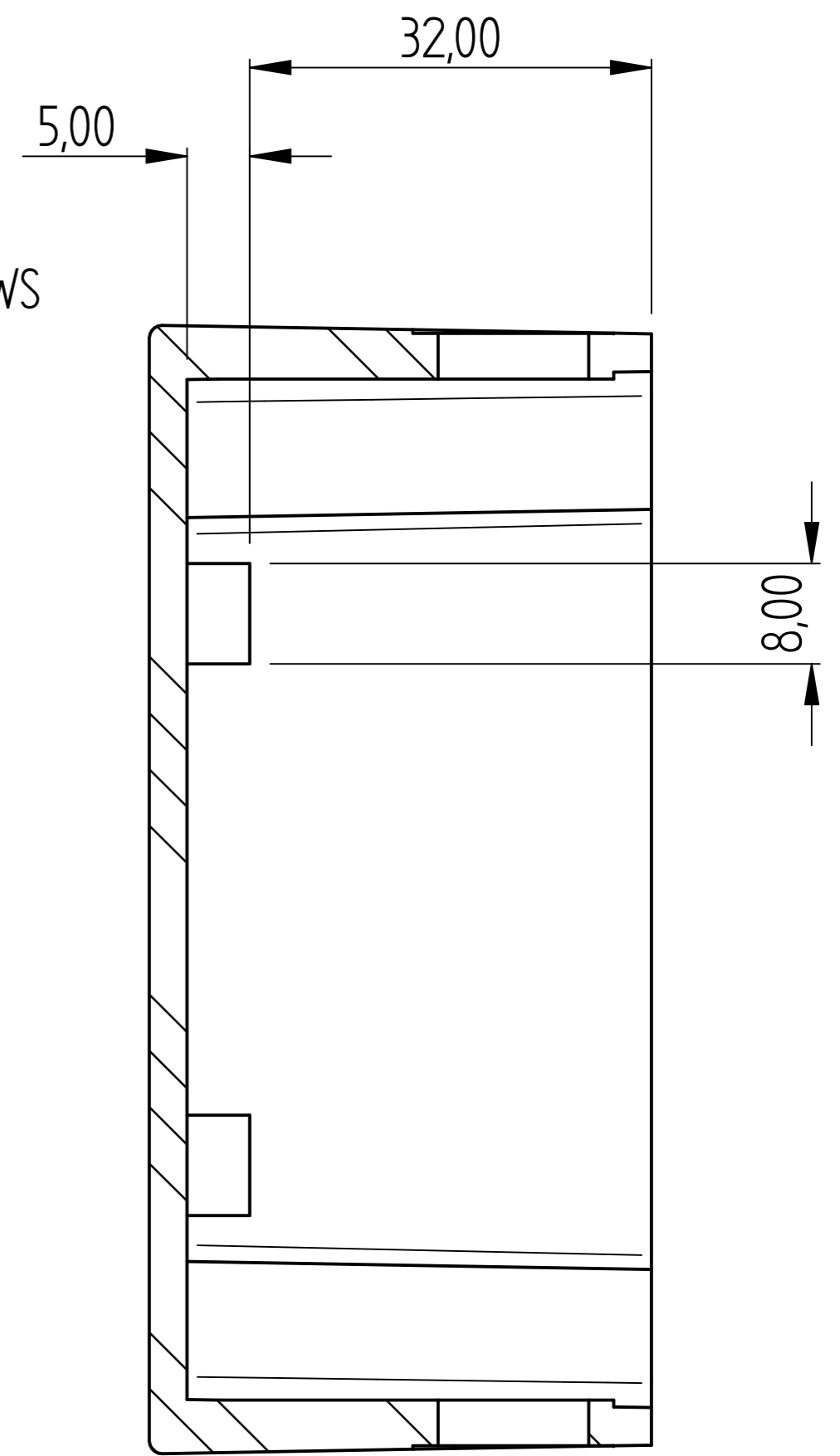
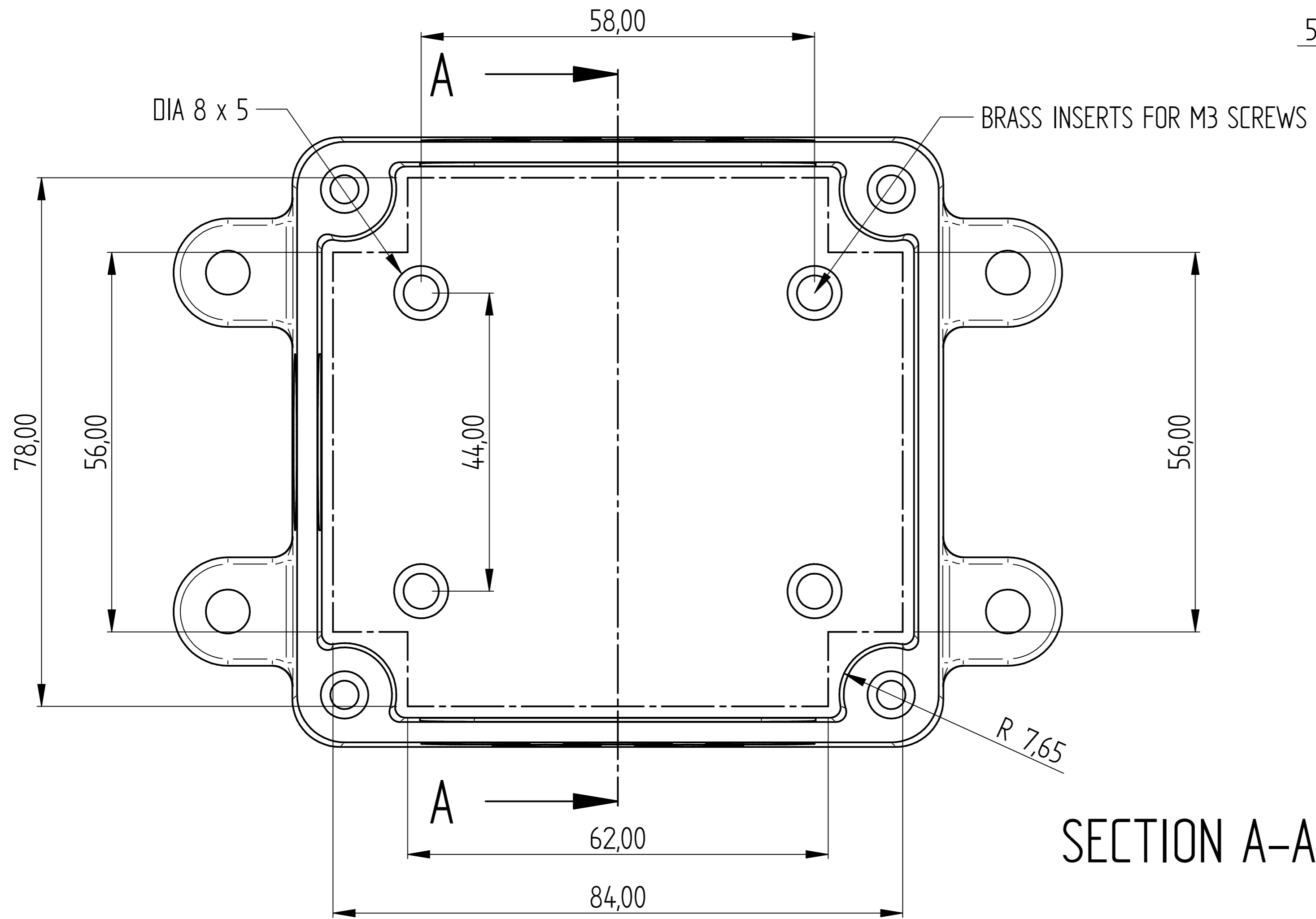
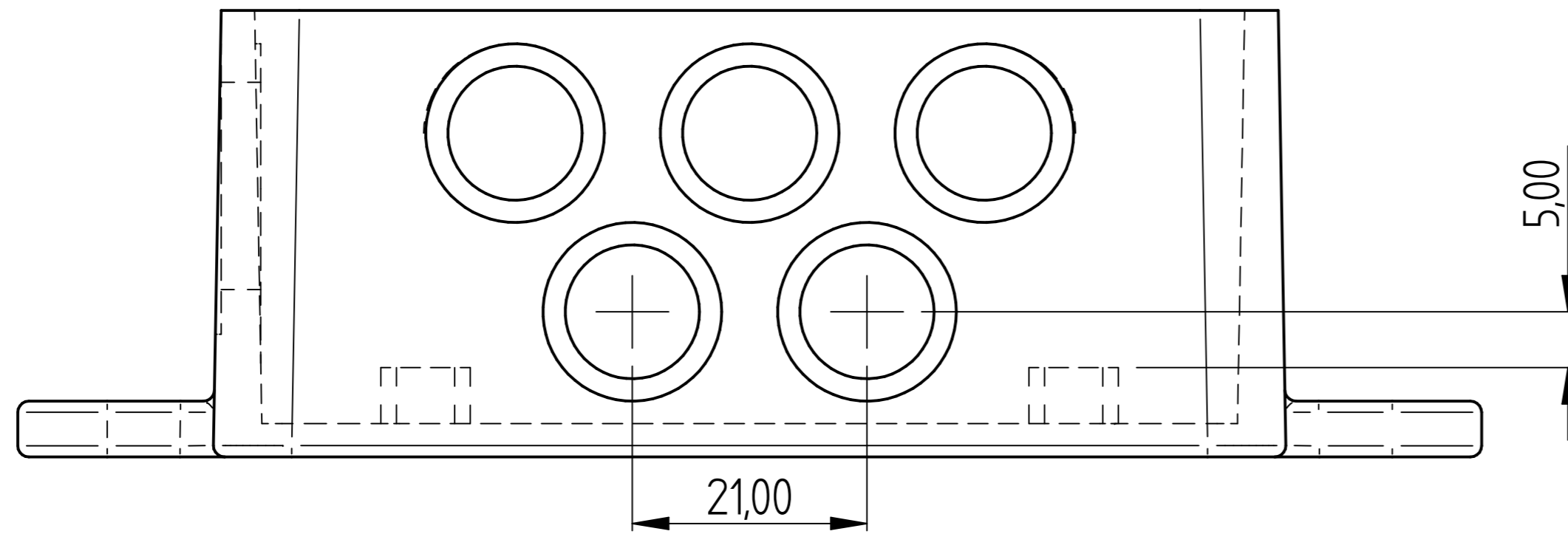
| REVISION HISTORY |             |      |          |
|------------------|-------------|------|----------|
| REV              | DESCRIPTION | DATE | APPROVED |
|                  |             |      |          |



# AGRIGEL STEPPER MOTOR PCB ENCLOSURE

|   |      |          |                                     |              |
|---|------|----------|-------------------------------------|--------------|
|   | NAME | DATE     | <b>AGRIGEL</b>                      |              |
| DRAWN   | Dan  | 03/24/11 | TITLE                               |              |
| APPROVED  |      |          | AGRIGEL STEPPER MOTOR PCB ENCLOSURE |              |
| MATERIAL  |      |          | SIZE                                | DWG NO       |
| TREATMENT   |      |          | A4                                  |              |
| UNLESS OTHERWISE SPECIFIED<br>DIMENSIONS ARE IN MILLIMETERS |      |          | FILE NAME:                          | REV          |
| ANGLES ±0.1°  |      |          | Distribution Box 1.dft              |              |
| 1st ANGLE<br>2 PL ±0.02 3 PL ±0.005                         |      |          | SCALE:                              | WEIGHT:      |
|   |      |          |                                     | SHEET 1 OF 2 |

| REVISION HISTORY |             |      |          |
|------------------|-------------|------|----------|
| REV              | DESCRIPTION | DATE | APPROVED |
|                  |             |      |          |



SECTION A-A

|   |      |          |                                     |         |              |
|---|------|----------|-------------------------------------|---------|--------------|
| DRAWN   | NAME | DATE     | <b>AGRIGEL</b>                      |         |              |
| APPROVED  | Dan  | 03/24/11 |                                     |         |              |
| MATERIAL  |      |          | TITLE                               |         |              |
| TREATMENT   |      |          | AGRIGEL STEPPER MOTOR PCB ENCLOSURE |         |              |
| UNLESS OTHERWISE SPECIFIED<br>DIMENSIONS ARE IN MILLIMETERS<br>ANGLES ±0.1° |      |          | SIZE                                | DWG NO  | REV          |
|   |      |          | A4                                  |         |              |
| 1st ANGLE   |      |          | FILE NAME: Distribution Box 1.dft   |         |              |
| 2 PL ±0.02 3 PL ±0.005  |      |          | SCALE:                              | WEIGHT: | SHEET 2 OF 2 |