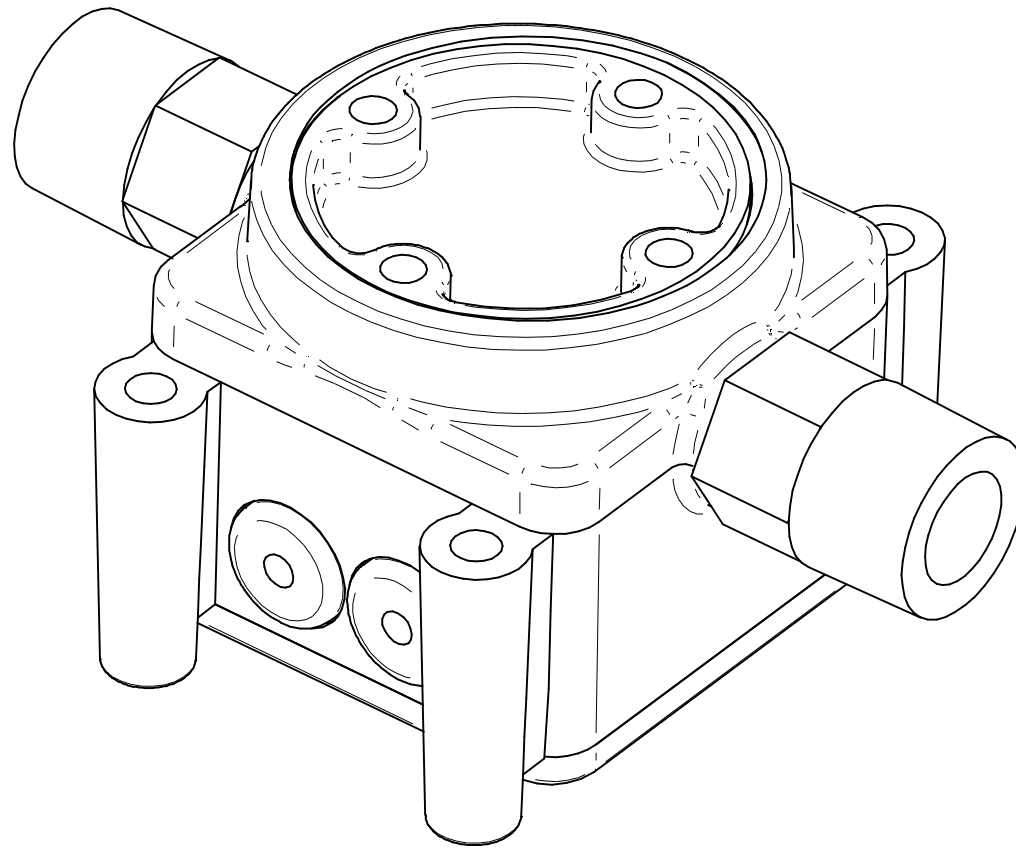
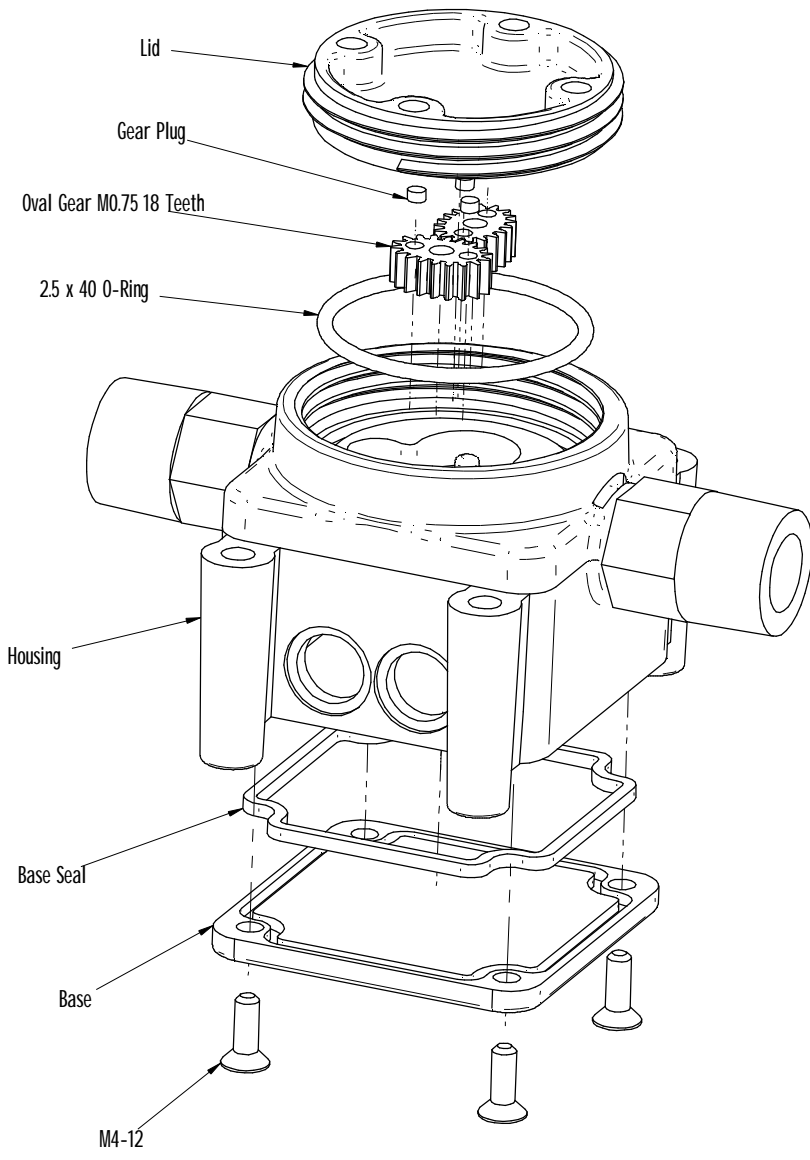


REVISION HISTORY			
REV	DESCRIPTION	DATE	APPROVED



OVAL GEAR FLOW METER

	NAME	DATE	AGRIGEL	
DRAWN	Dan	06/14/11	TITLE	
APPROVED				
MATERIAL				
TREATMENT				
UNLESS OTHERWISE SPECIFIED DIMENSIONS ARE IN MILLIMETERS ANGLES $\pm 0.1^\circ$			SIZE A4	DWG NO
2 PL ± 0.02 3 PL ± 0.005			FILE NAME: Oval Gear Flow Meter.dft	REV
SCALE:			WEIGHT:	SHEET 1 OF 2



OVAL GEAR FLOW METER