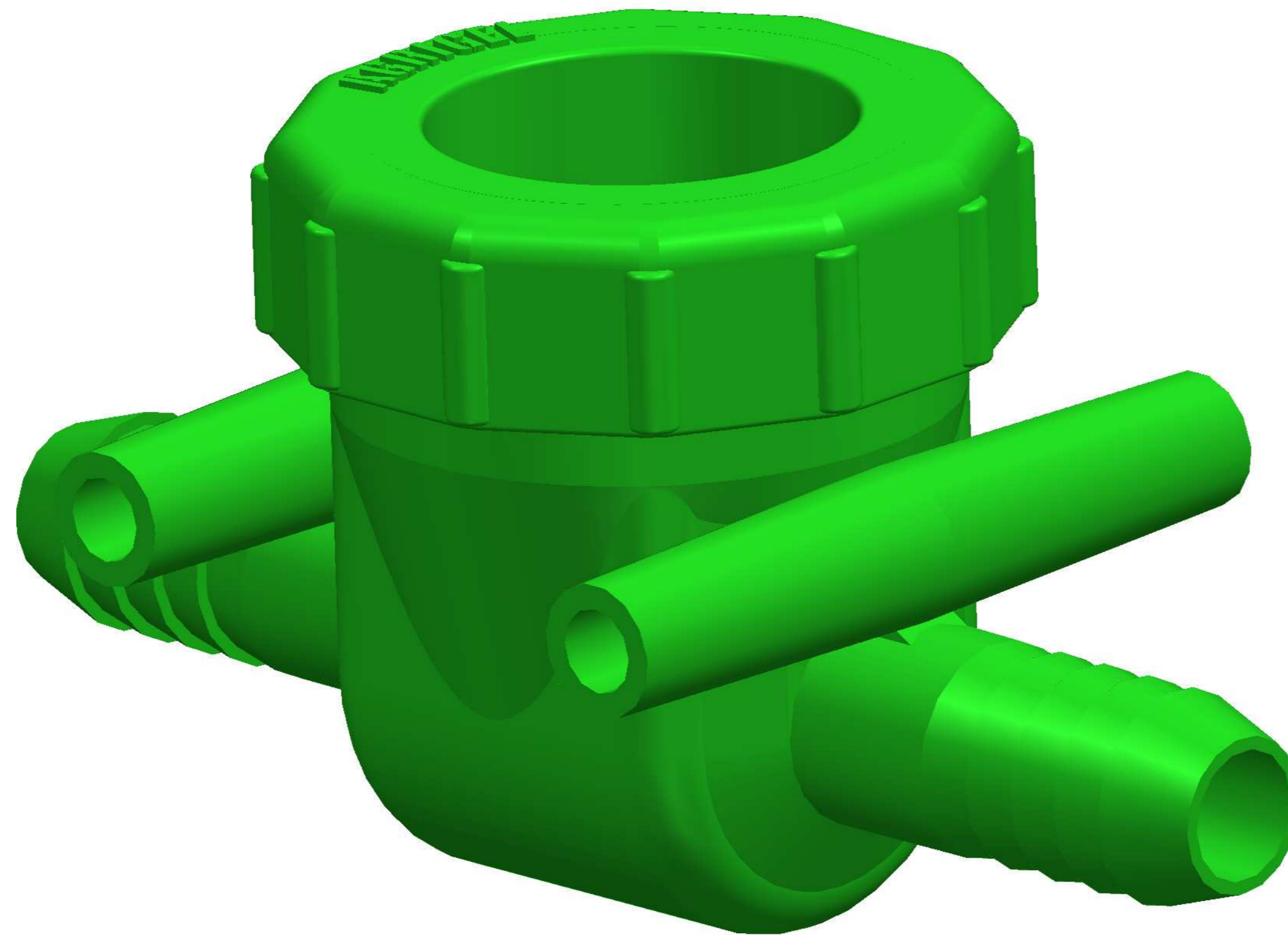


REVISION HISTORY			
REV	DESCRIPTION	DATE	APPROVED

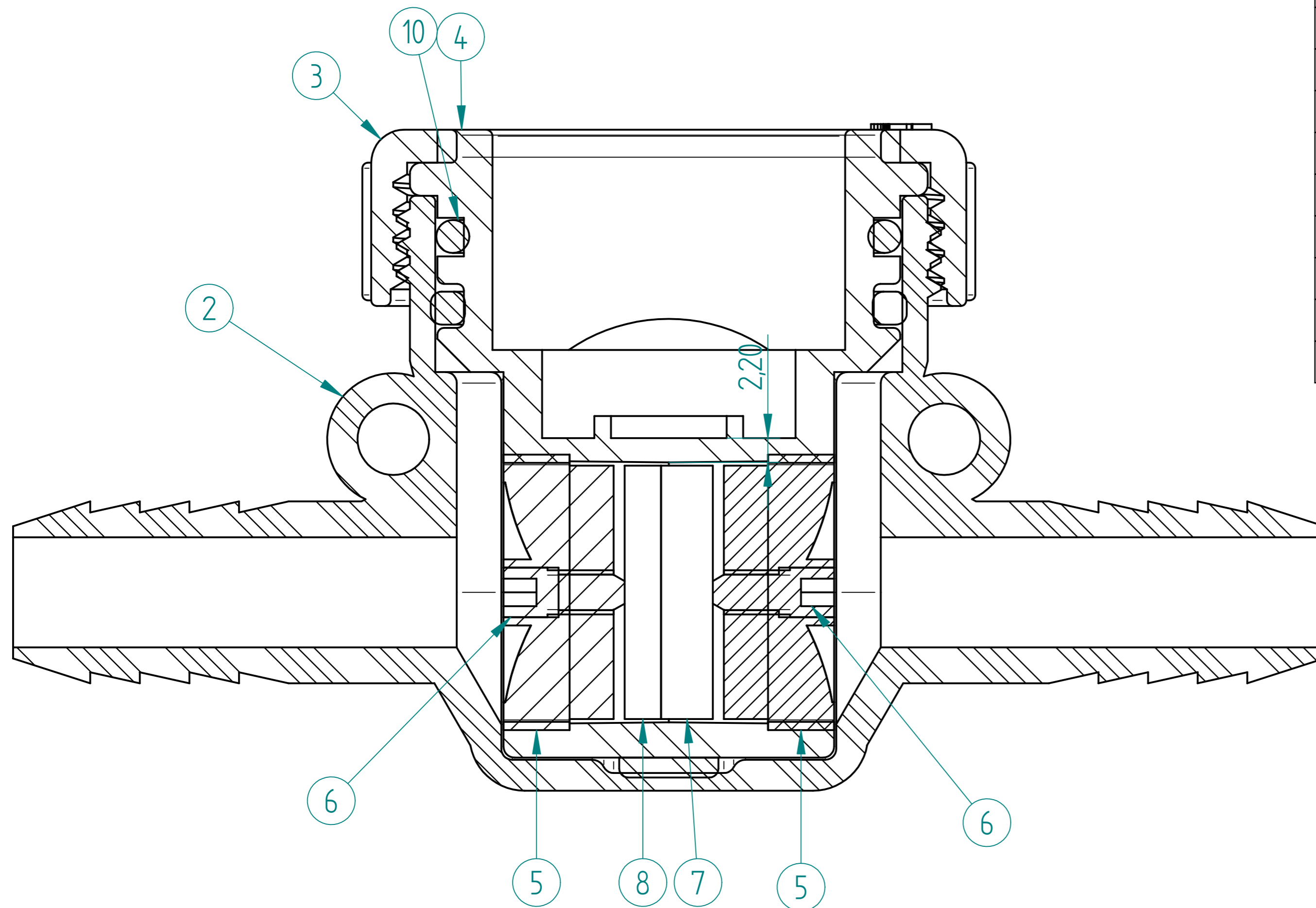


IMPELLOR UNIT IU-100

	NAME	DATE	AGRIGEL		
DRAWN	Dan	05/19/09			
APPROVED			TITLE Impellor Unit		
MATERIAL					
TREATMENT			SIZE A4	DWG NO IU-100	REV
UNLESS OTHERWISE SPECIFIED DIMENSIONS ARE IN MILLIMETERS			FILE NAME: Impellor Unit.dft		
1 st ANGLE 2 PL ±0.02 3 PL ±0.005			SCALE:	WEIGHT:	SHEET 1 OF 6

REVISION HISTORY			
REV	DESCRIPTION	DATE	APPROVED

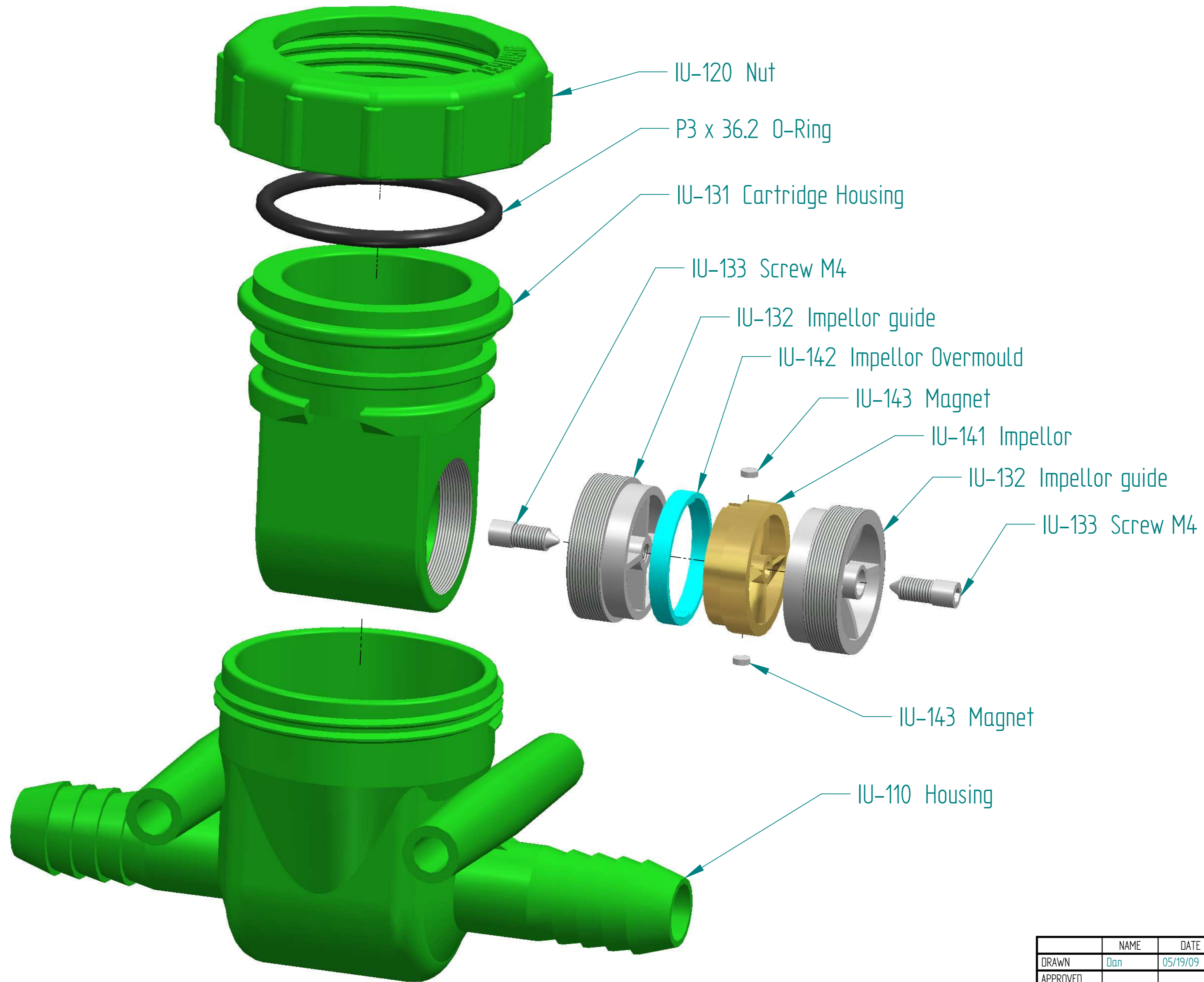
Item Number	Document Number	Title	Quantity
1			1
2	IU-110	Housing	1
3	IU-120	Nut	1
4	IU-131	Cartridge Housing	1
5	IU-132	Impellor guide	2
6	IU-133	Screw M4	2
7	IU-141	Impellor	1
8	IU-142	Impellor Overmould	1
9	IU-143	Magnet	2
10	P3 x 36.2	O-Ring	1



IU-100

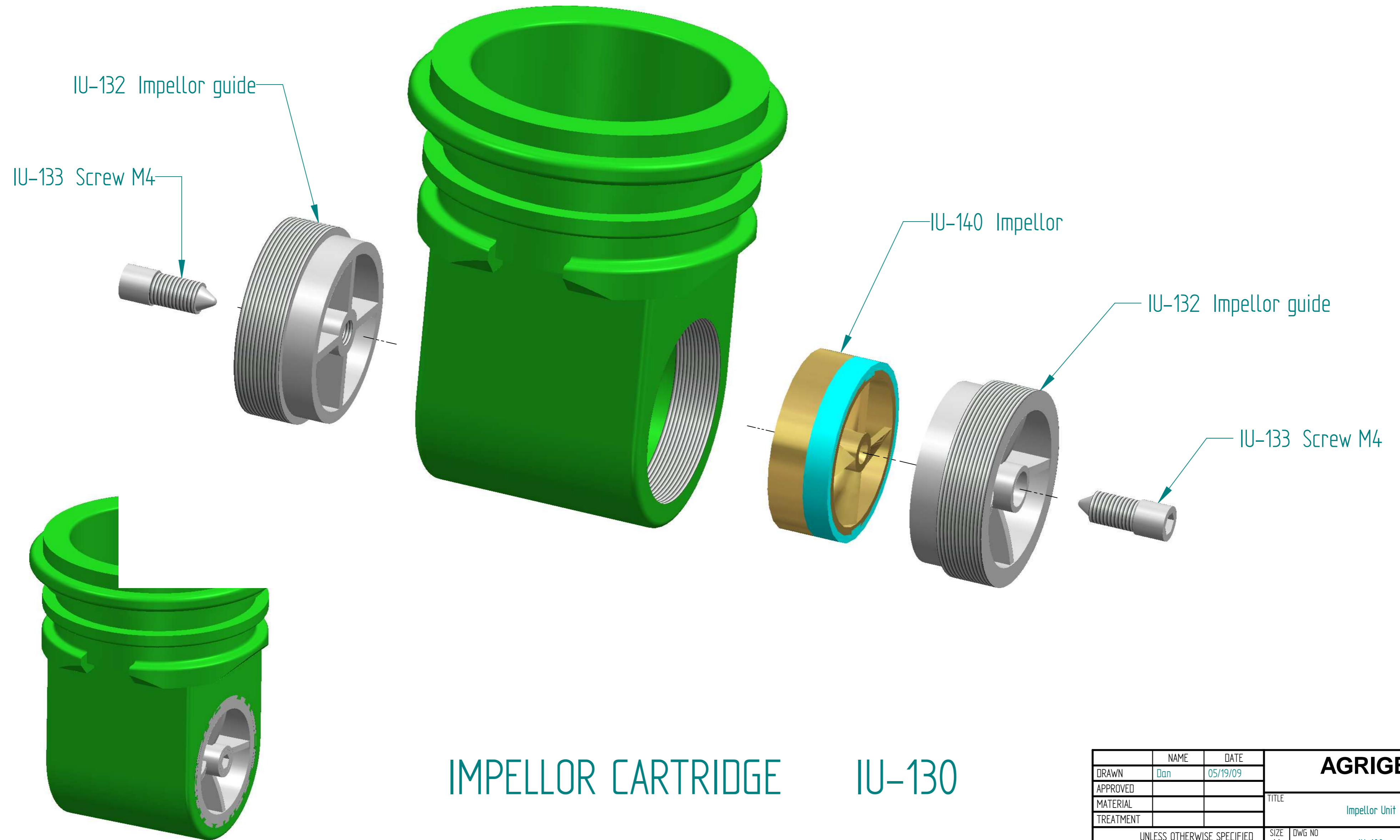
	NAME	DATE	AGRIGEL	
DRAWN	Dan	05/19/09		
APPROVED				
MATERIAL				
TREATMENT			TITLE	Impellor Unit
UNLESS OTHERWISE SPECIFIED DIMENSIONS ARE IN MILLIMETERS			SIZE A4	DWG NO IU-100
1st ANGLE ANGLES ±0.1°			FILE NAME: Impellor Unit.dft	REV
2 PL ±0.02 3 PL ±0.005			SCALE:	WEIGHT: SHEET 2 OF 6

REVISION HISTORY			
REV	DESCRIPTION	DATE	APPROVED



	NAME	DATE	AGRIGEL	
DRAWN	Dan	05/19/09		
APPROVED				
MATERIAL				
TREATMENT			TITLE	Impellor Unit
UNLESS OTHERWISE SPECIFIED DIMENSIONS ARE IN MILLIMETERS			SIZE	DWG NO
1 st ANGLE ANGLES ±0.1°			A4	IU-100
2 PL ±0.02 3 PL ±0.005			FILE NAME: Impellor Unit.dft	REV
			SCALE:	WEIGHT:
			SHEET 3 OF 6	

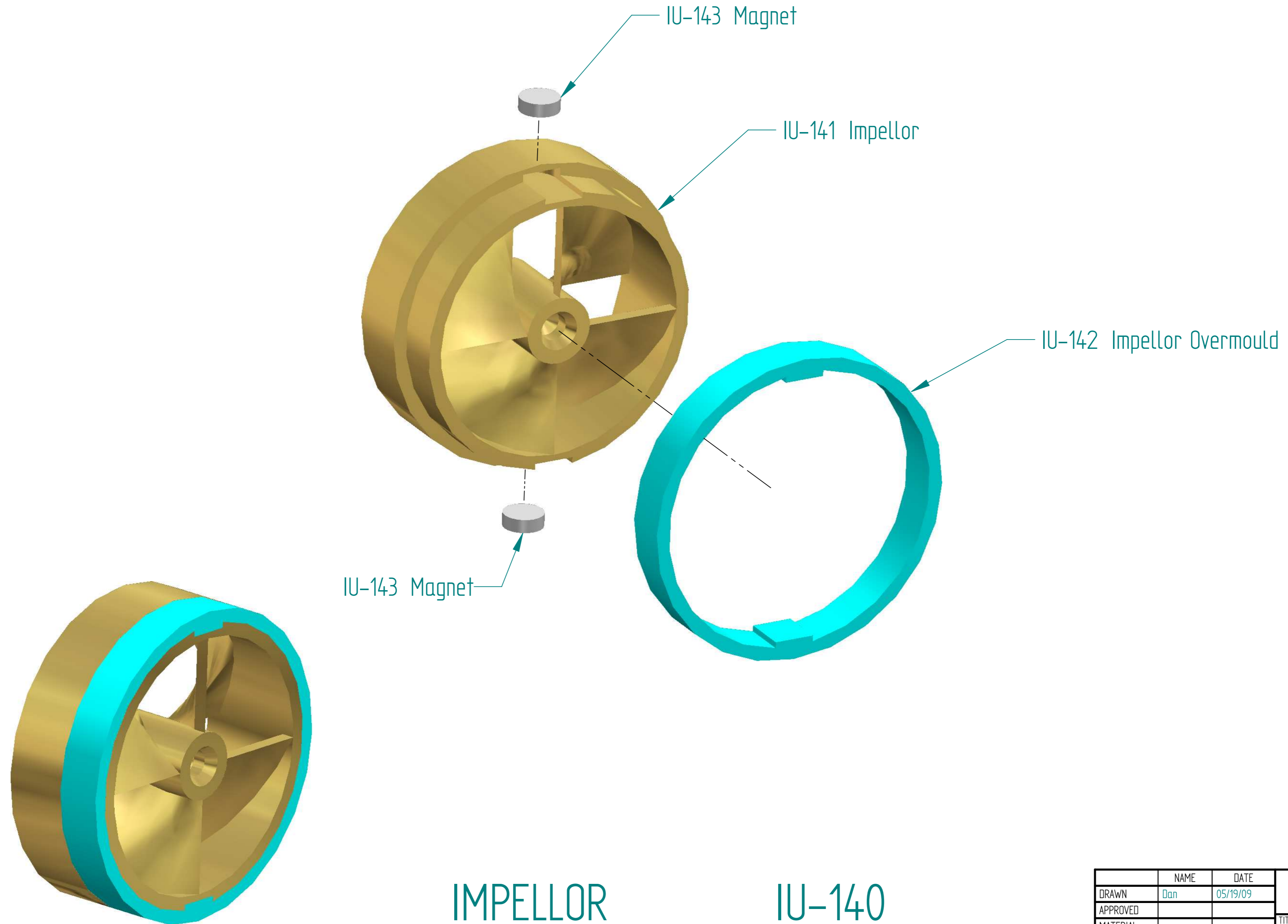
REVISION HISTORY			
REV	DESCRIPTION	DATE	APPROVED



IMPELLOR CARTRIDGE IU-130

	NAME	DATE	AGRIGEL	
DRAWN	Dan	05/19/09	TITLE	
APPROVED			Impellor Unit	
MATERIAL			SIZE	DWG NO
TREATMENT			A4	IU-100
UNLESS OTHERWISE SPECIFIED DIMENSIONS ARE IN MILLIMETERS			FILE NAME:	REV
1st ANGLE 2 PL ±0.02 3 PL ±0.005			Impellor Unit.dft	
			SCALE:	WEIGHT:
				SHEET 4 OF 6

REVISION HISTORY			
REV	DESCRIPTION	DATE	APPROVED

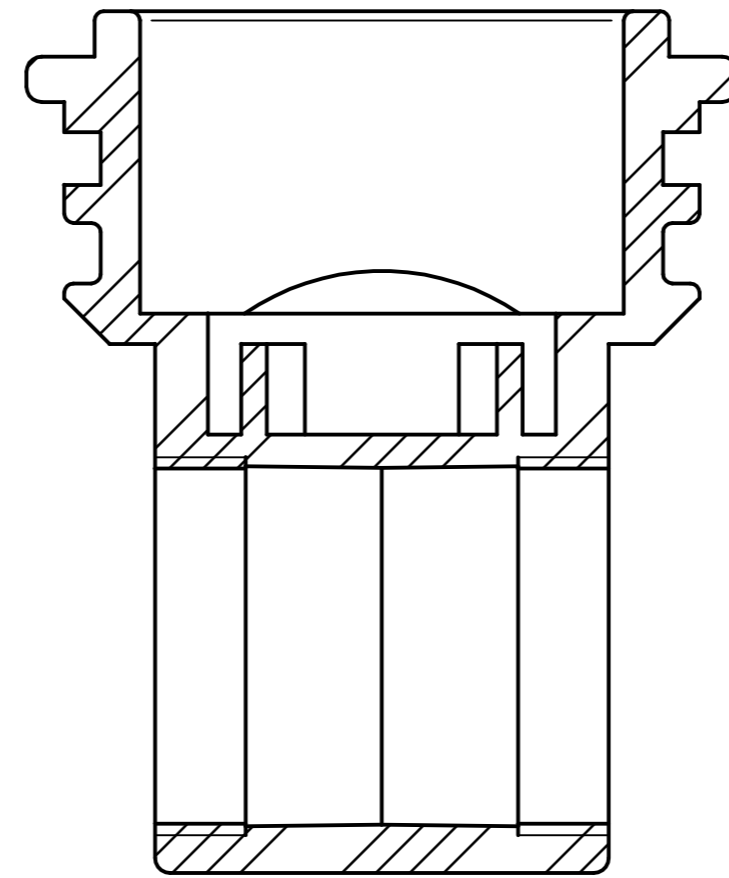
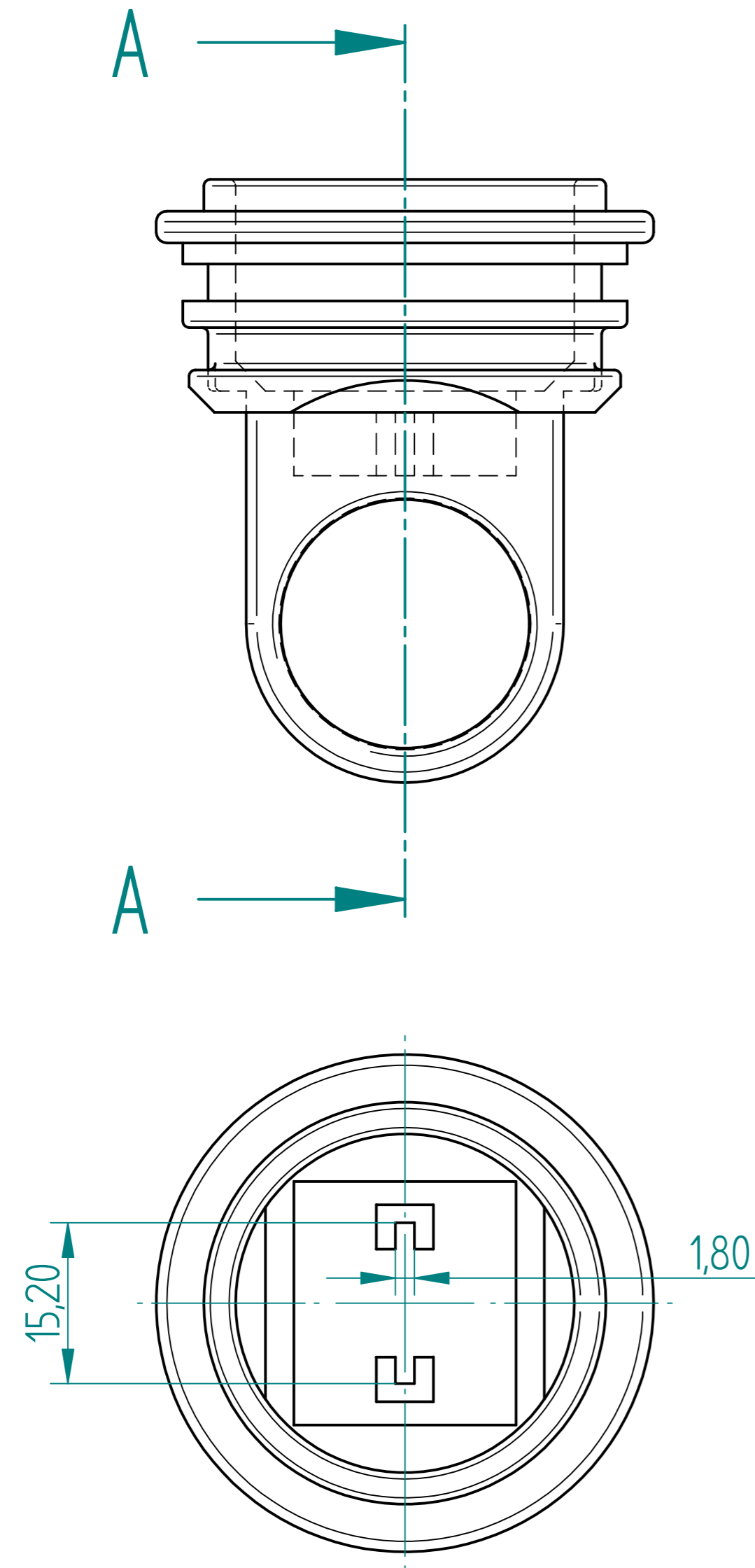


IMPELLOR

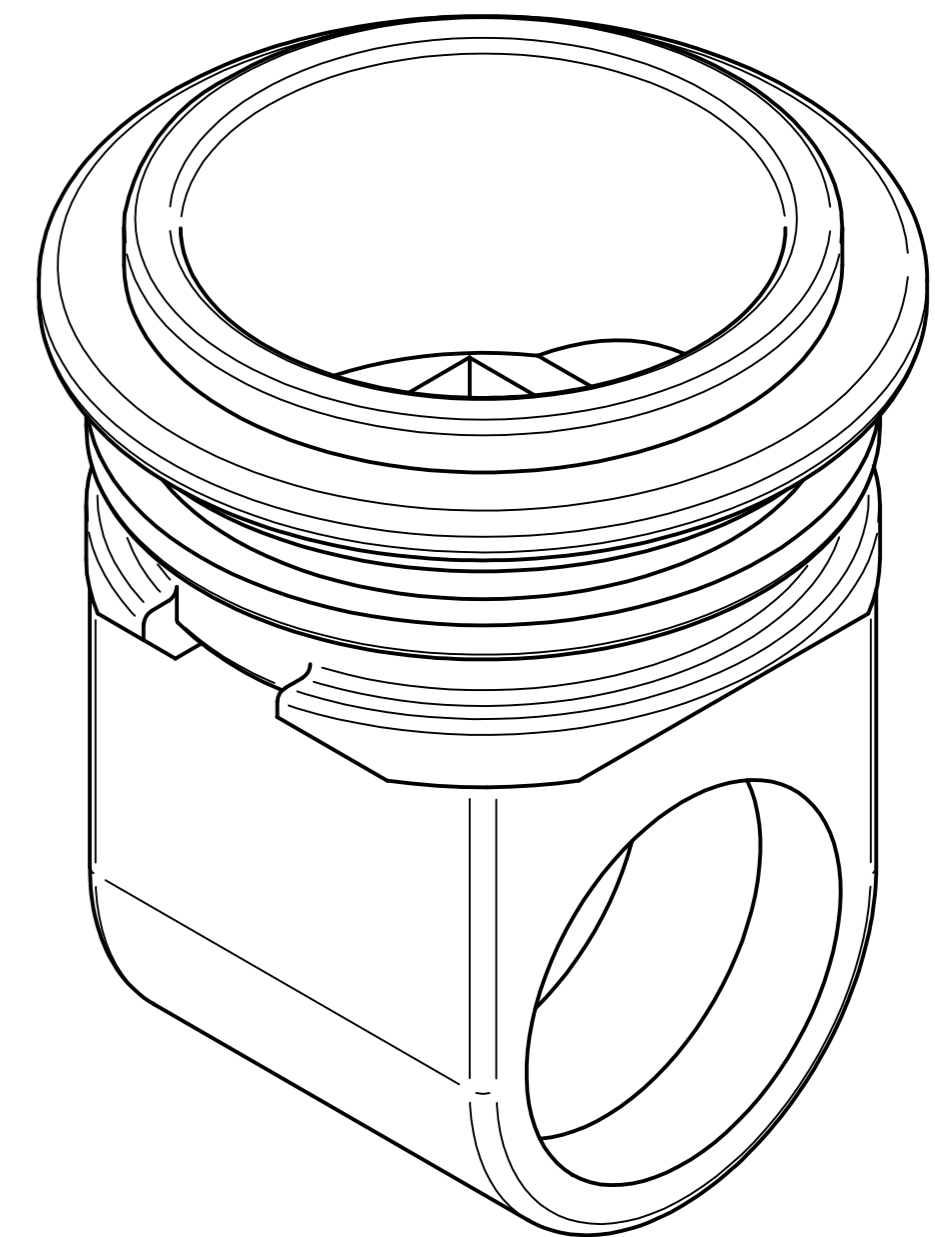
IU-140

	NAME	DATE	AGRIGEL	
DRAWN	Dan	05/19/09	TITLE	
APPROVED			Impellor Unit	
MATERIAL			SIZE	DWG NO
TREATMENT			A4	IU-100
UNLESS OTHERWISE SPECIFIED DIMENSIONS ARE IN MILLIMETERS			FILE NAME:	REV
1 st ANGLE ANGLES ±0.1°			Impellor Unit.dft	
2 PL ±0.02 3 PL ±0.005			SCALE:	WEIGHT:
				SHEET 5 OF 6

REVISION HISTORY			
REV	DESCRIPTION	DATE	APPROVED



SECTION A-A



	NAME	DATE	AGRIGEL	
DRAWN	Dan	05/19/09	TITLE	
APPROVED			Impellor Unit	
MATERIAL			SIZE	DWG NO
TREATMENT			A4	IU-100
UNLESS OTHERWISE SPECIFIED DIMENSIONS ARE IN MILLIMETERS			FILE NAME: Impellor Unit.dft	REV
1 st ANGLE ANGLES ±0,1°			SCALE:	WEIGHT:
2 PL ±0,02 3 PL ±0,005			SHEET 6 OF 6	