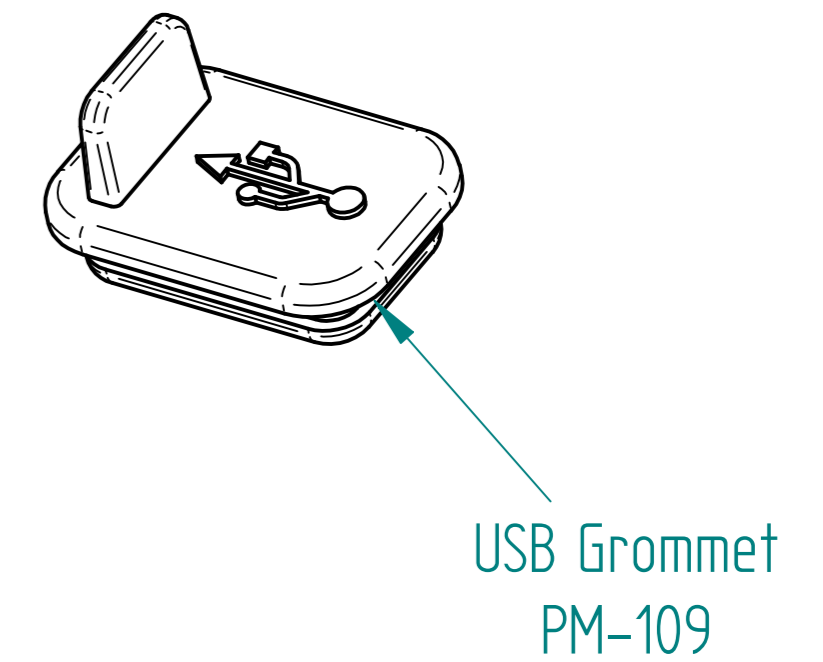
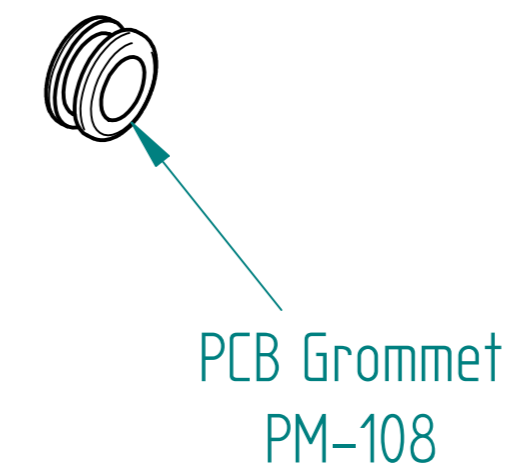
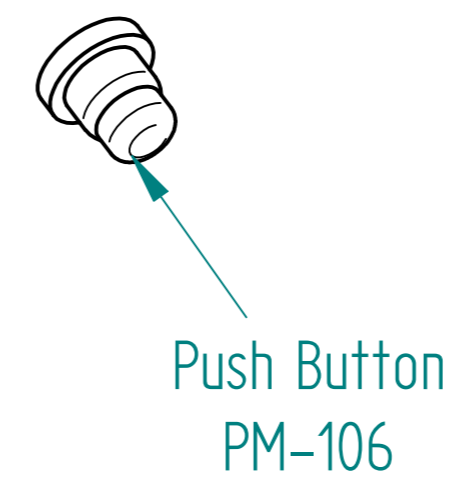
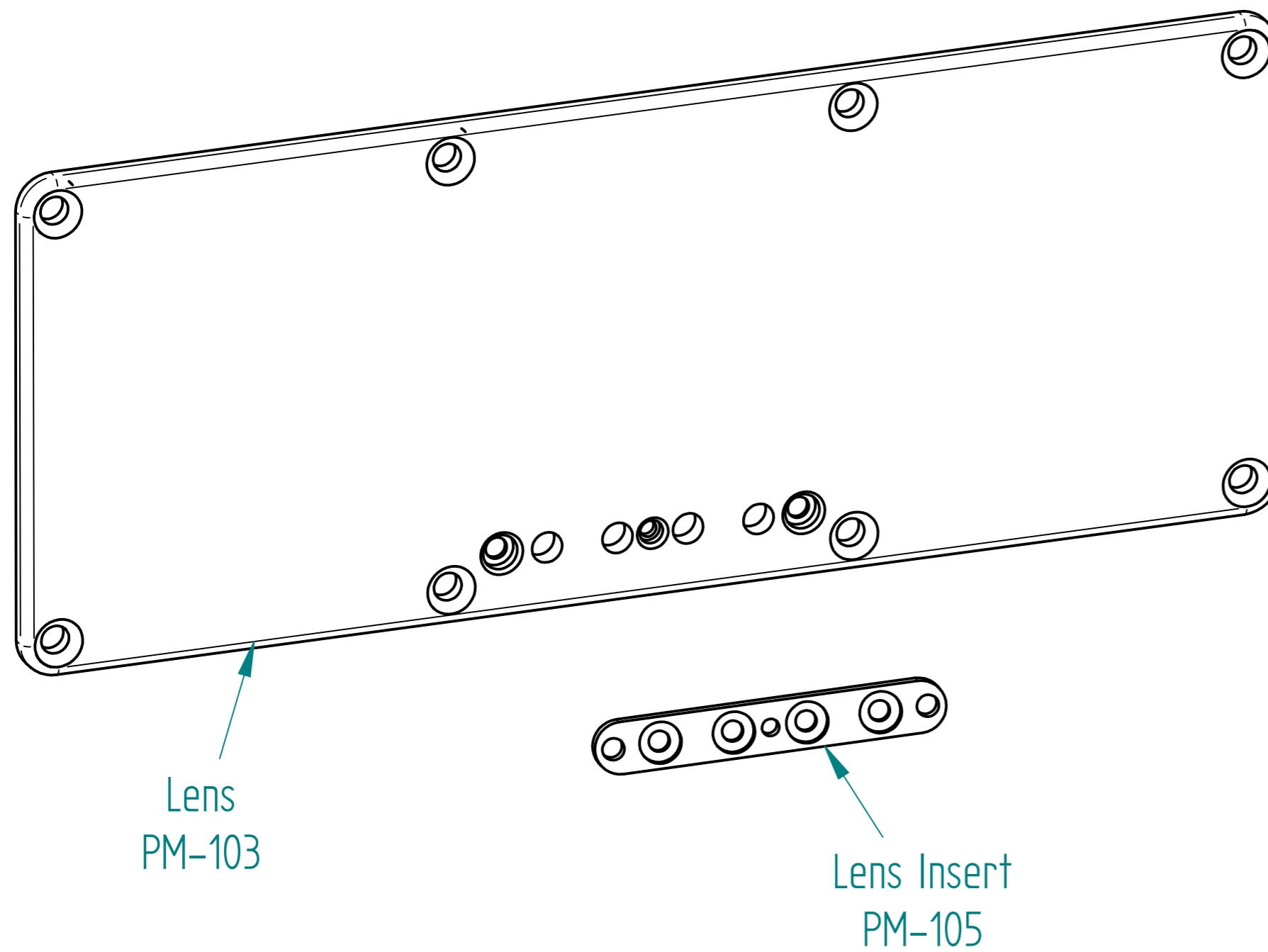
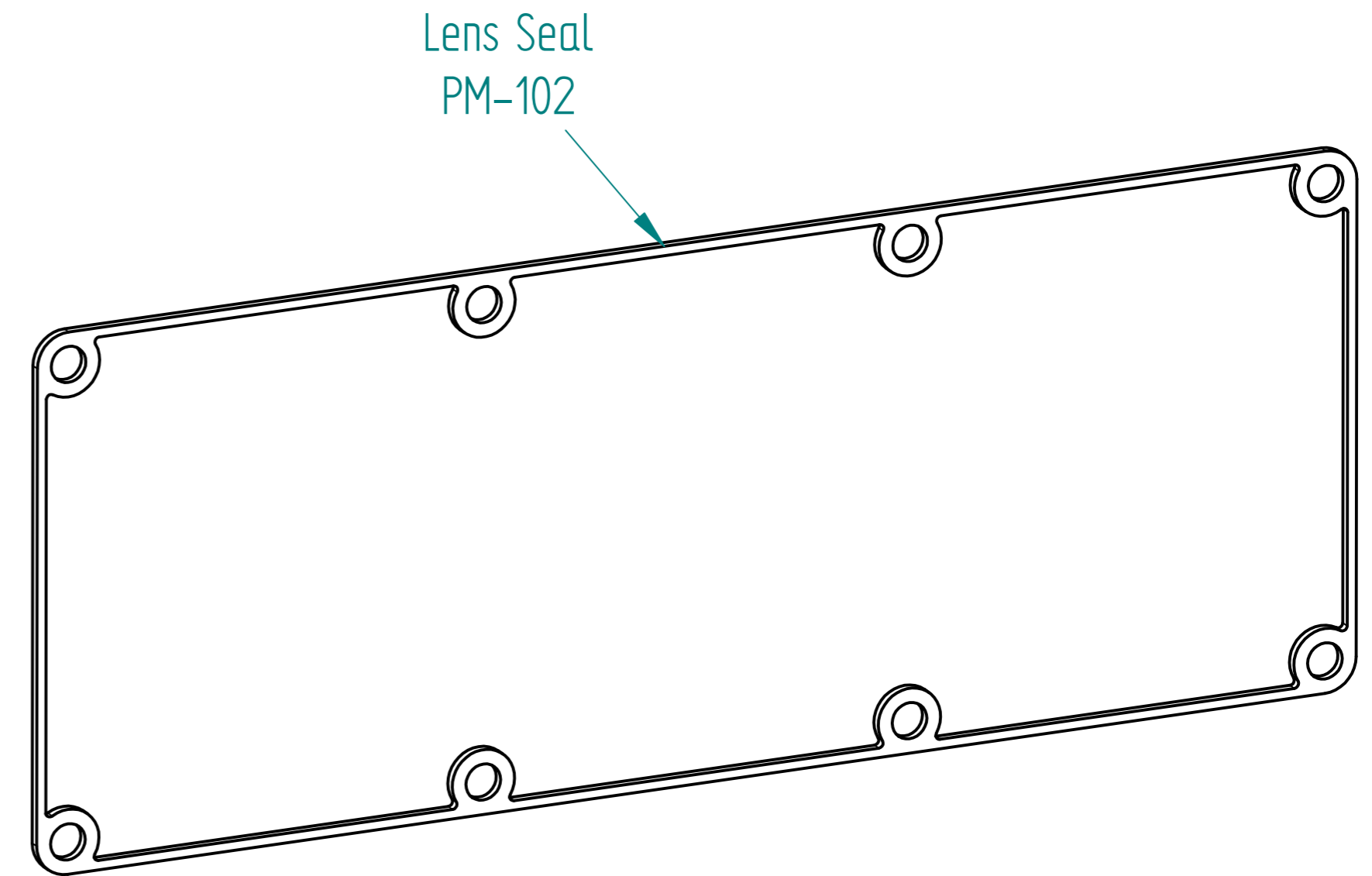
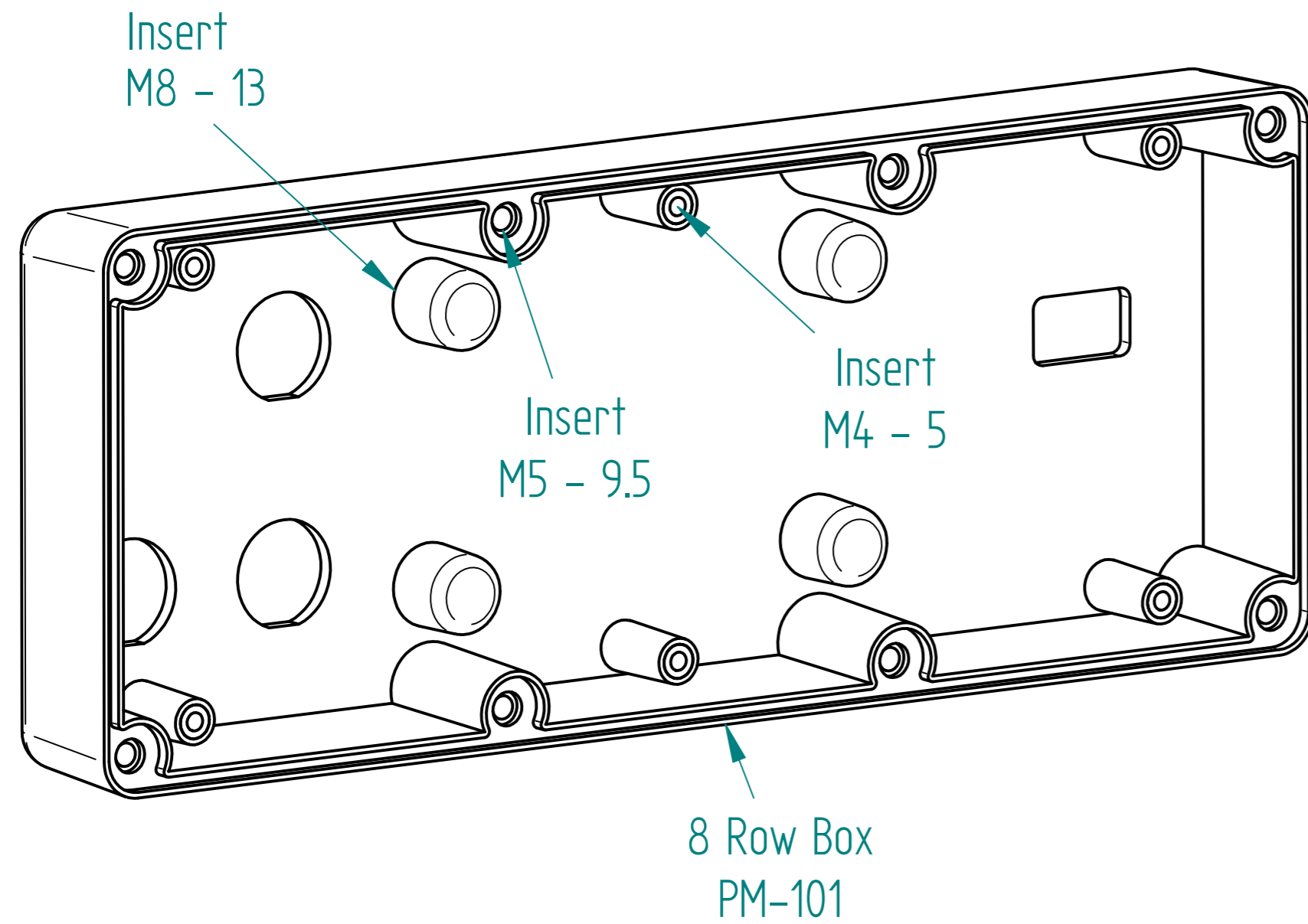


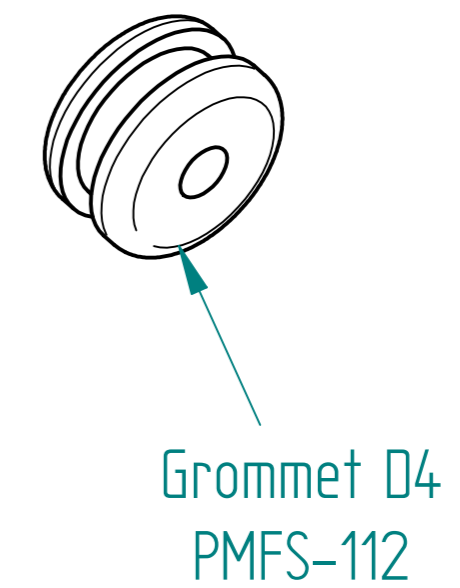
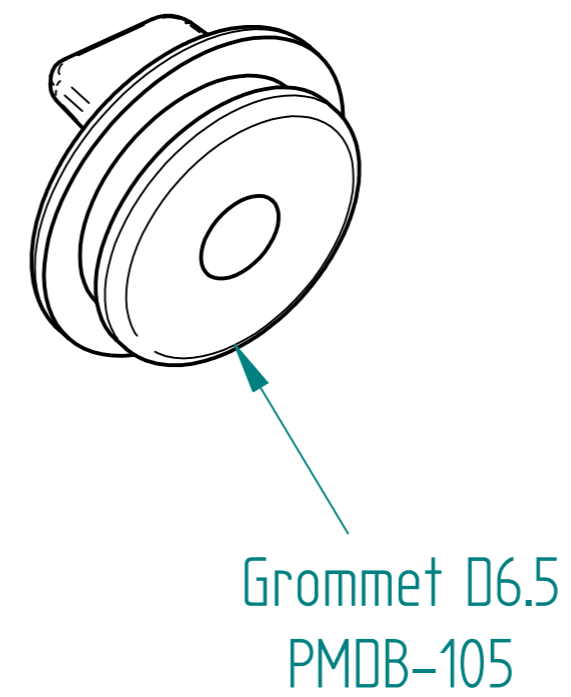
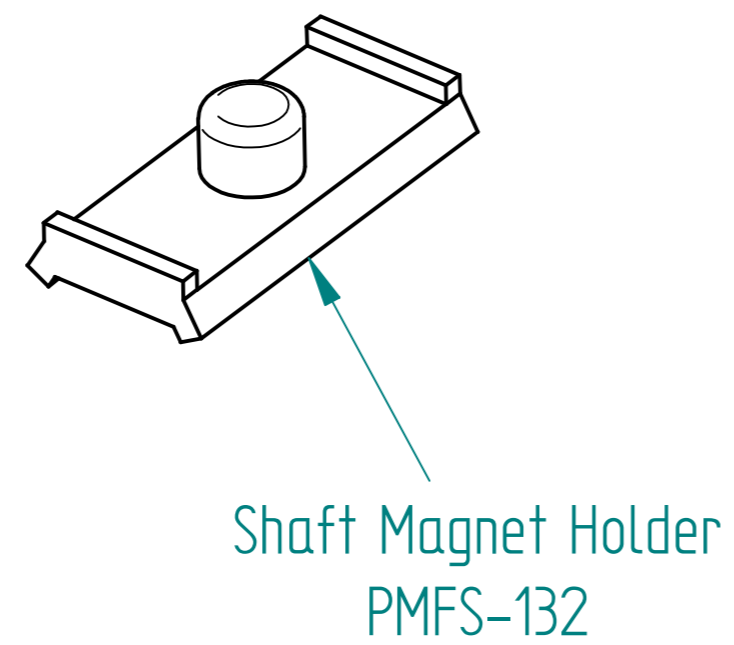
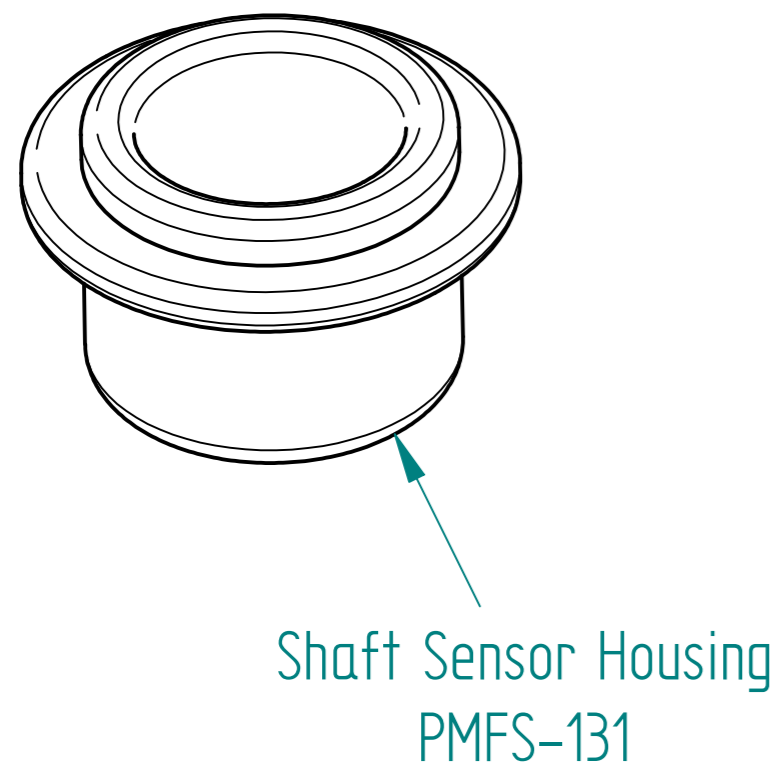
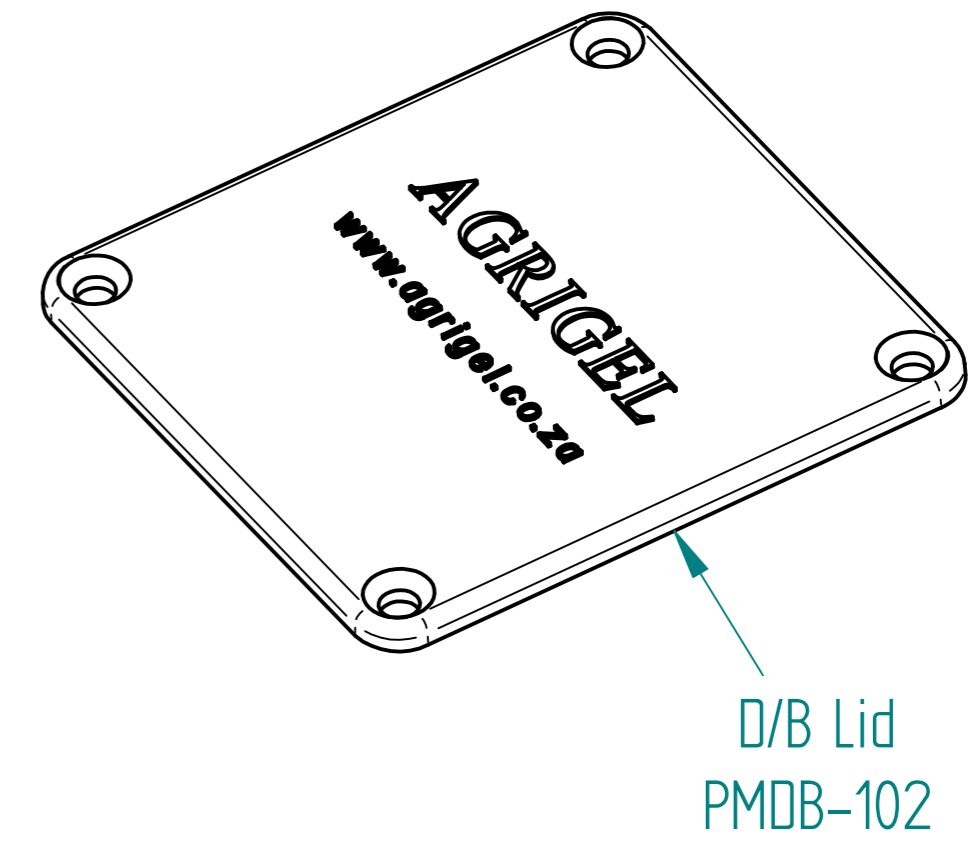
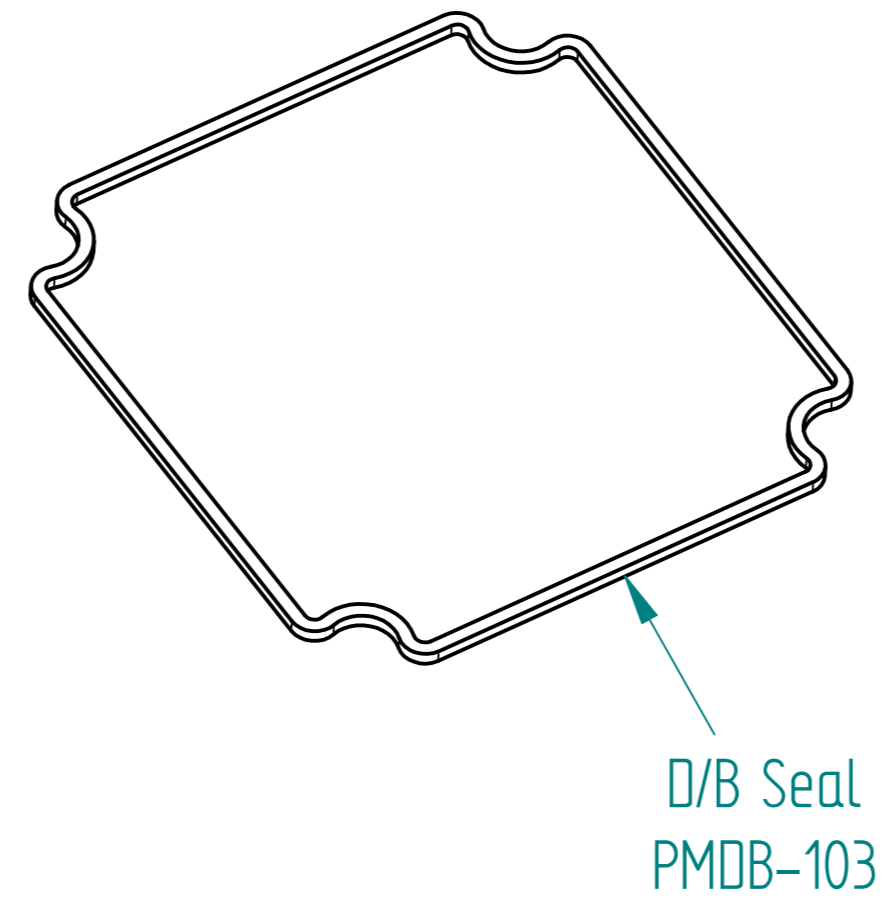
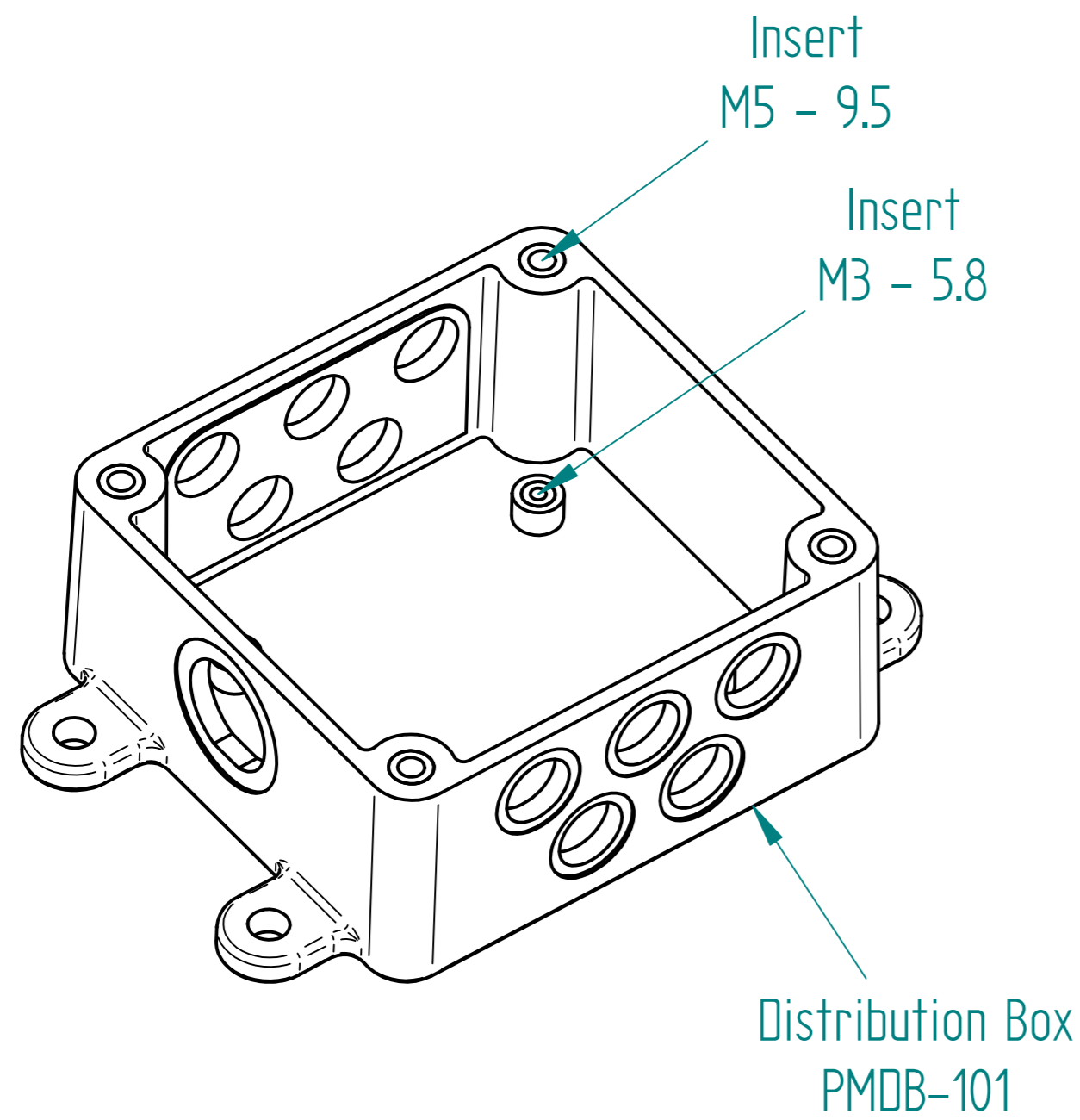
| REVISION HISTORY | | | |
|------------------|-------------|------|----------|
| REV | DESCRIPTION | DATE | APPROVED |
| | | | |



PLANTER MONITOR

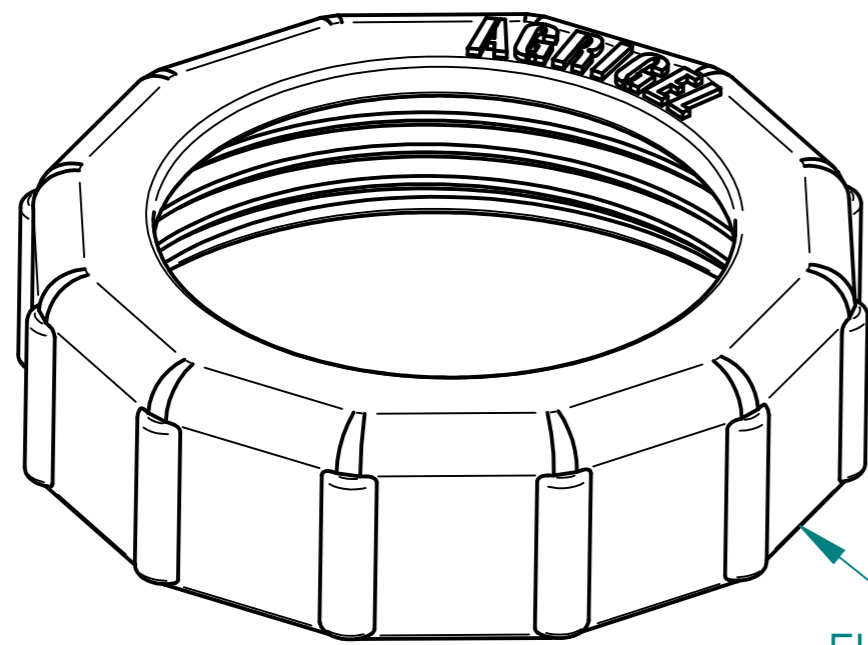
| | | | | |
|---|------|----------|------------------------------------|---------|
| DRAWN | NAME | DATE | AGRIGEL | |
| APPROVED | Dan | 08/10/10 | TITLE | |
| MATERIAL | | | SIZE | DWG NO |
| TREATMENT | | | A4 | REV |
| UNLESS OTHERWISE SPECIFIED DIMENSIONS ARE IN MILLIMETERS | | | FILE NAME: Dave Impeller Parts.dft | |
| 1st ANGLE ANGLES ±0.1° | | | SCALE: | WEIGHT: |
| 2 PL ±0.02 3 PL ±0.005 | | | SHEET 1 OF 16 | |

| REVISION HISTORY | | | |
|------------------|-------------|------|----------|
| REV | DESCRIPTION | DATE | APPROVED |
| | | | |

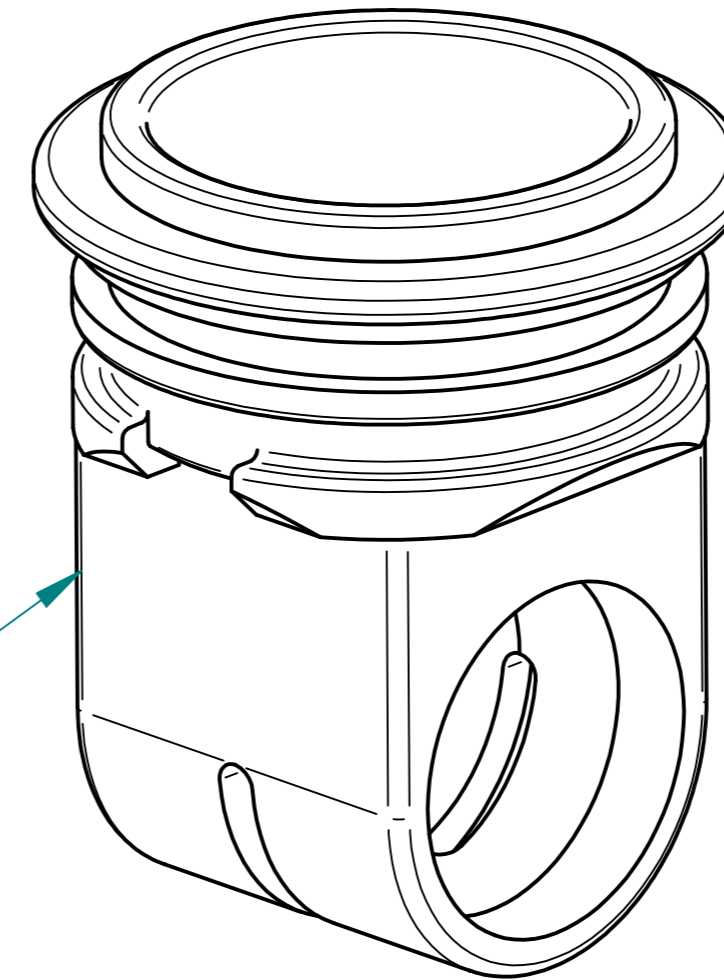


| | | | | |
|---|------|----------|------------------------------------|---------|
| | NAME | DATE | AGRIGEL | |
| DRAWN | Dan | 08/10/10 | | |
| APPROVED | | | | |
| MATERIAL | | | | |
| TREATMENT | | | TITLE | |
| UNLESS OTHERWISE SPECIFIED DIMENSIONS ARE IN MILLIMETERS | | | SIZE A4 | DWG NO |
| 1st ANGLE ANGLES ±0.1° | | | FILE NAME: Dave Impeller Parts.dft | |
| 2 PL ±0.02 3 PL ±0.005 | | | SCALE: | WEIGHT: |
| | | | SHEET 2 OF 16 | |

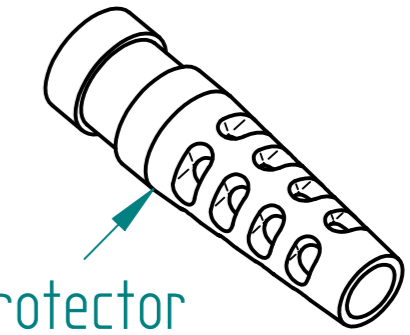
| REVISION HISTORY | | | |
|------------------|-------------|------|----------|
| REV | DESCRIPTION | DATE | APPROVED |
| | | | |



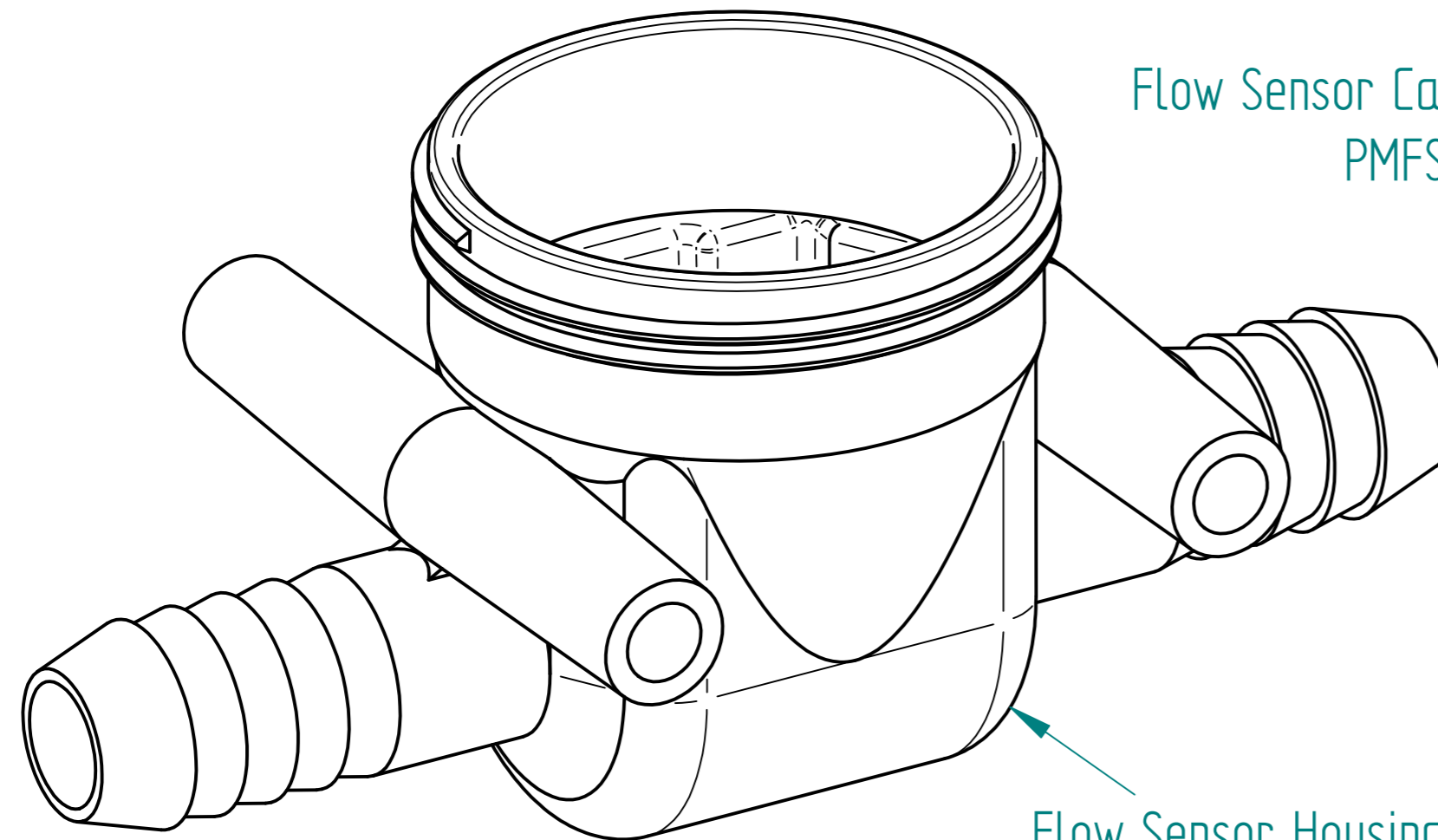
Flow Sensor Nut
PMFS-103



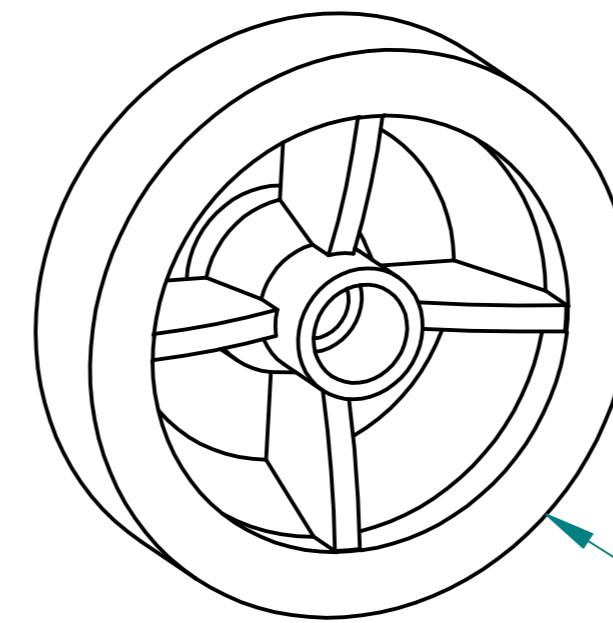
Flow Sensor Cartridge Housing
PMFS-104



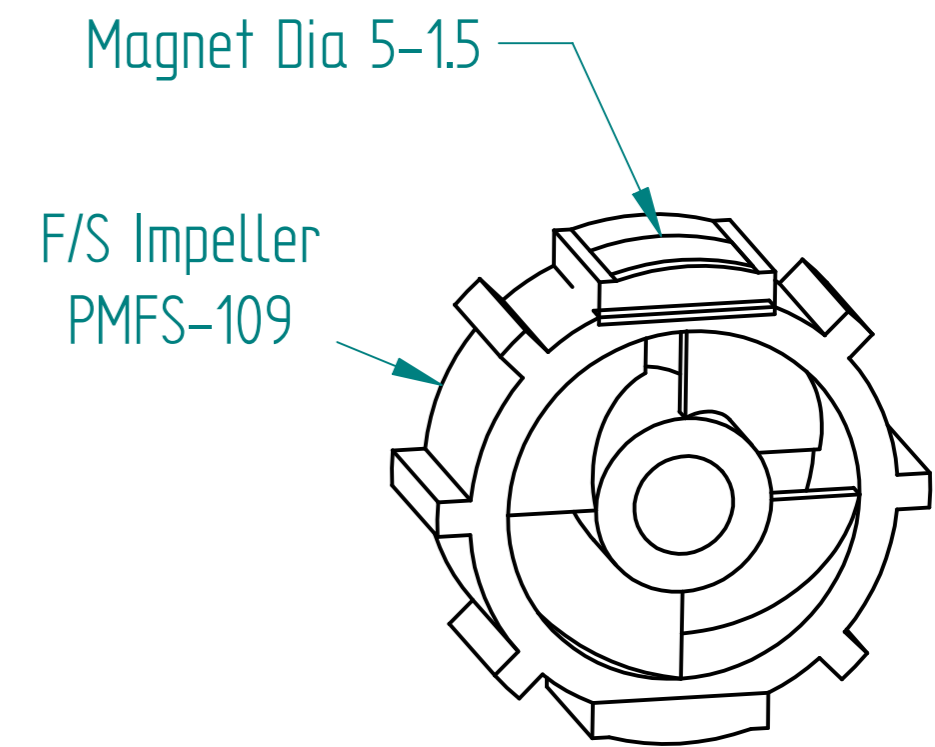
Cable Protector
PMFS-111



Flow Sensor Housing
PMFS-102

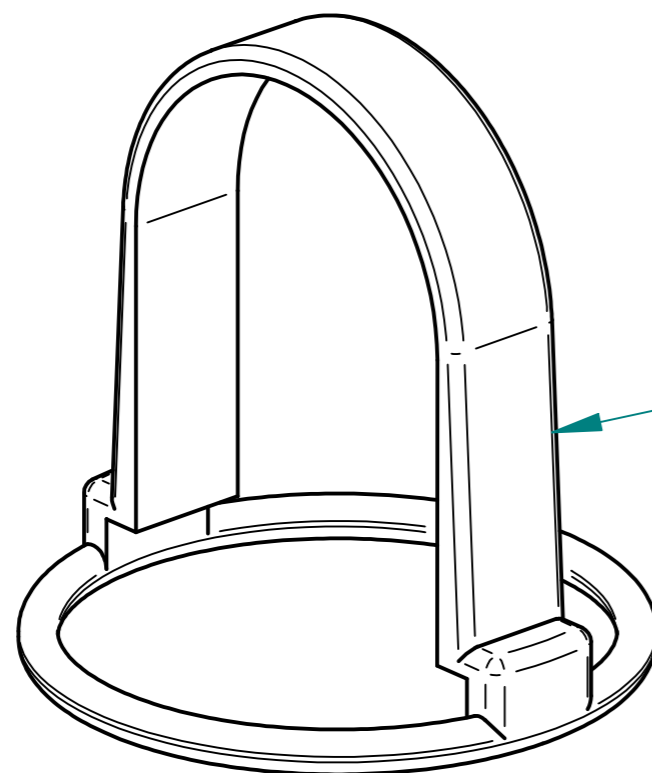


F/S Flow Guide
PMFS-105



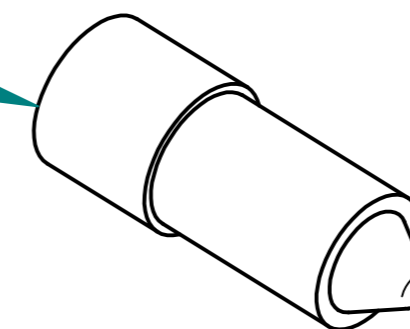
F/S Impeller
PMFS-109

Magnet Dia 5-1.5



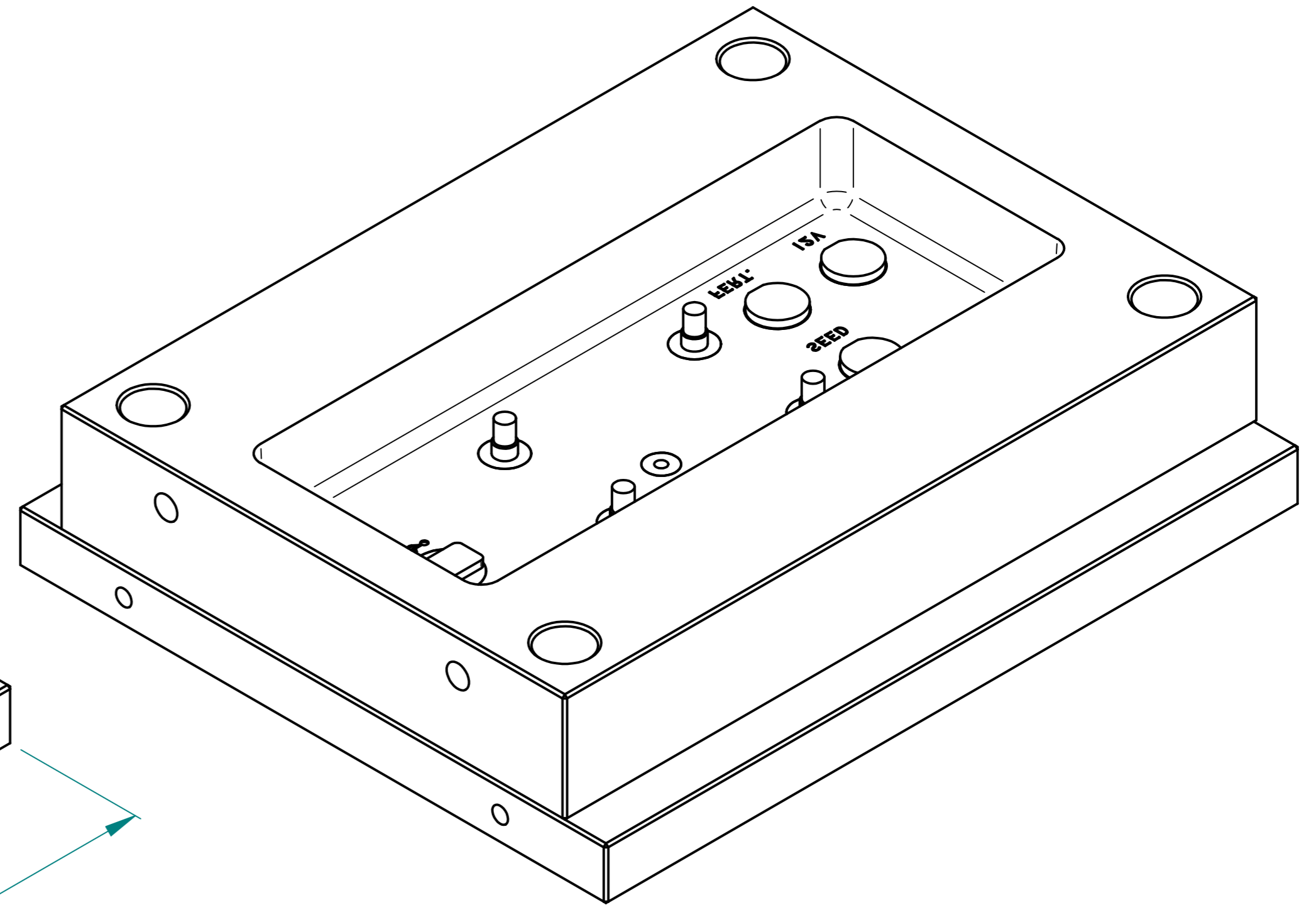
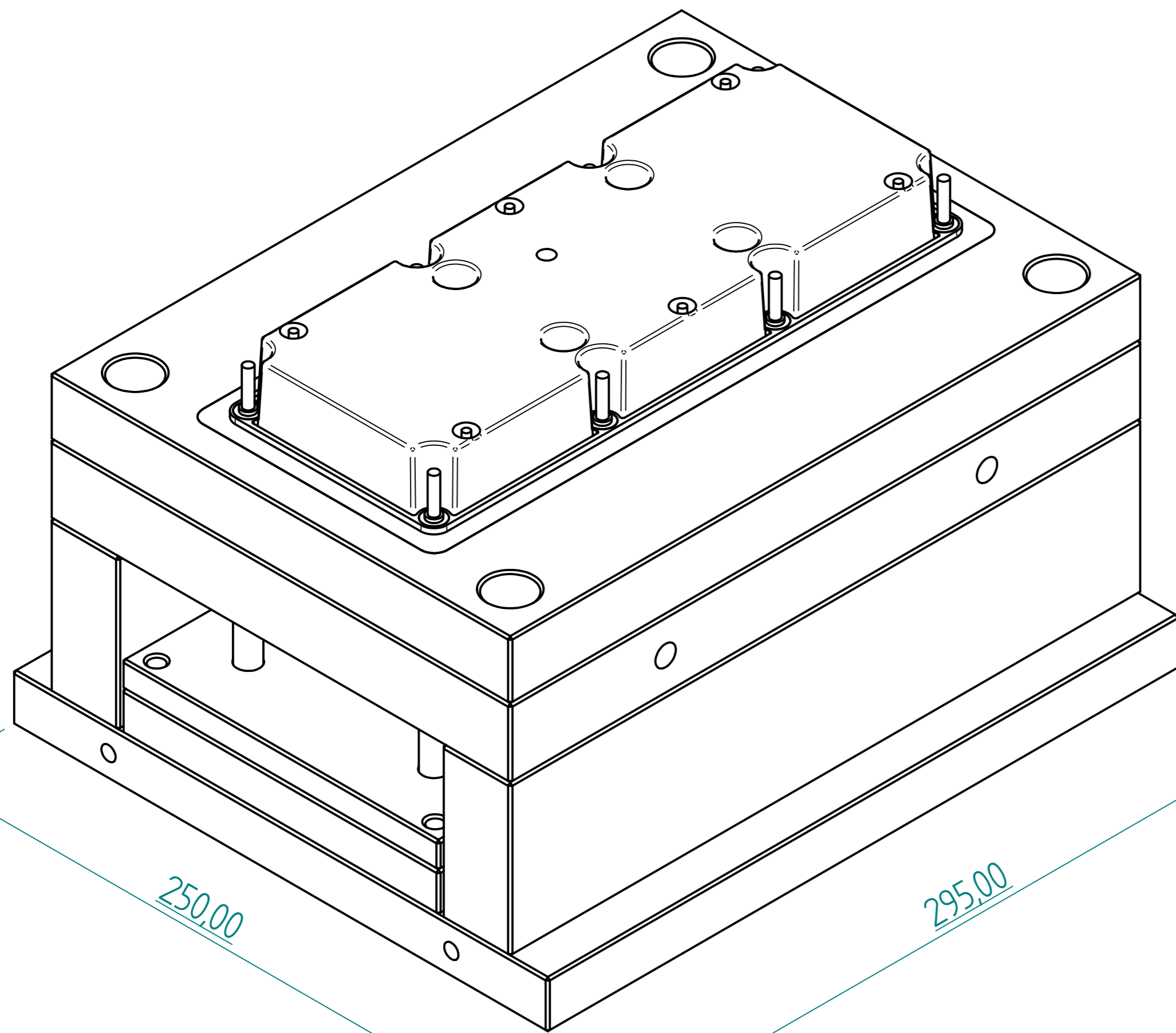
Seal
PMFS-107

F/S Screw M4
PMFS-106



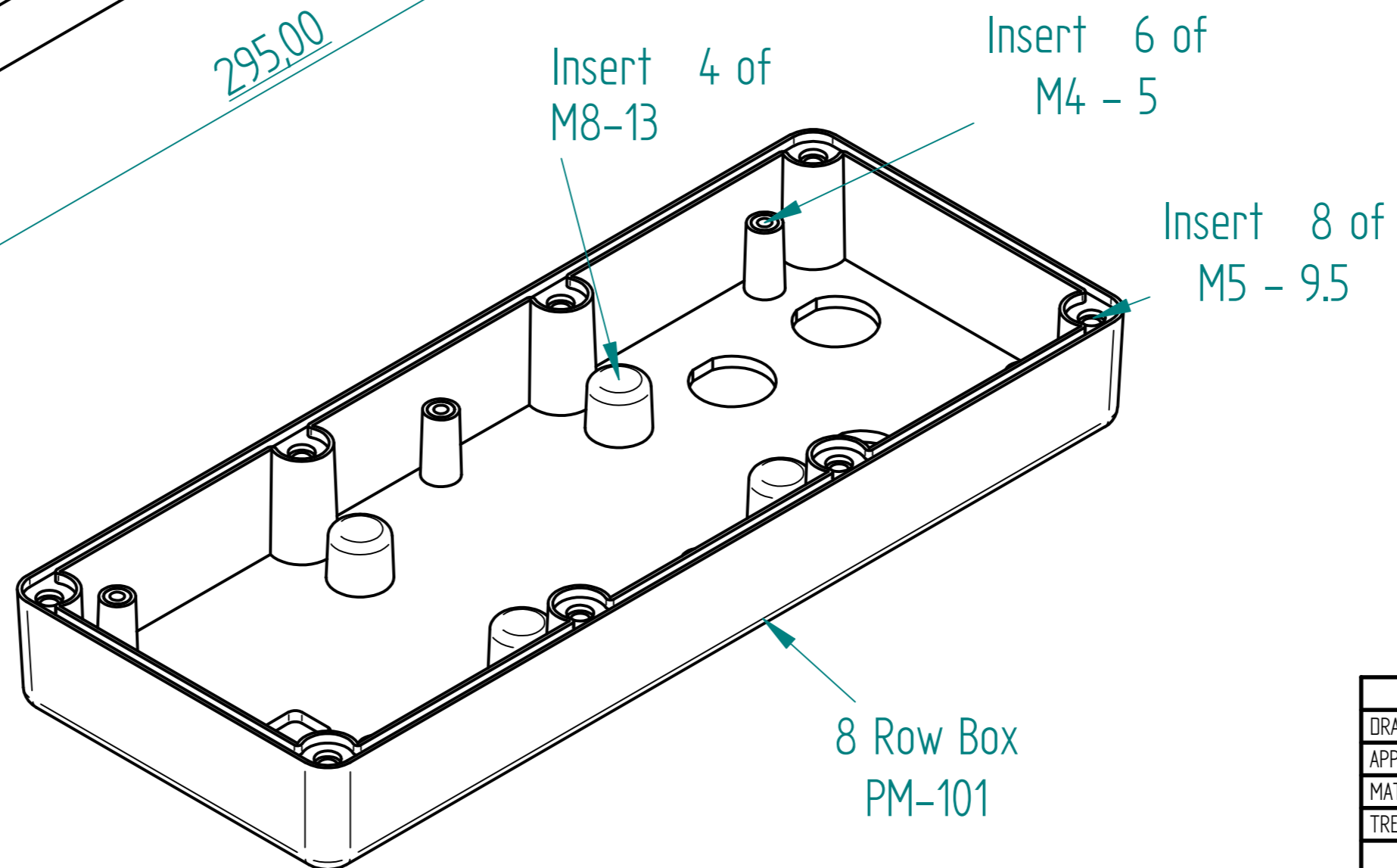
| | | | | |
|---|------|----------|------------------------------------|---------|
| | NAME | DATE | AGRIGEL | |
| DRAWN | Dan | 08/10/10 | | |
| APPROVED | | | TITLE | |
| MATERIAL | | | | |
| TREATMENT | | | | |
| UNLESS OTHERWISE SPECIFIED DIMENSIONS ARE IN MILLIMETERS | | | SIZE A4 | DWG NO |
| 1st ANGLE ANGLES ±0.1° | | | FILE NAME: Dave Impeller Parts.dft | |
| 2 PL ±0.02 3 PL ±0.005 | | | SCALE: | WEIGHT: |
| | | | SHEET 3 OF 16 | |

| REVISION HISTORY | | | |
|------------------|-------------|------|----------|
| REV | DESCRIPTION | DATE | APPROVED |
| | | | |



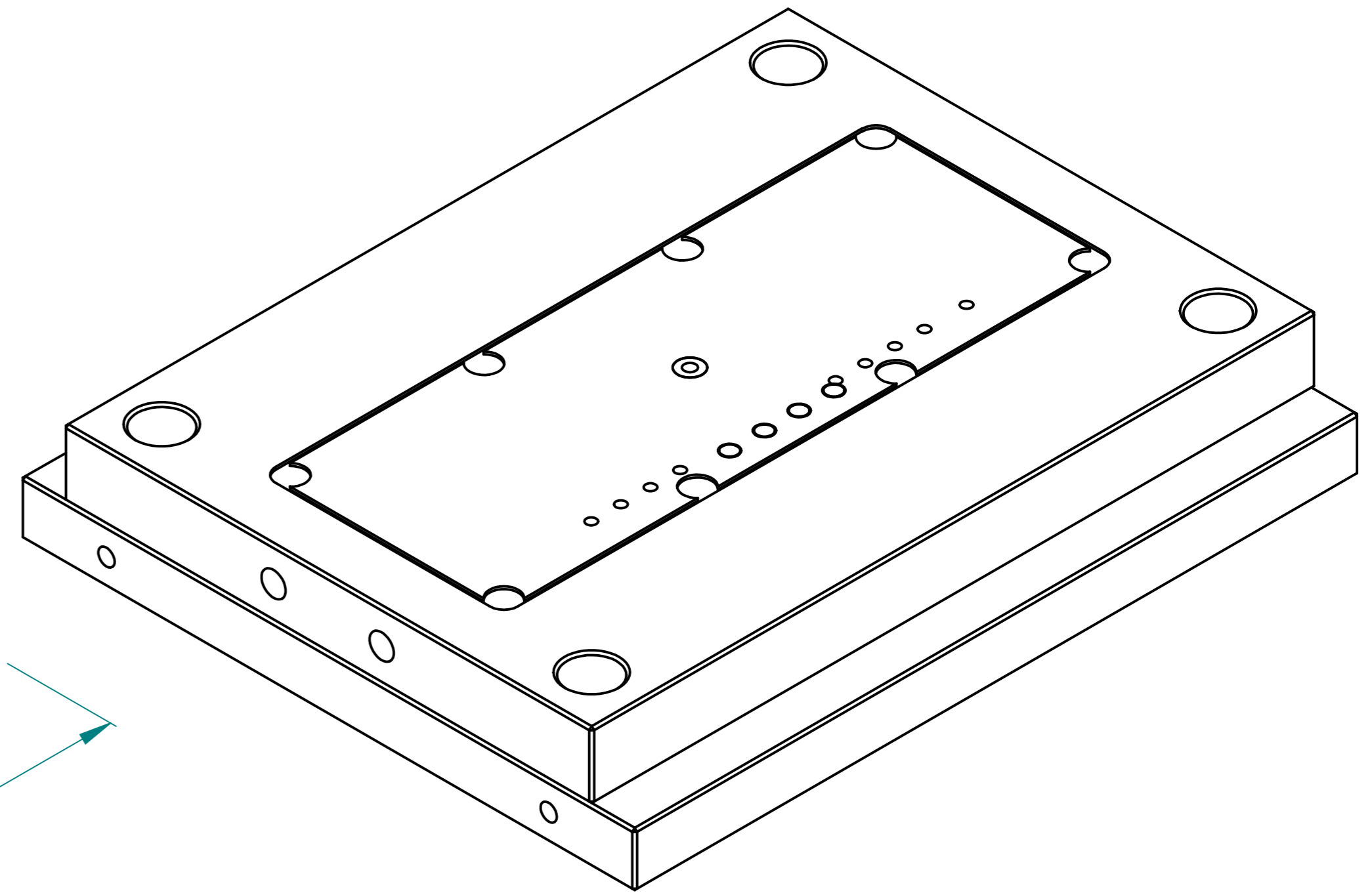
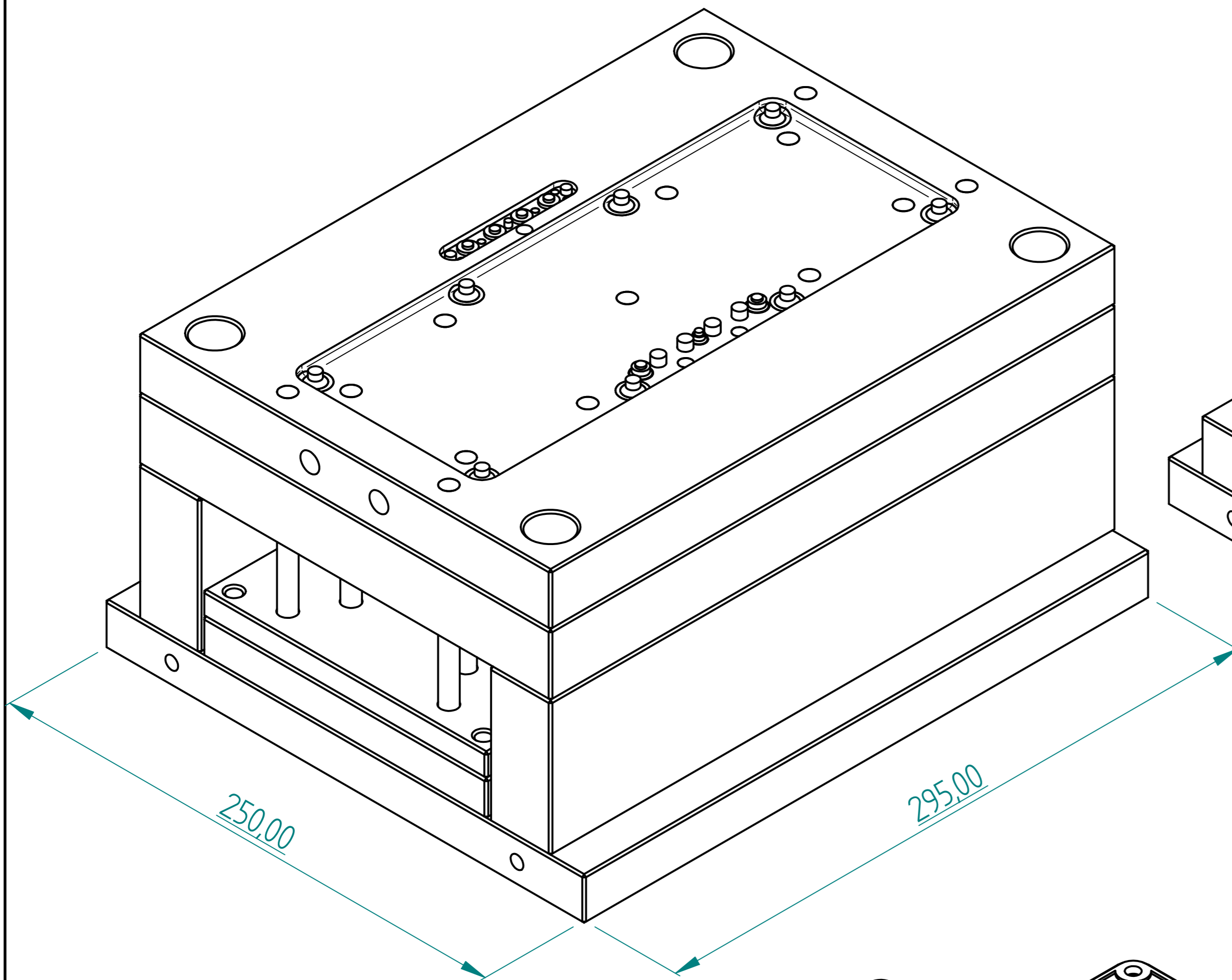
250.00

295.00

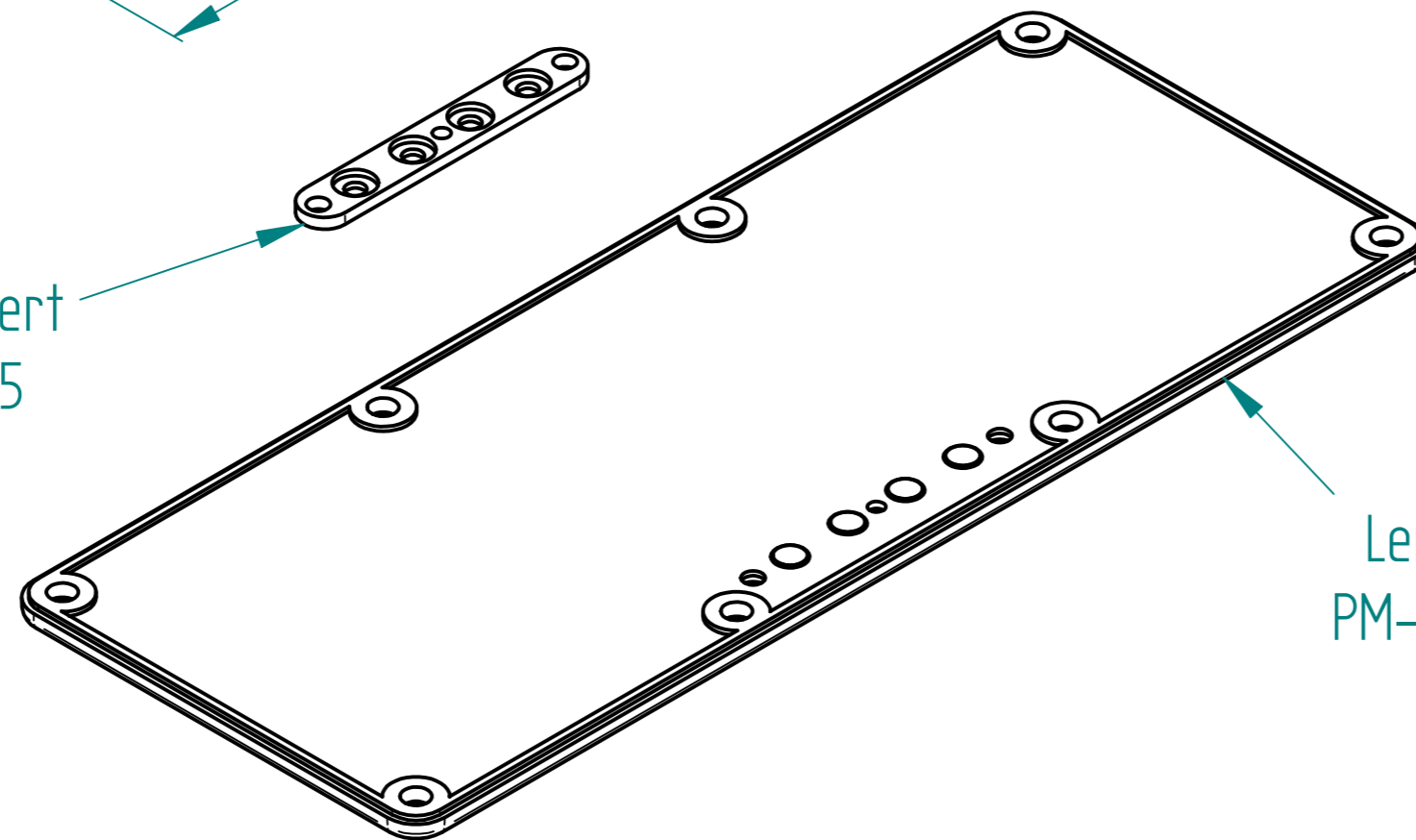


| | | | | |
|---|------|----------|------------------------------------|---------|
| | NAME | DATE | AGRIGEL | |
| DRAWN | Dan | 08/10/10 | | |
| APPROVED | | | | |
| MATERIAL | | | | |
| TREATMENT | | | TITLE | |
| UNLESS OTHERWISE SPECIFIED DIMENSIONS ARE IN MILLIMETERS | | | SIZE A4 | DWG NO |
| 1st ANGLE ANGLES ±0.1° | | | FILE NAME: Dave Impeller Parts.dft | |
| 2 PL ±0.02 3 PL ±0.005 | | | SCALE: | WEIGHT: |
| | | | SHEET 4 OF 16 | |

| REVISION HISTORY | | | |
|------------------|-------------|------|----------|
| REV | DESCRIPTION | DATE | APPROVED |
| | | | |



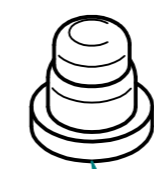
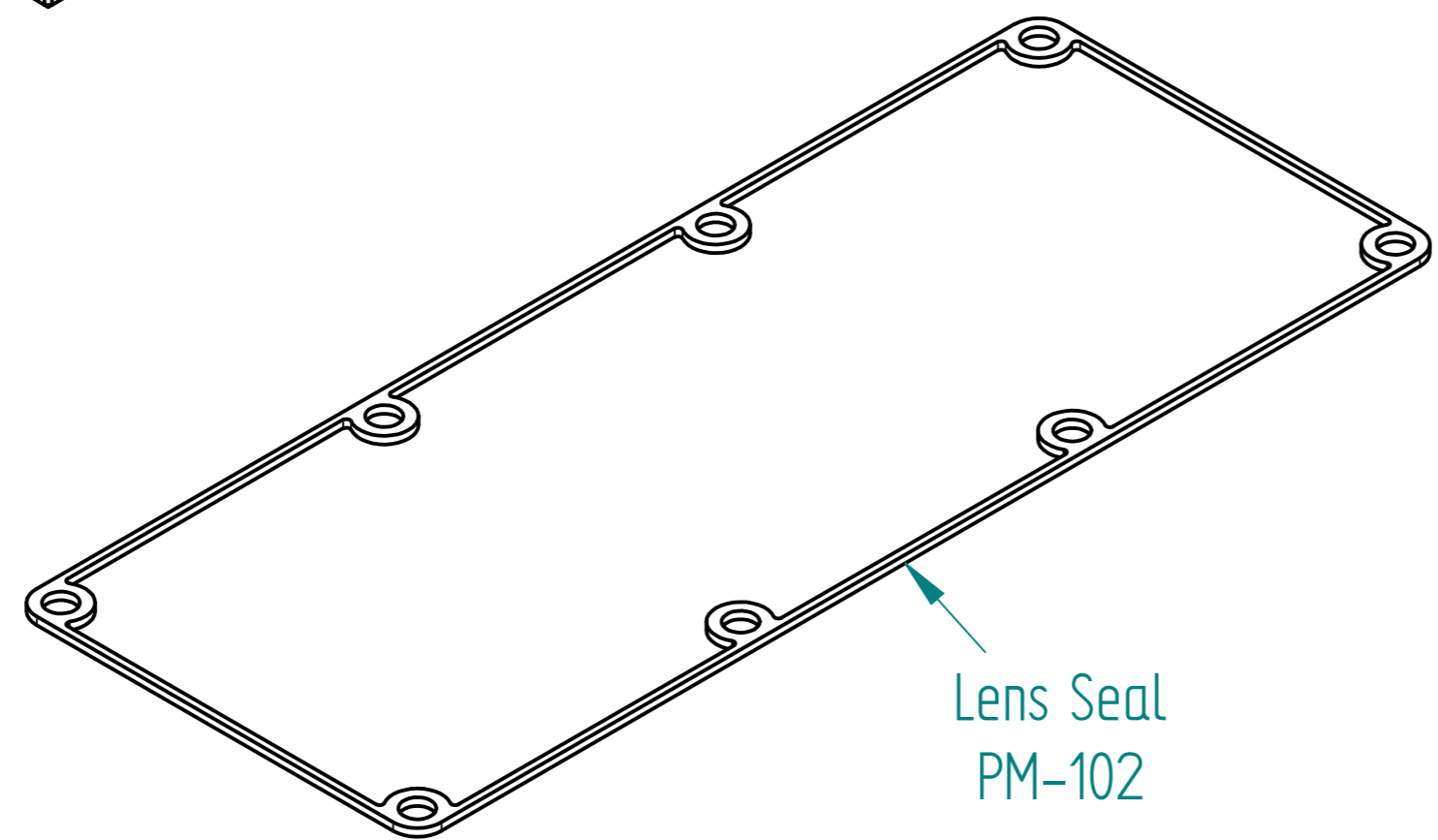
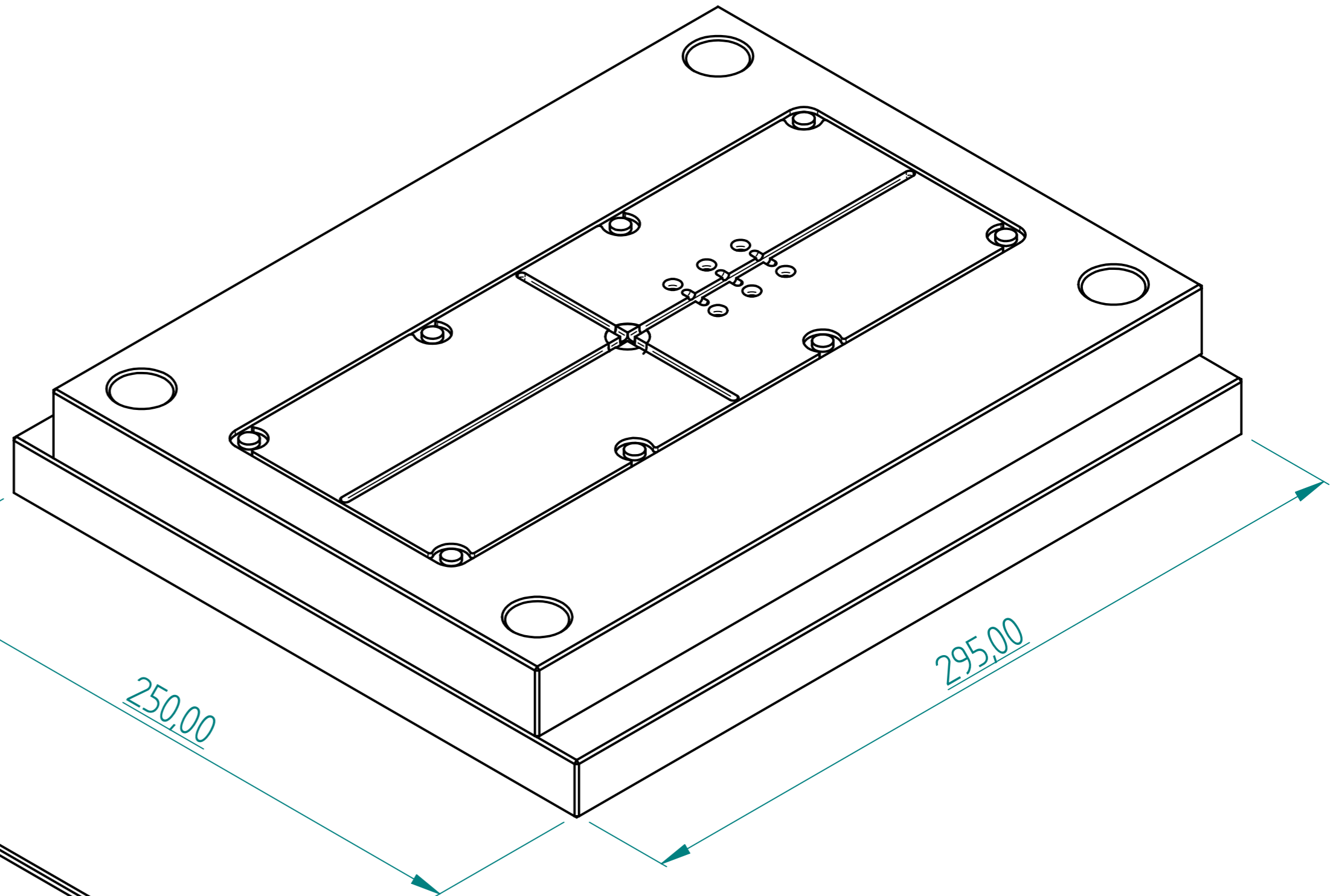
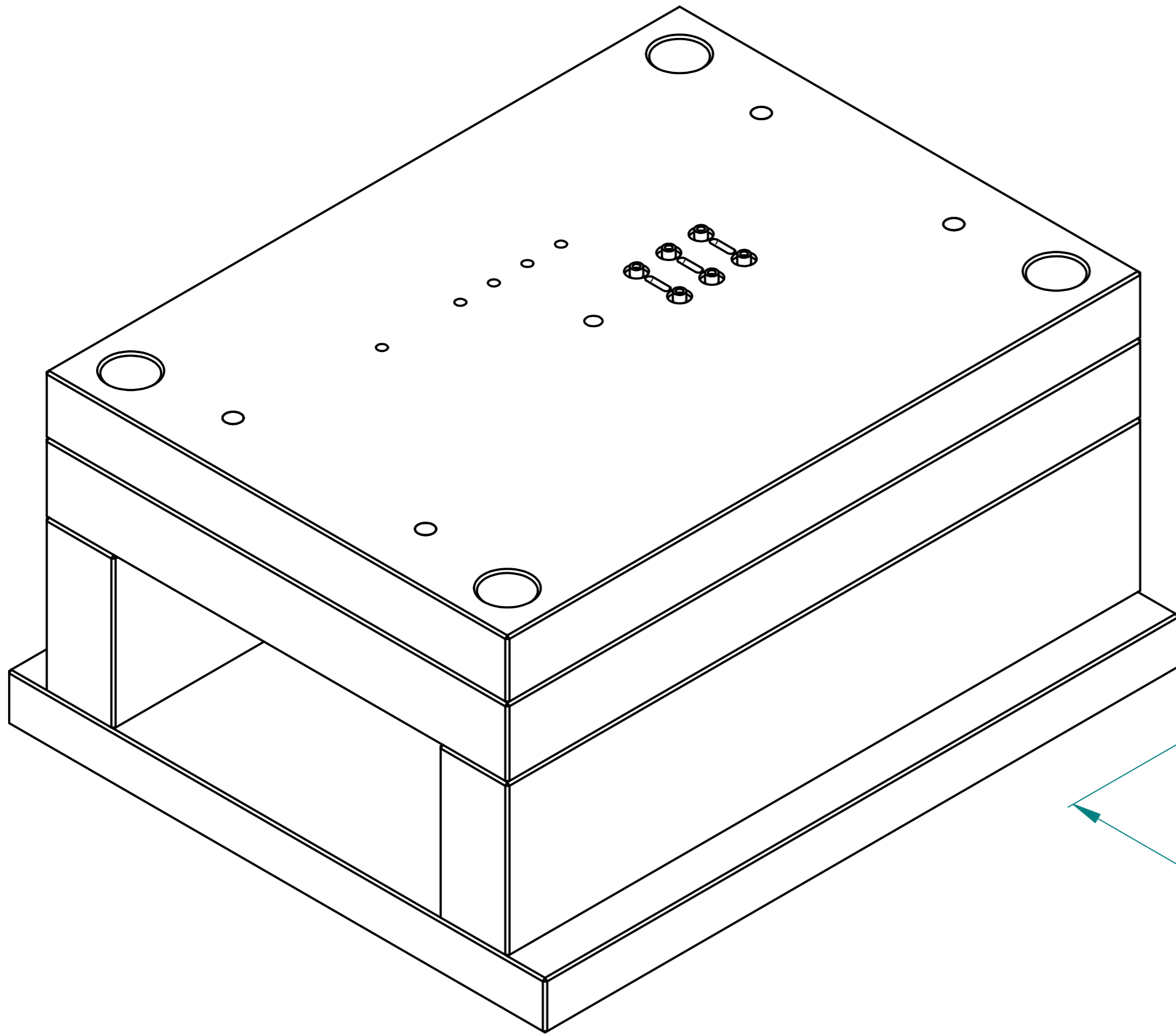
Lens Insert
PM-105



Lens
PM-103

| | | | | | |
|---|------|----------|------------------------------------|---------------|-----|
| DRAWN | NAME | DATE | AGRIGEL | | |
| APPROVED | Dan | 08/10/10 | | | |
| MATERIAL | | | | | |
| TREATMENT | | | | | |
| UNLESS OTHERWISE SPECIFIED DIMENSIONS ARE IN MILLIMETERS | | | SIZE | DWG NO | REV |
| 1st ANGLE ANGLES ±0.1° | | | A4 | | |
| 2 PL ±0.02 3 PL ±0.005 | | | FILE NAME: Dave Impeller Parts.dft | | |
| SCALE: | | WEIGHT: | | SHEET 5 OF 16 | |

| REVISION HISTORY | | | |
|------------------|-------------|------|----------|
| REV | DESCRIPTION | DATE | APPROVED |
| | | | |

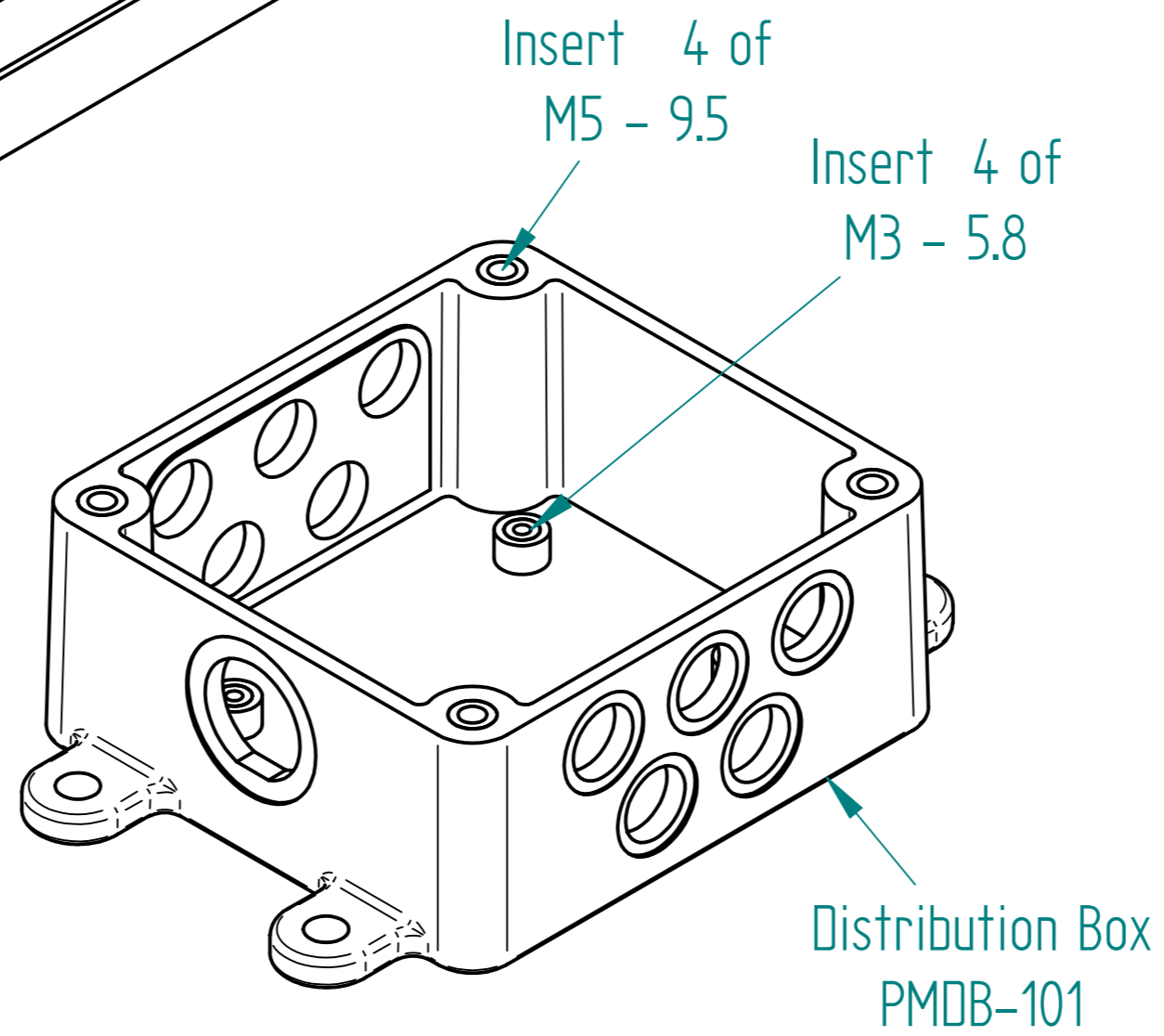
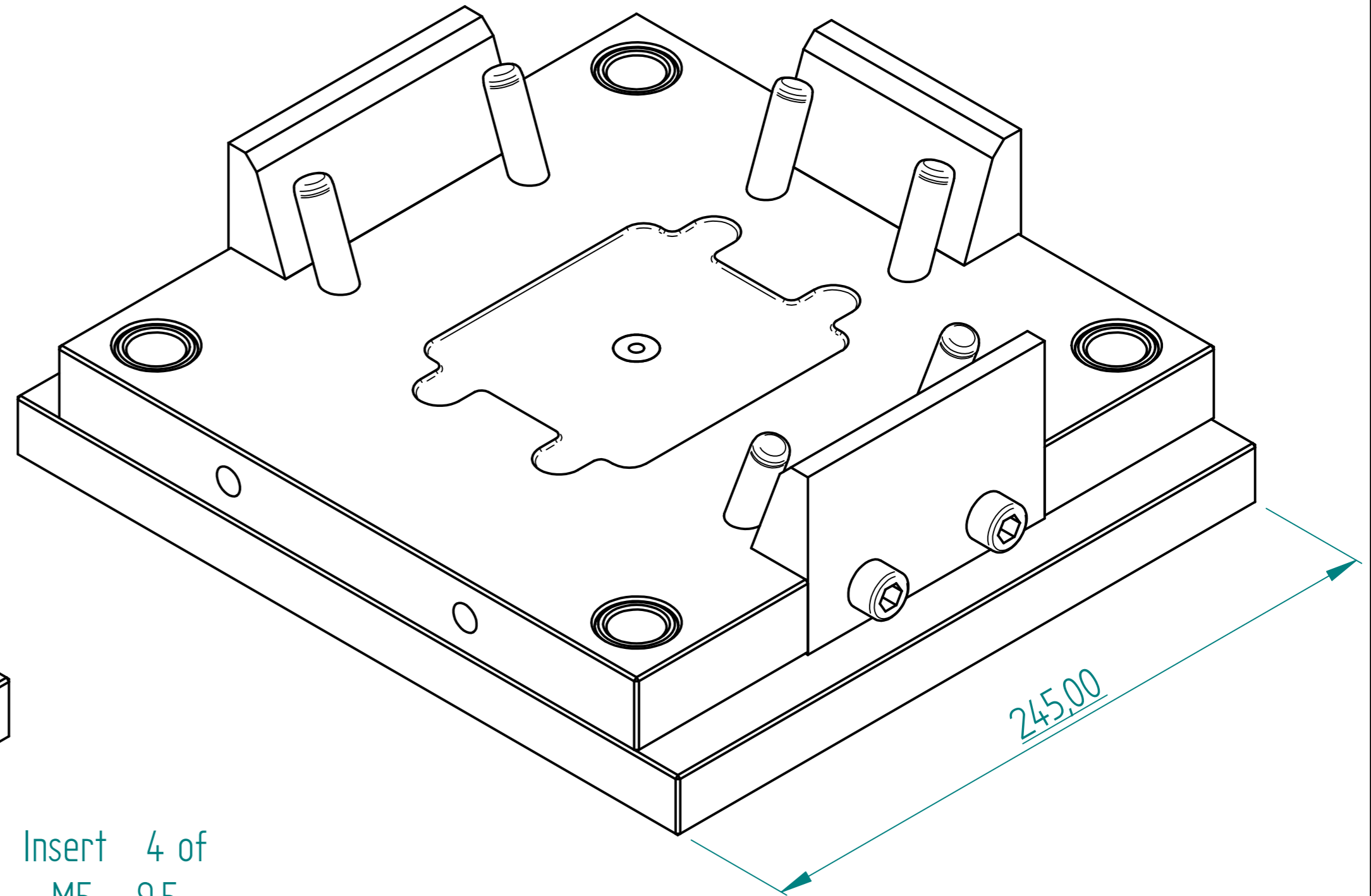
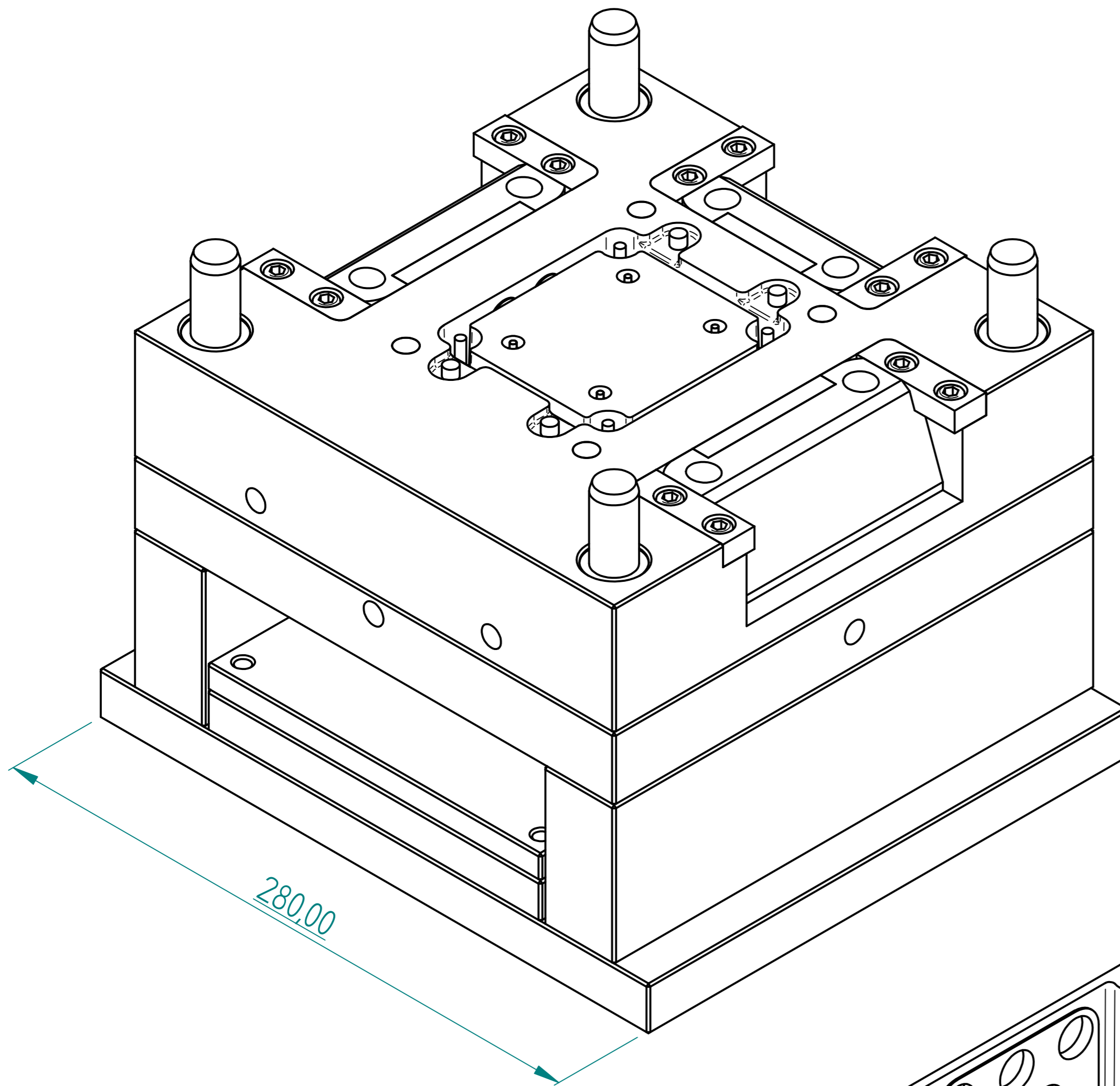


Lens Seal
PM-102

Push Button
PM-106

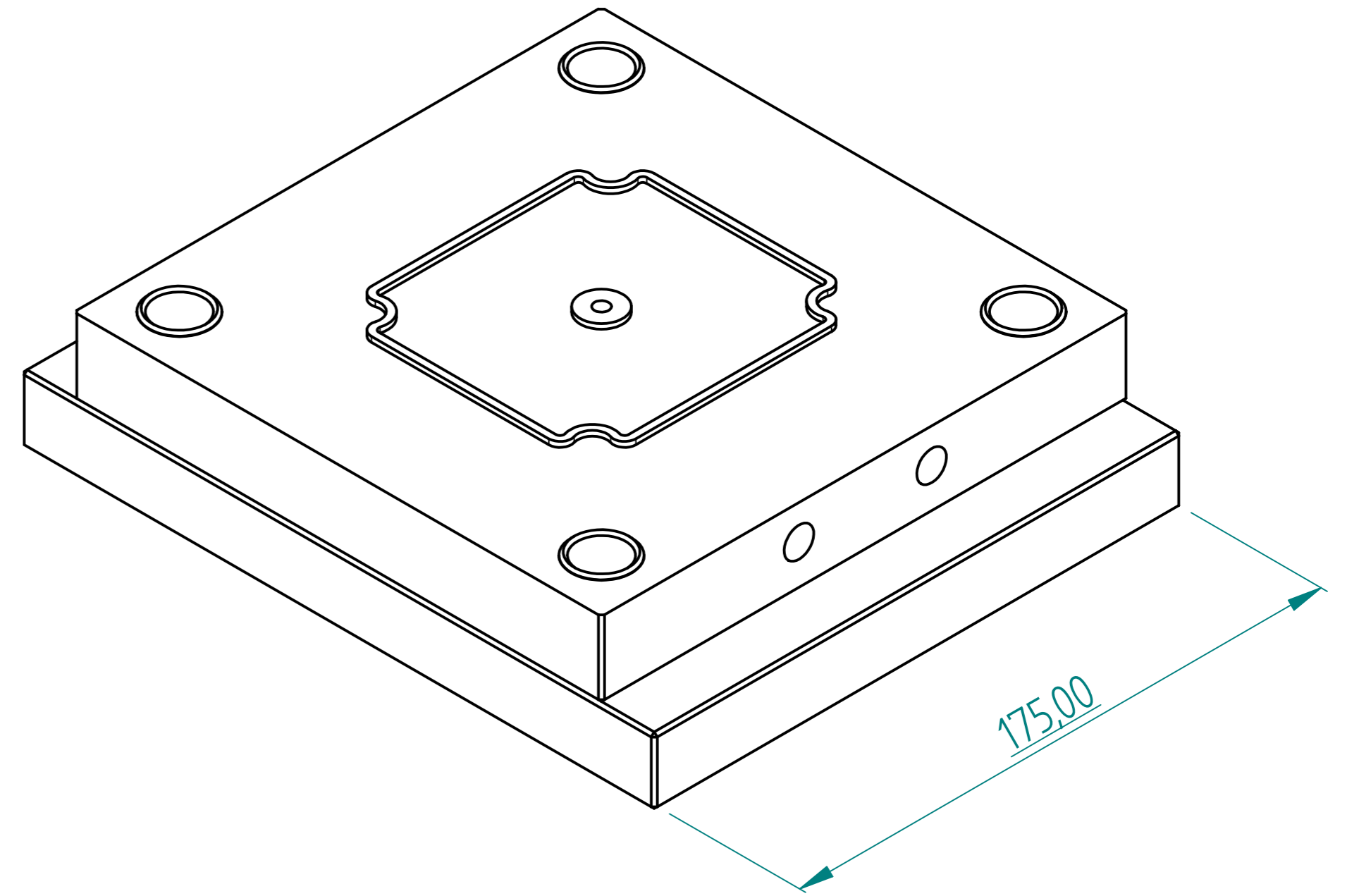
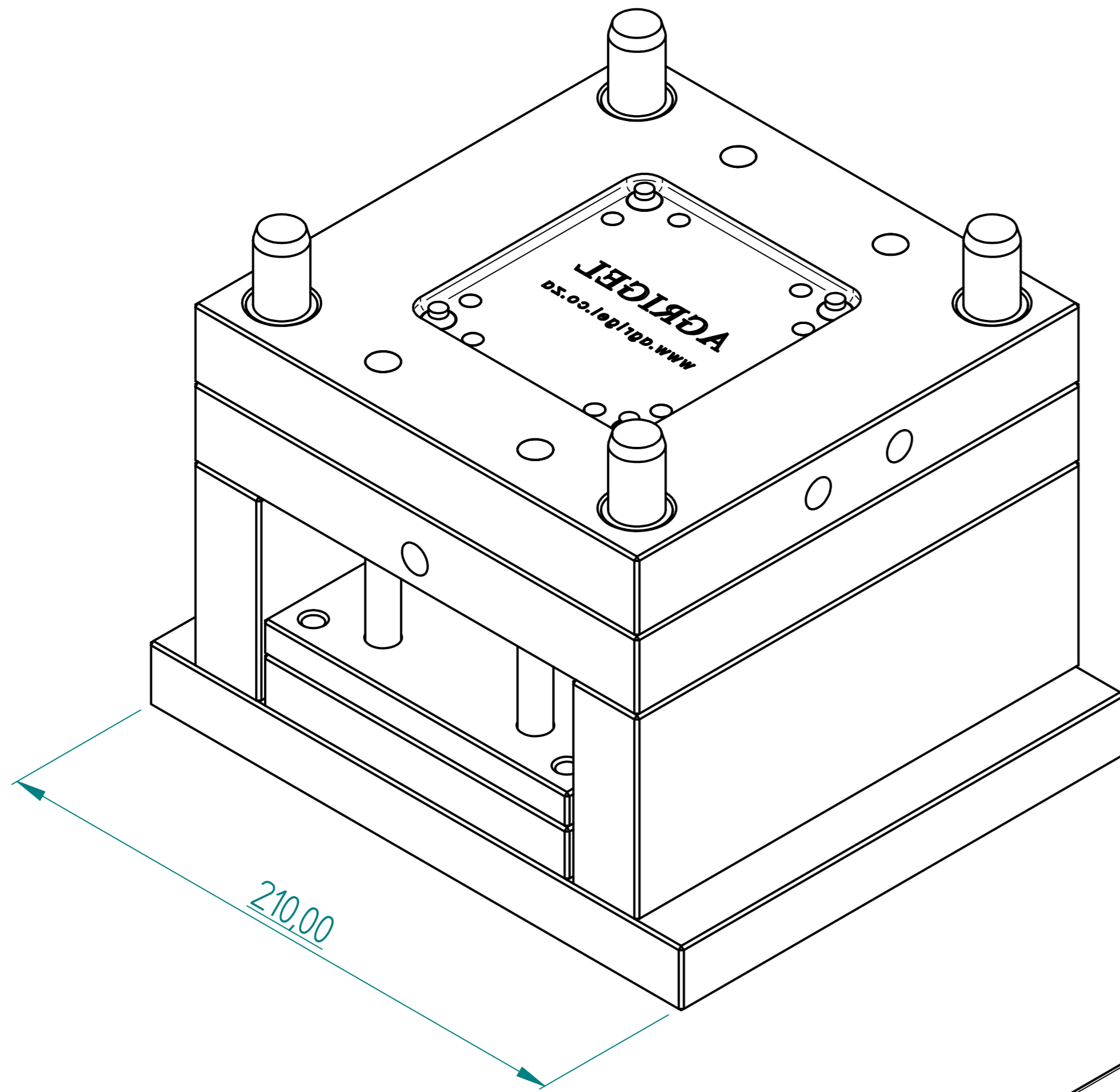
| | | | | |
|---|------|----------|------------------------------------|---------------|
| | NAME | DATE | AGRIGEL | |
| DRAWN | Dan | 08/10/10 | | |
| APPROVED | | | TITLE | |
| MATERIAL | | | SIZE | DWG NO |
| TREATMENT | | | A4 | |
| UNLESS OTHERWISE SPECIFIED DIMENSIONS ARE IN MILLIMETERS | | | FILE NAME: Dave Impeller Parts.dft | REV |
| 1st ANGLE ANGLES ±0.1° | | | SCALE: | WEIGHT: |
| 2 PL ±0.02 3 PL ±0.005 | | | | SHEET 6 OF 16 |

| REVISION HISTORY | | | |
|------------------|-------------|------|----------|
| REV | DESCRIPTION | DATE | APPROVED |
| | | | |



| | | | | |
|---|-------------|----------|------------------------------------|---------------|
| | NAME | DATE | AGRIGEL | |
| DRAWN | Dan | 08/10/10 | | |
| APPROVED | | | TITLE | |
| MATERIAL | | | SIZE | DWG NO |
| TREATMENT | | | A4 | |
| UNLESS OTHERWISE SPECIFIED DIMENSIONS ARE IN MILLIMETERS | | | 1st ANGLE | REV |
| ANGLES ±0.1° | | | FILE NAME: Dave Impeller Parts.dft | |
| 2 PL ±0.02 | 3 PL ±0.005 | SCALE: | WEIGHT: | SHEET 7 OF 16 |

| REVISION HISTORY | | | |
|------------------|-------------|------|----------|
| REV | DESCRIPTION | DATE | APPROVED |
| | | | |

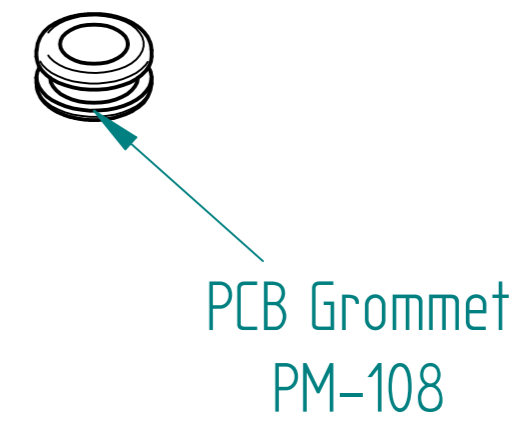
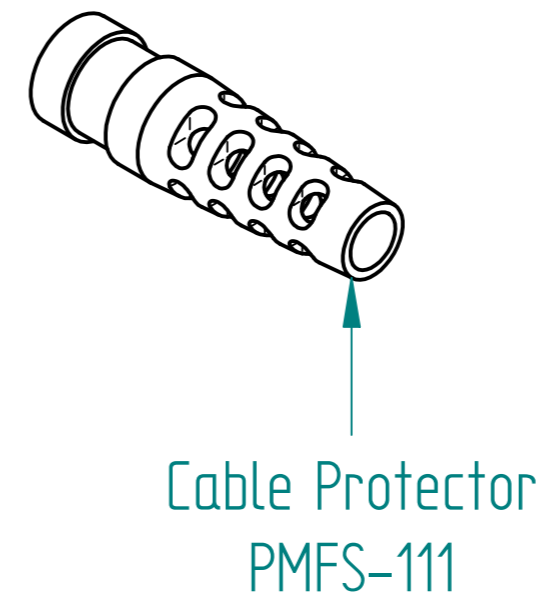
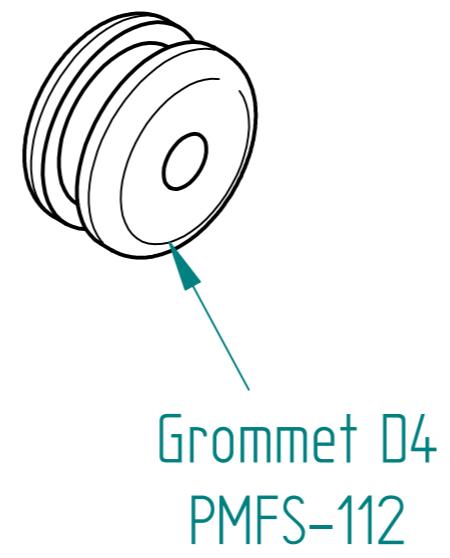
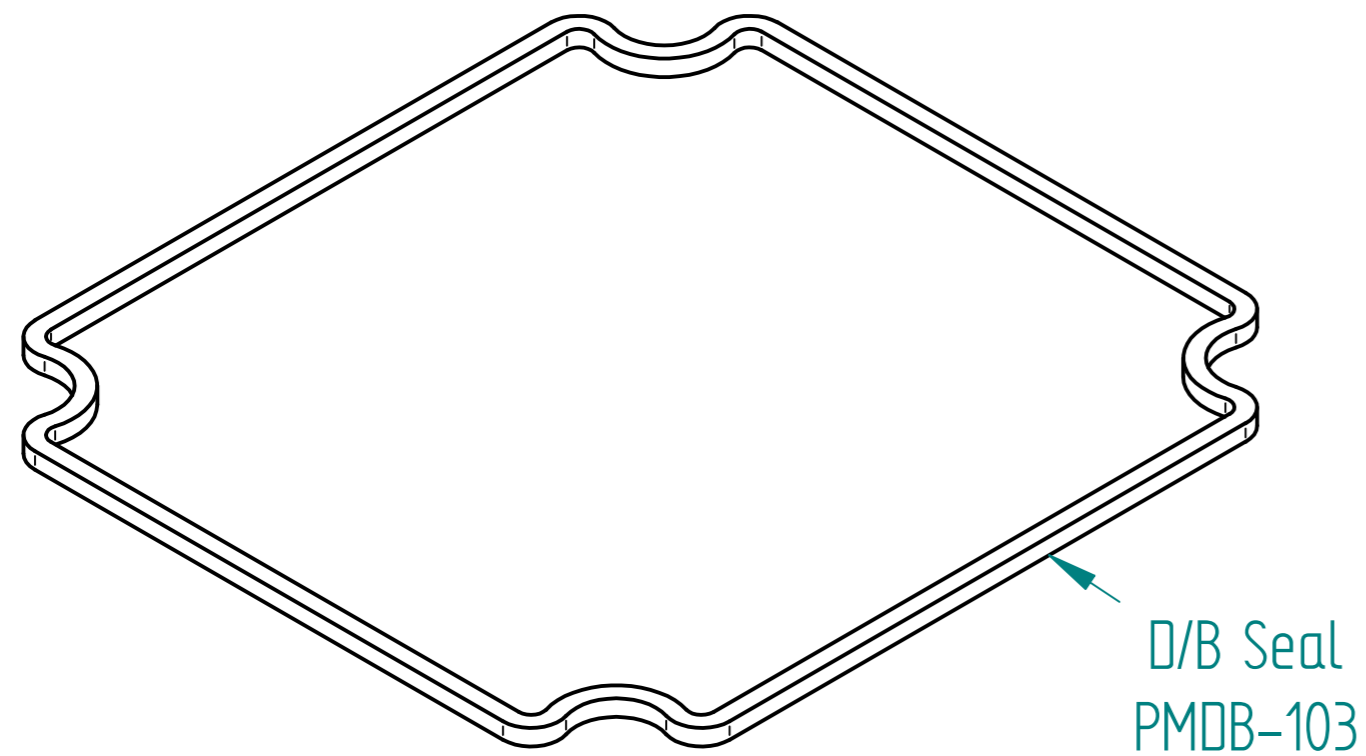
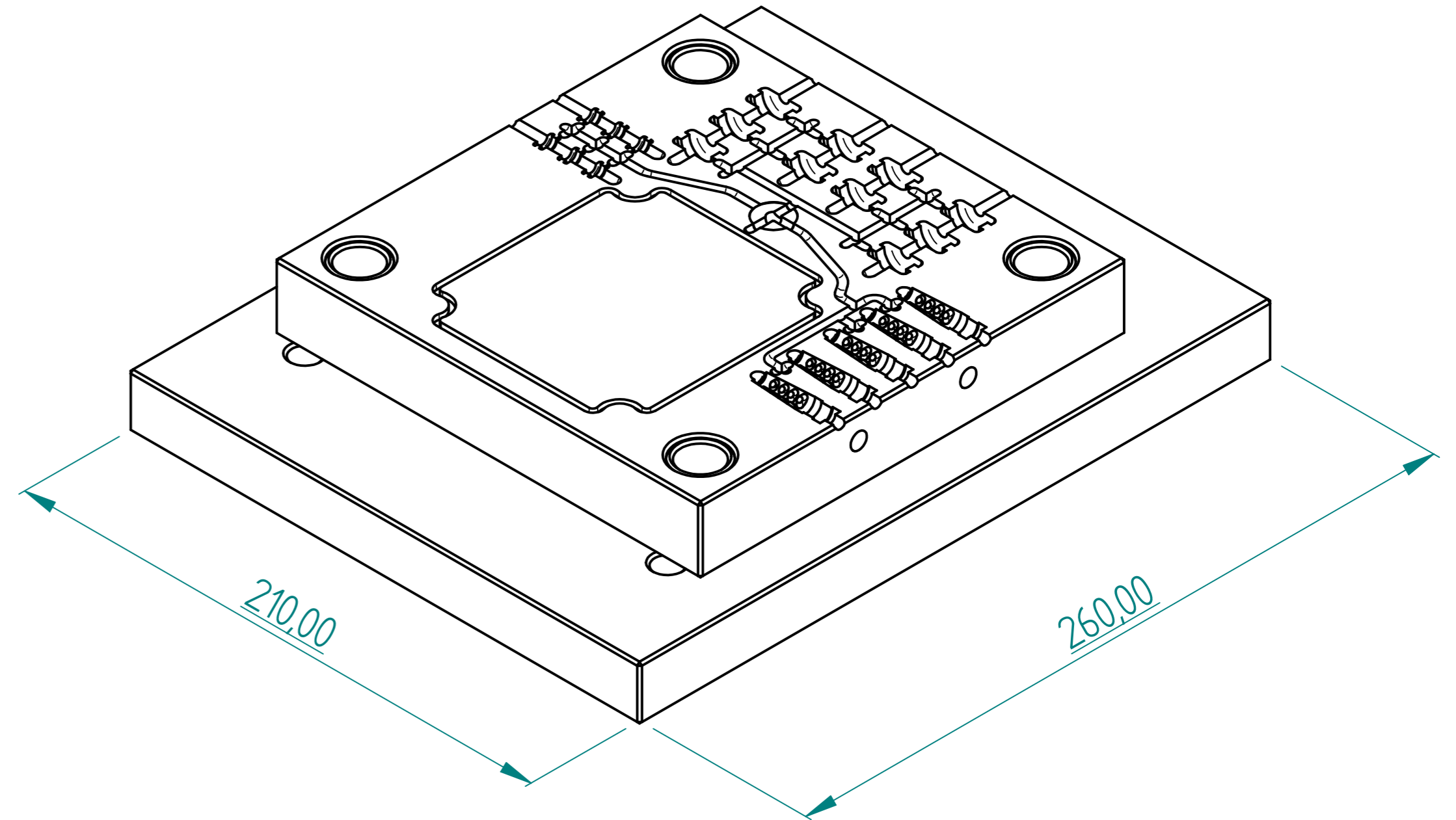
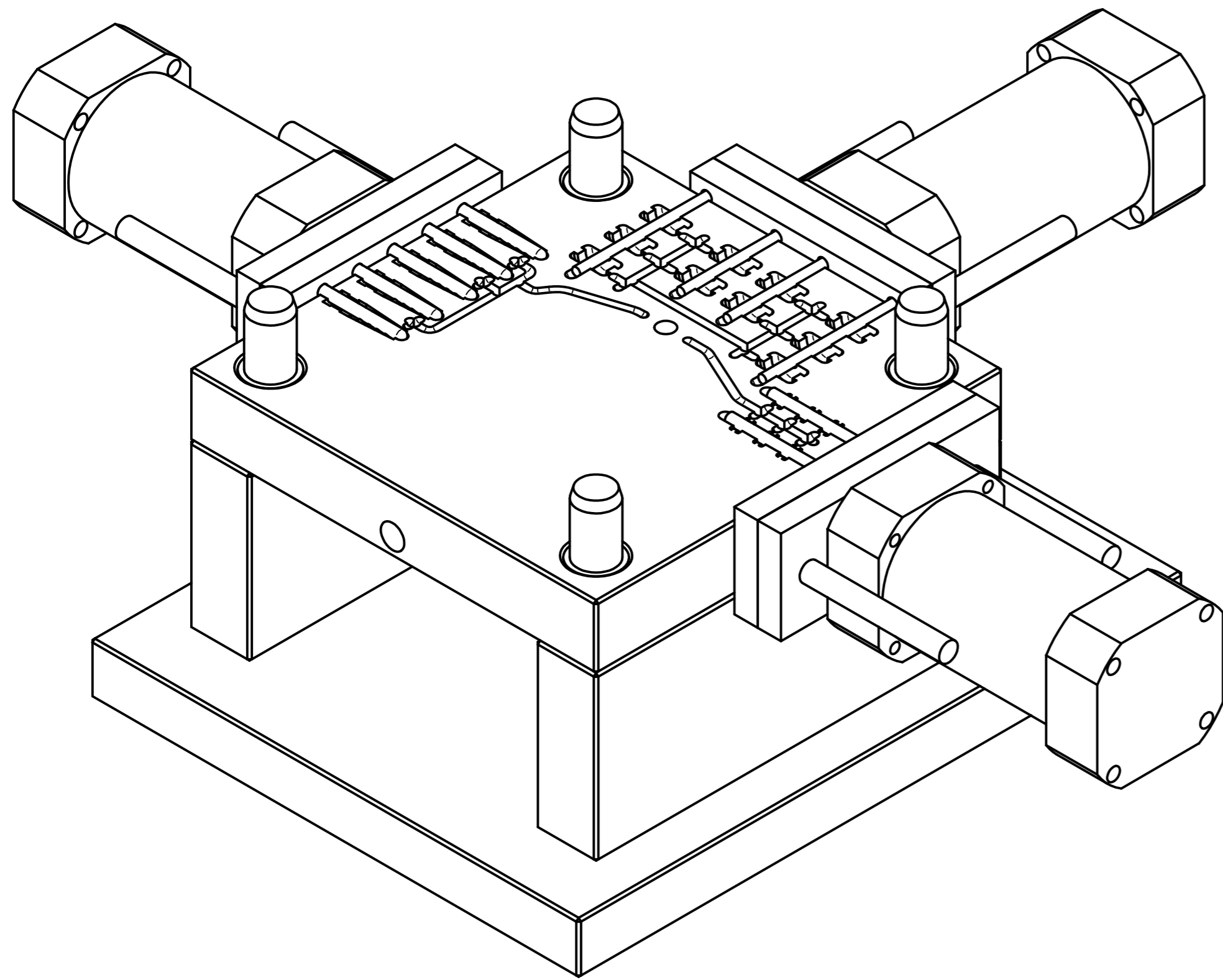


D/B Lid
PMDB-102

| | | | | | |
|-----------|------|----------|---|---------|---------------|
| | NAME | DATE | AGRIGEL | | |
| DRAWN | Dan | 08/10/10 | | | |
| APPROVED | | | TITLE | | |
| MATERIAL | | | | | |
| TREATMENT | | | UNLESS OTHERWISE SPECIFIED DIMENSIONS ARE IN MILLIMETERS | | |
| | | | | | |
| | | | SIZE A4 | DWG NO | REV |
| | | | FILE NAME: Dave Impeller Parts.dft | | |
| | | | SCALE: | WEIGHT: | SHEET 8 OF 16 |

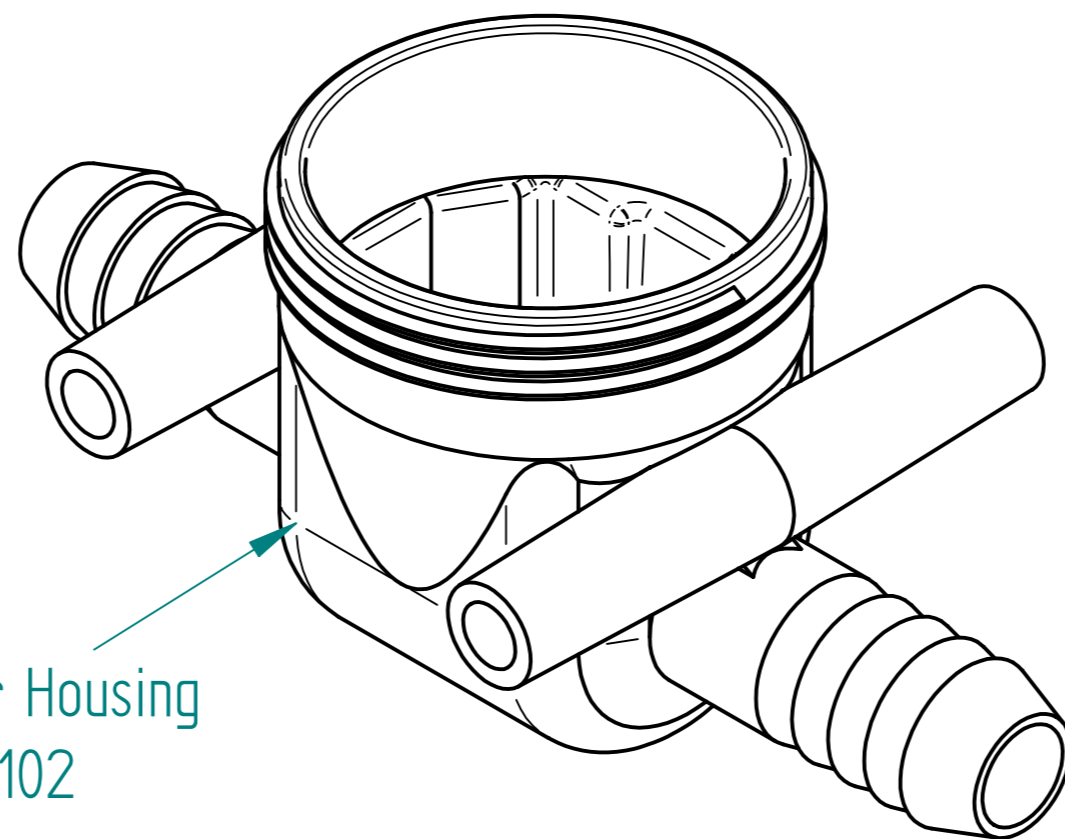
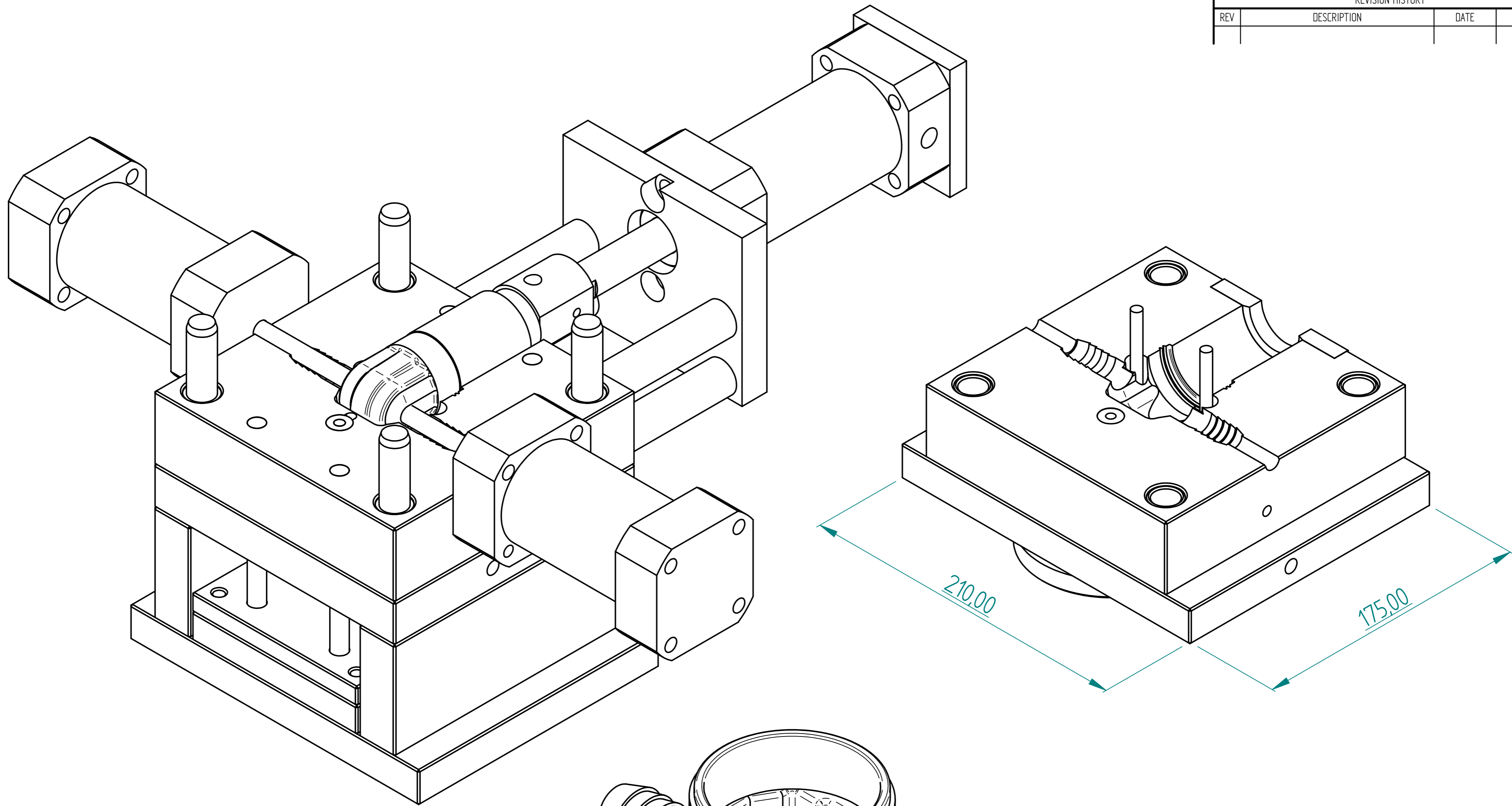
1st ANGLE
UNLESS OTHERWISE SPECIFIED
DIMENSIONS ARE IN MILLIMETERS
ANGLES ±0.1°
2 PL ±0.02 3 PL ±0.005

| REVISION HISTORY | | | |
|------------------|-------------|------|----------|
| REV | DESCRIPTION | DATE | APPROVED |
| | | | |



| | | | | |
|---|------|----------|------------------------------------|---------|
| | NAME | DATE | AGRIGEL | |
| DRAWN | Dan | 08/10/10 | | |
| APPROVED | | | | |
| MATERIAL | | | | |
| TREATMENT | | | TITLE | |
| UNLESS OTHERWISE SPECIFIED DIMENSIONS ARE IN MILLIMETERS | | | SIZE A4 | DWG NO |
| 1st ANGLE ANGLES ±0.1° | | | FILE NAME: Dave Impeller Parts.dft | |
| 2 PL ±0.02 3 PL ±0.005 | | | SCALE: | WEIGHT: |
| | | | SHEET 9 OF 16 | |

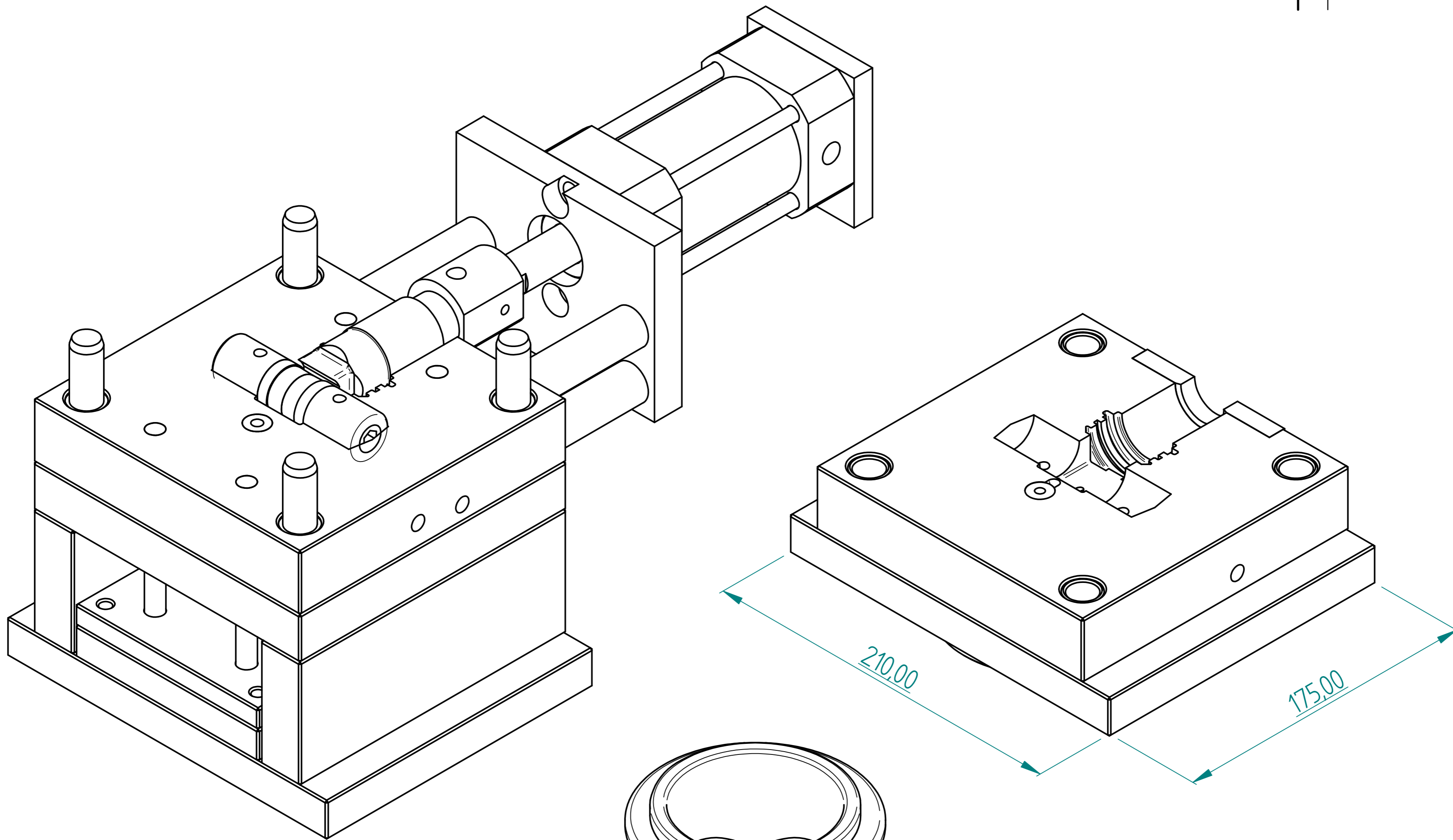
| REVISION HISTORY | | | |
|------------------|-------------|------|----------|
| REV | DESCRIPTION | DATE | APPROVED |
| | | | |



Flow Sensor Housing
PMFS-102

| | | | | |
|---|------|----------|------------------------------------|---------|
| | NAME | DATE | AGRIGEL | |
| DRAWN | Dan | 08/10/10 | | |
| APPROVED | | | | |
| MATERIAL | | | | |
| TREATMENT | | | TITLE | |
| UNLESS OTHERWISE SPECIFIED DIMENSIONS ARE IN MILLIMETERS | | | SIZE A4 | DWG NO |
| 1st ANGLE ANGLES ±0.1° | | | FILE NAME: Dave Impeller Parts.dft | |
| 2 PL ±0.02 3 PL ±0.005 | | | SCALE: | WEIGHT: |
| | | | SHEET 10 OF 16 | |

| REVISION HISTORY | | | |
|------------------|-------------|------|----------|
| REV | DESCRIPTION | DATE | APPROVED |
| | | | |

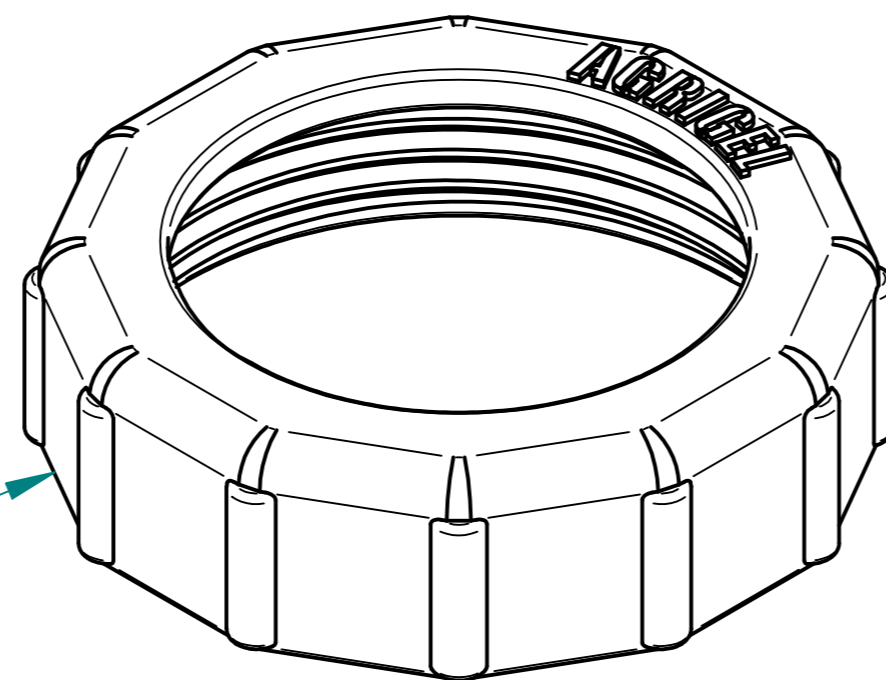
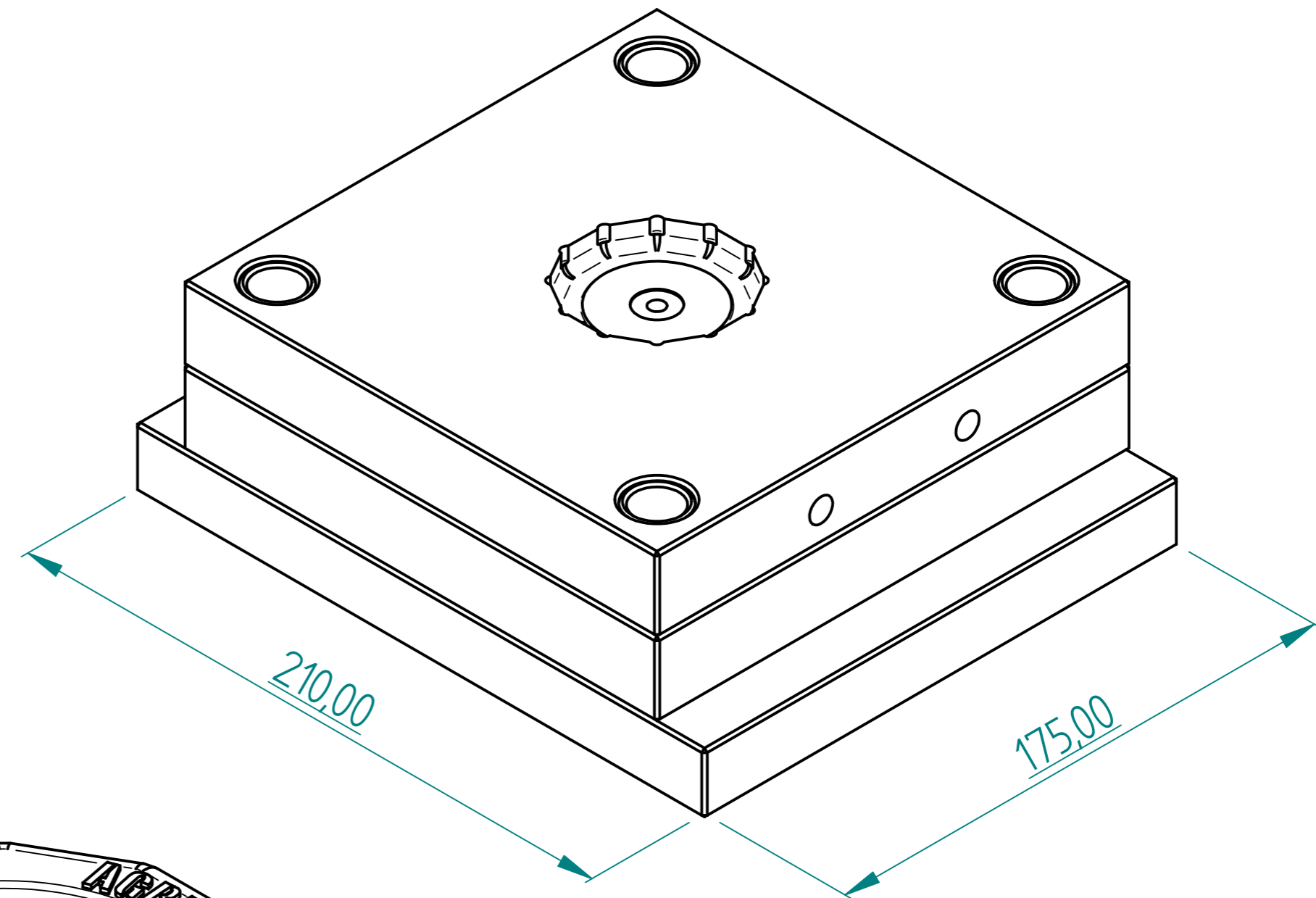
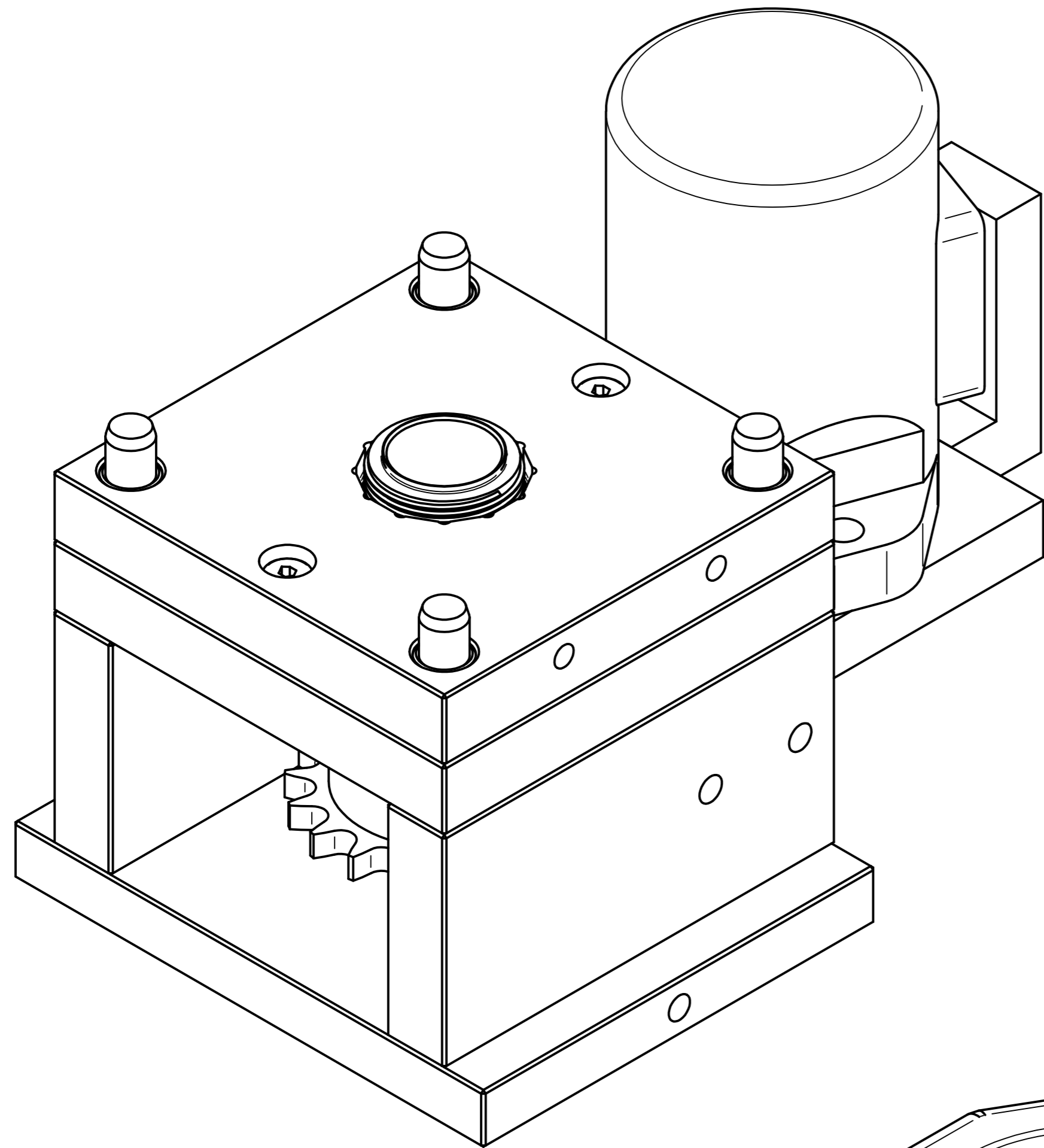


Flow Sensor Cartridge Housing
PMFS-104

| | | | | | |
|-----------|------|----------|---|---------|----------------|
| | NAME | DATE | AGRIGEL | | |
| DRAWN | Dan | 08/10/10 | | | |
| APPROVED | | | TITLE | | |
| MATERIAL | | | | | |
| TREATMENT | | | UNLESS OTHERWISE SPECIFIED DIMENSIONS ARE IN MILLIMETERS | | |
| | | | | | |
| | | | SIZE A4 | DWG NO | REV |
| | | | FILE NAME: Dave Impeller Parts.dft | | |
| | | | SCALE: | WEIGHT: | SHEET 11 OF 16 |

1st ANGLE
 2 PL ±0.02 3 PL ±0.005

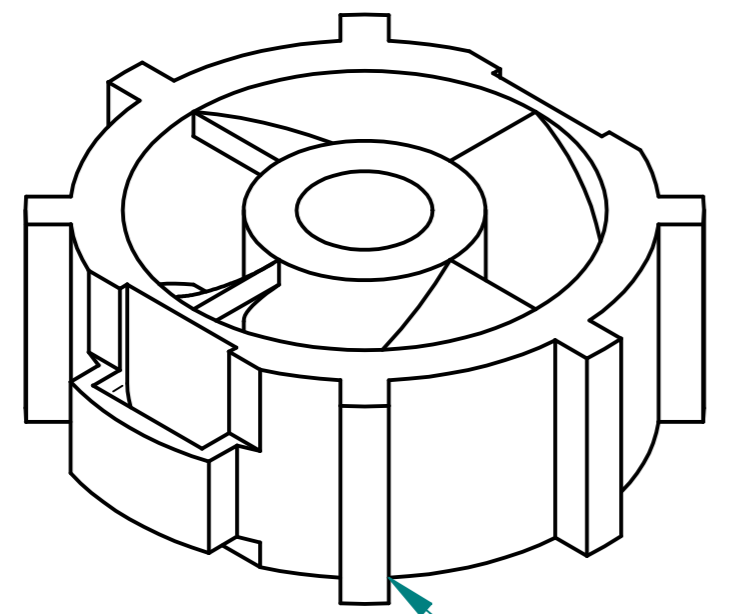
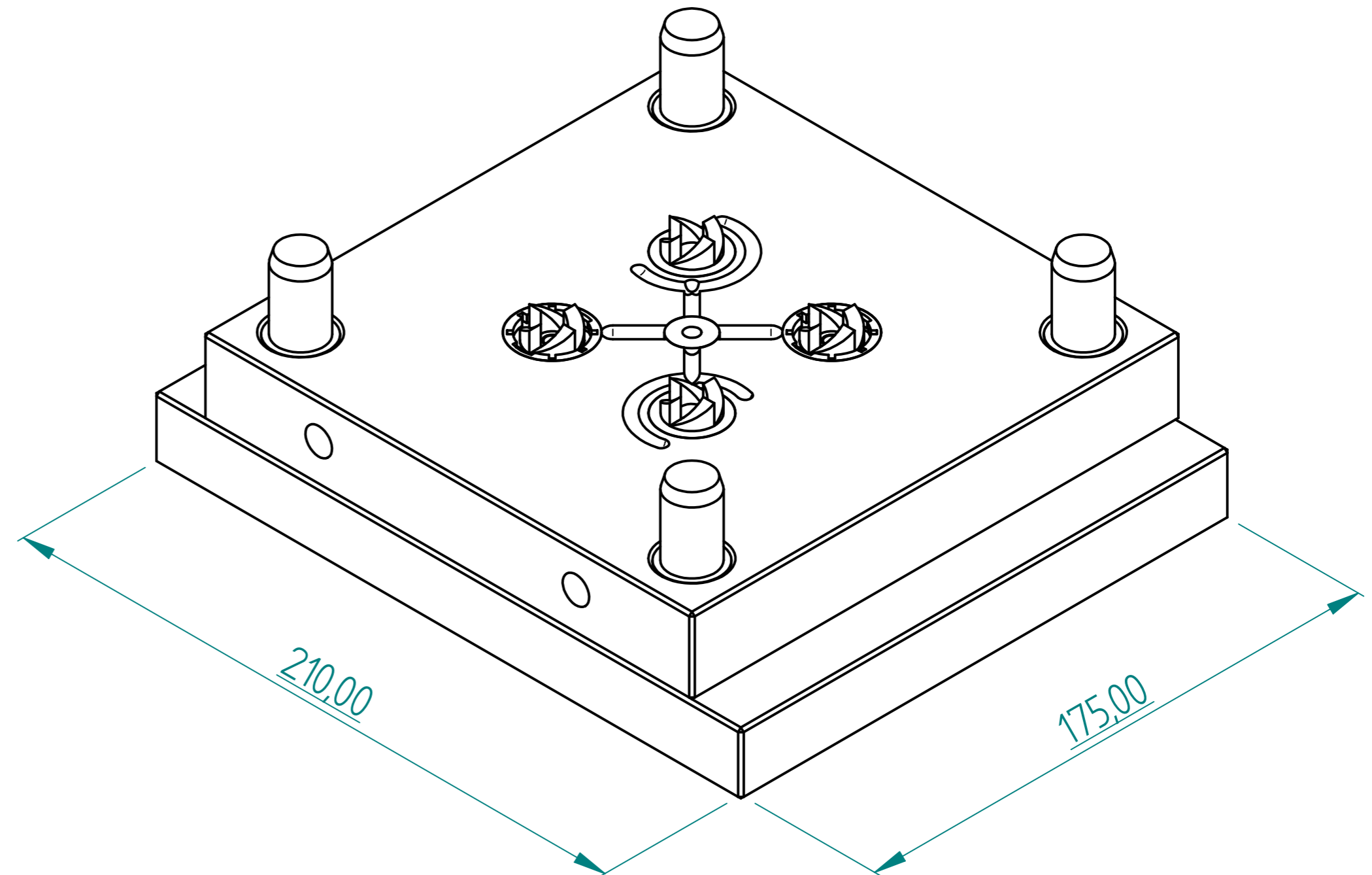
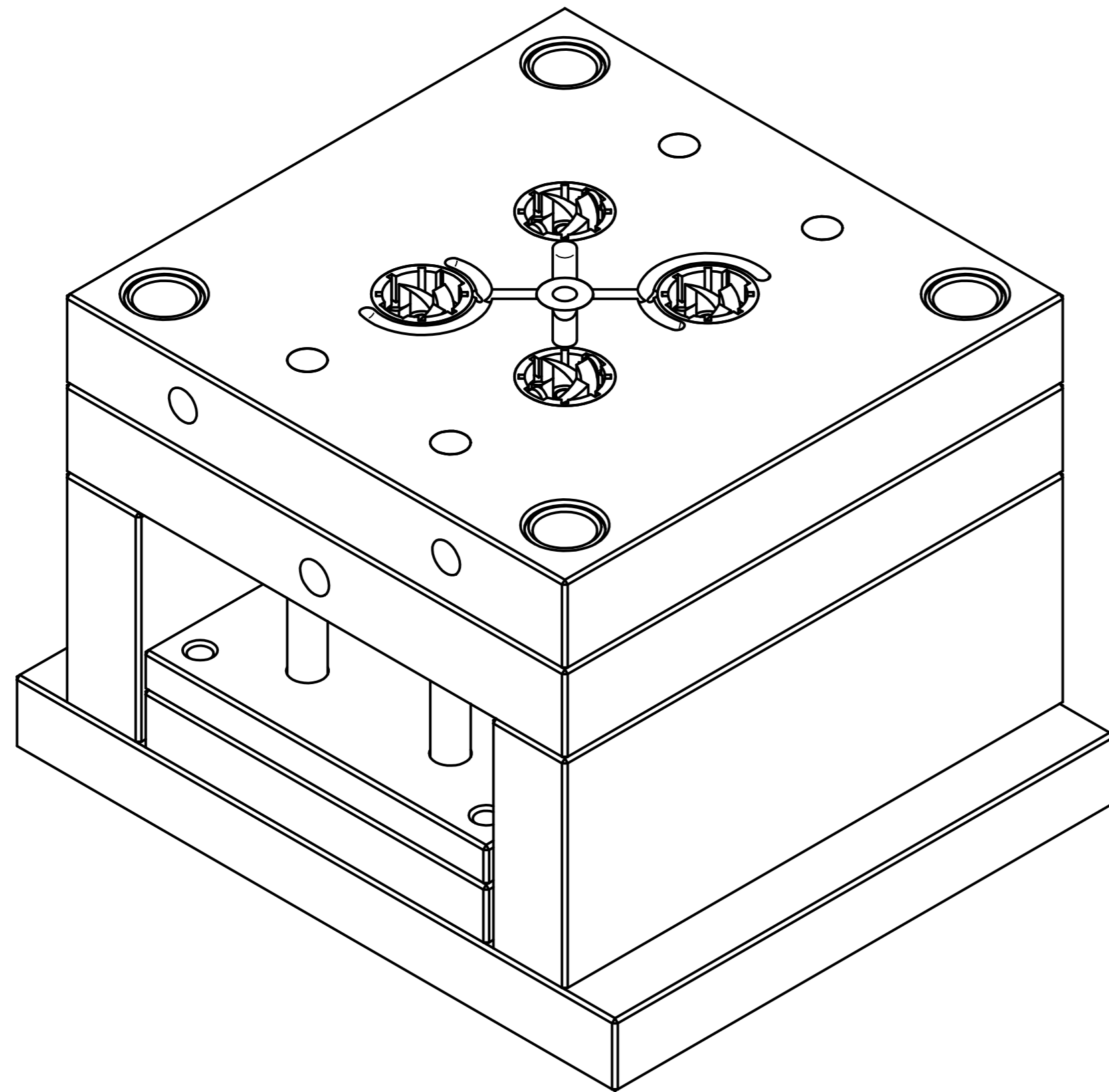
| REVISION HISTORY | | | |
|------------------|-------------|------|----------|
| REV | DESCRIPTION | DATE | APPROVED |
| | | | |



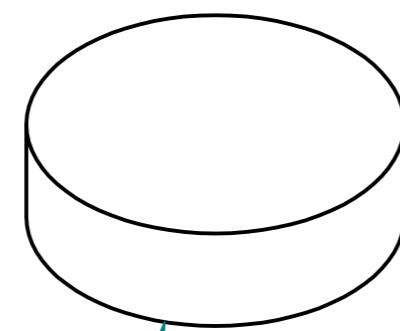
Flow Sensor Nut
PMFS-103

| | | | | |
|---|------|----------|------------------------------------|---------|
| | NAME | DATE | AGRIGEL | |
| DRAWN | Dan | 08/10/10 | | |
| APPROVED | | | | |
| MATERIAL | | | | |
| TREATMENT | | | TITLE | |
| UNLESS OTHERWISE SPECIFIED DIMENSIONS ARE IN MILLIMETERS | | | SIZE A4 | DWG NO |
| 1st ANGLE ANGLES ±0.1° | | | FILE NAME: Dave Impeller Parts.dft | |
| 2 PL ±0.02 3 PL ±0.005 | | | SCALE: | WEIGHT: |
| | | | SHEET 12 OF 16 | |

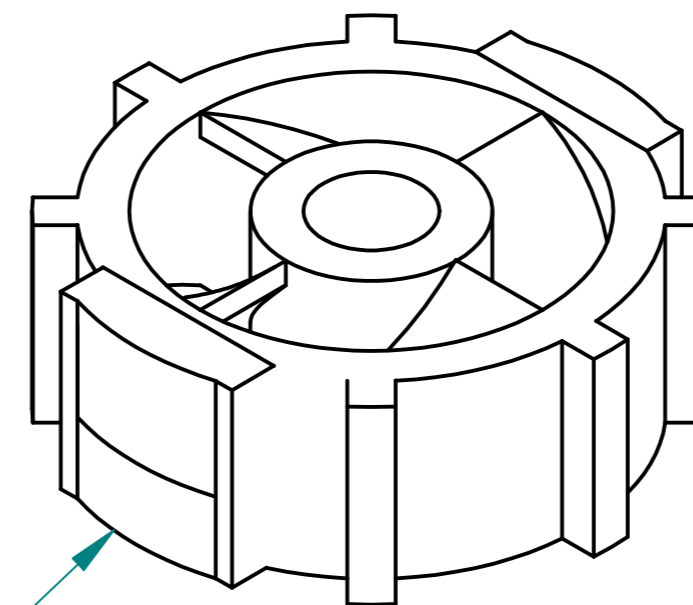
| REVISION HISTORY | | | |
|------------------|-------------|------|----------|
| REV | DESCRIPTION | DATE | APPROVED |
| | | | |



F/S Impeller
PMFS-109



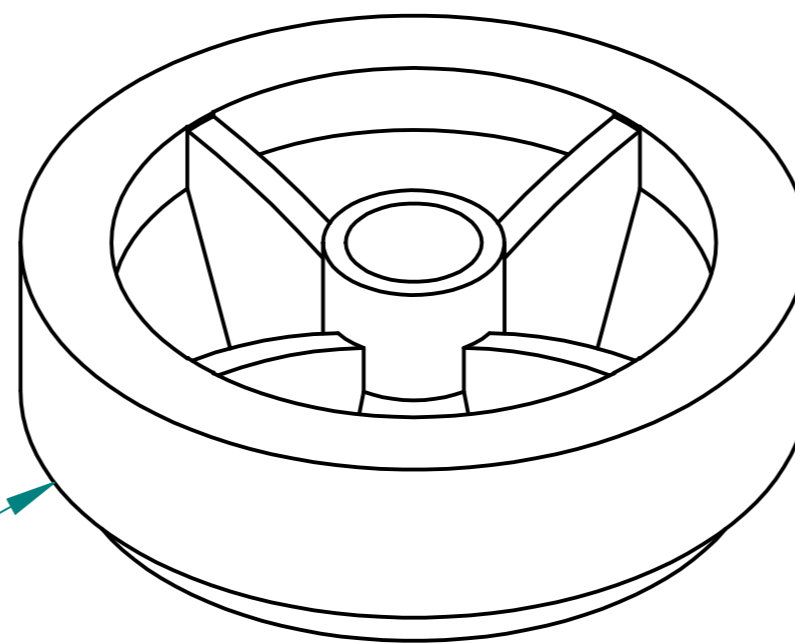
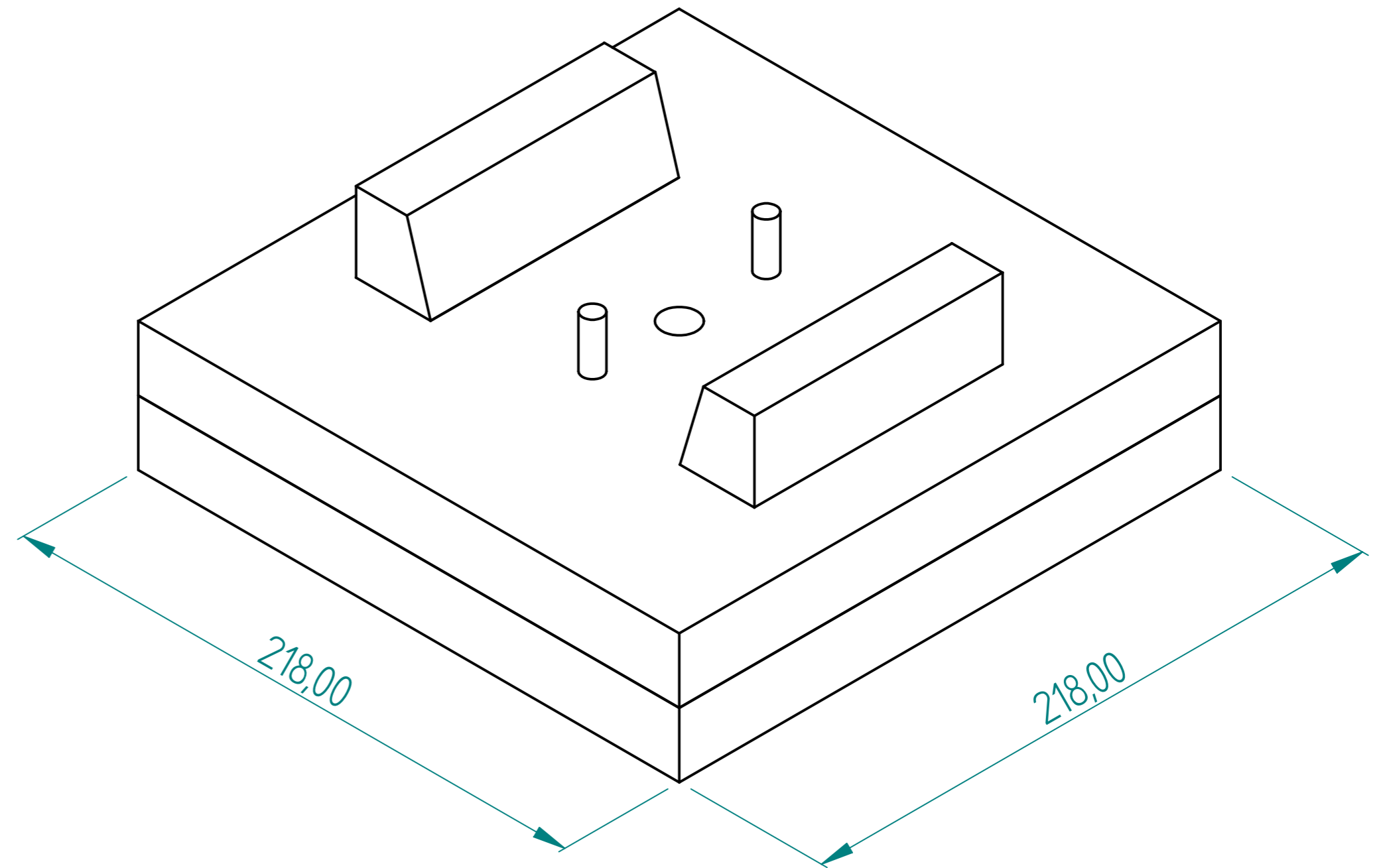
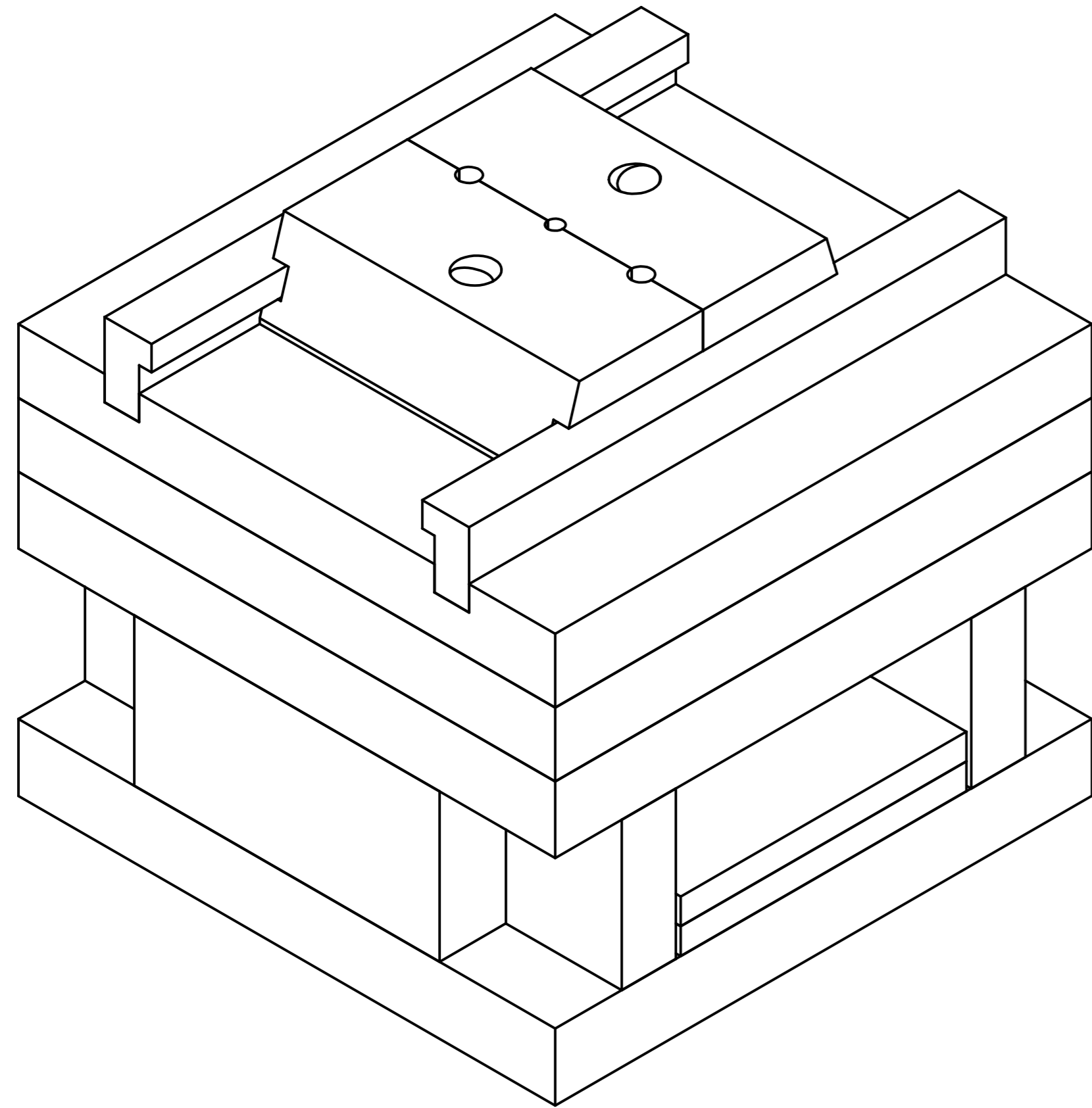
Magnet Dia 5-1.5
2 of



Impeller Overmould

| | | | | |
|---|------|----------|------------------------------------|---------|
| DRAWN | NAME | DATE | AGRIGEL | |
| APPROVED | Dan | 08/10/10 | TITLE | |
| MATERIAL | | | SIZE | DWG NO |
| TREATMENT | | | A4 | REV |
| UNLESS OTHERWISE SPECIFIED DIMENSIONS ARE IN MILLIMETERS | | | FILE NAME: Dave Impeller Parts.dft | |
| 1st ANGLE 2 PL ±0.02 3 PL ±0.005 | | | SCALE: | WEIGHT: |
| | | | SHEET 13 OF 16 | |

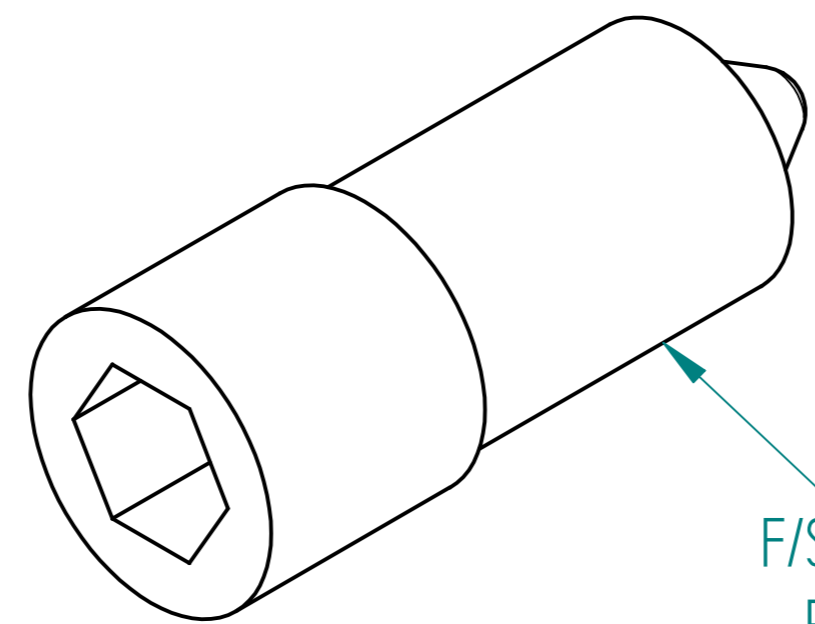
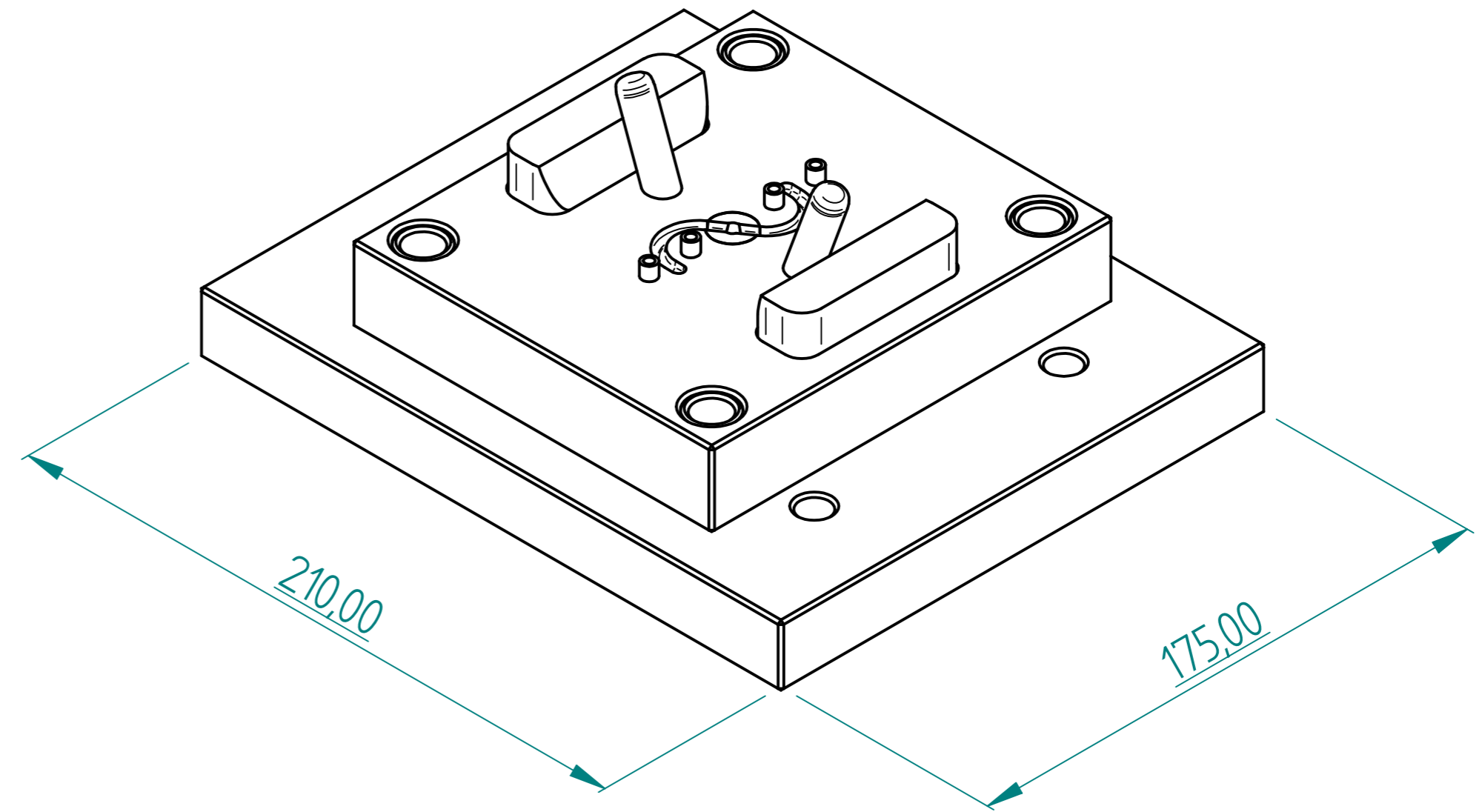
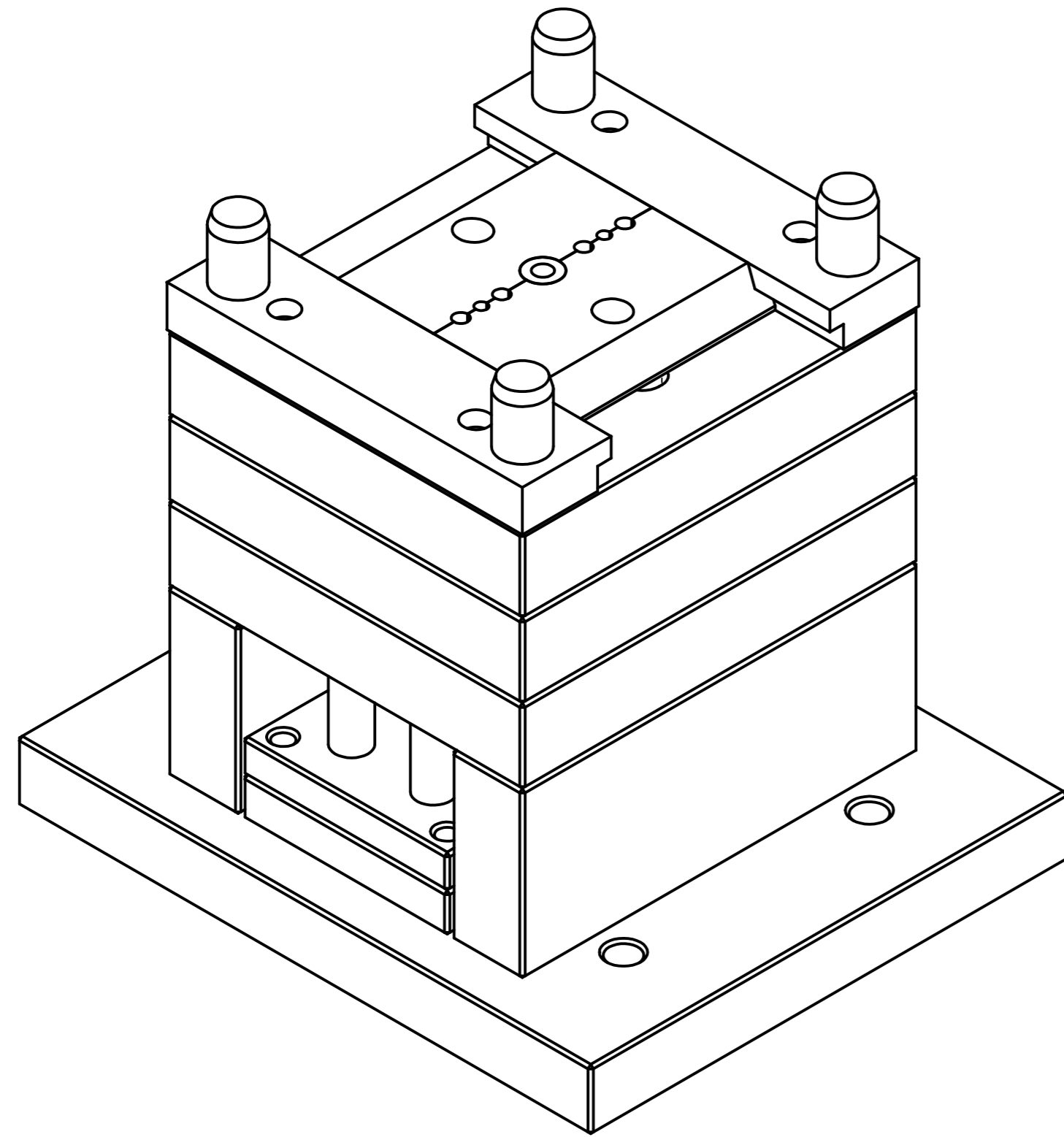
| REVISION HISTORY | | | |
|------------------|-------------|------|----------|
| REV | DESCRIPTION | DATE | APPROVED |
| | | | |



F/S Flow Guide
PMFS-105

| | | | | |
|---|------|----------|------------------------------------|---------|
| | NAME | DATE | AGRIGEL | |
| DRAWN | Dan | 08/10/10 | | |
| APPROVED | | | | |
| MATERIAL | | | | |
| TREATMENT | | | TITLE | |
| UNLESS OTHERWISE SPECIFIED DIMENSIONS ARE IN MILLIMETERS | | | SIZE A4 | DWG NO |
| 1 st ANGLE ANGLES ±0.1° | | | FILE NAME: Dave Impeller Parts.dft | |
| 2 PL ±0.02 3 PL ±0.005 | | | SCALE: | WEIGHT: |
| | | | SHEET 14 OF 16 | |

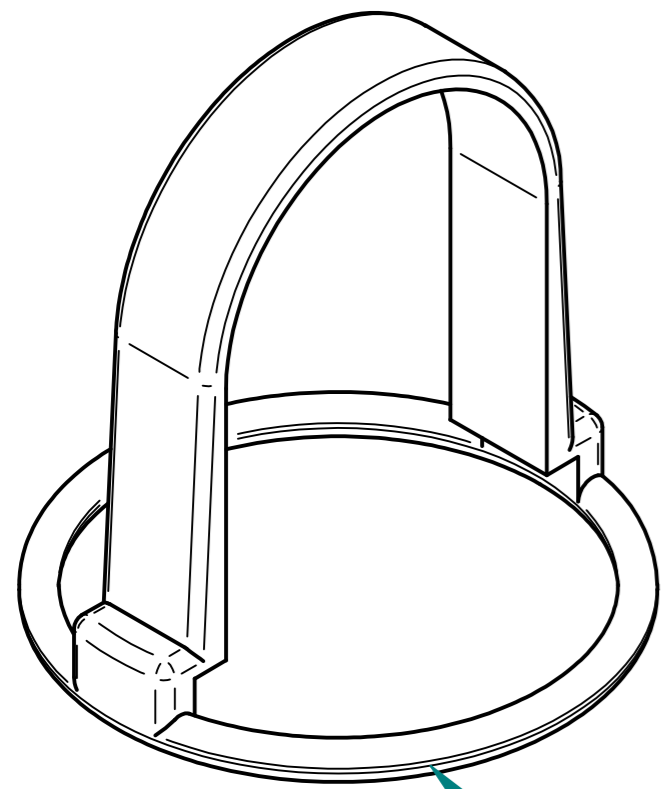
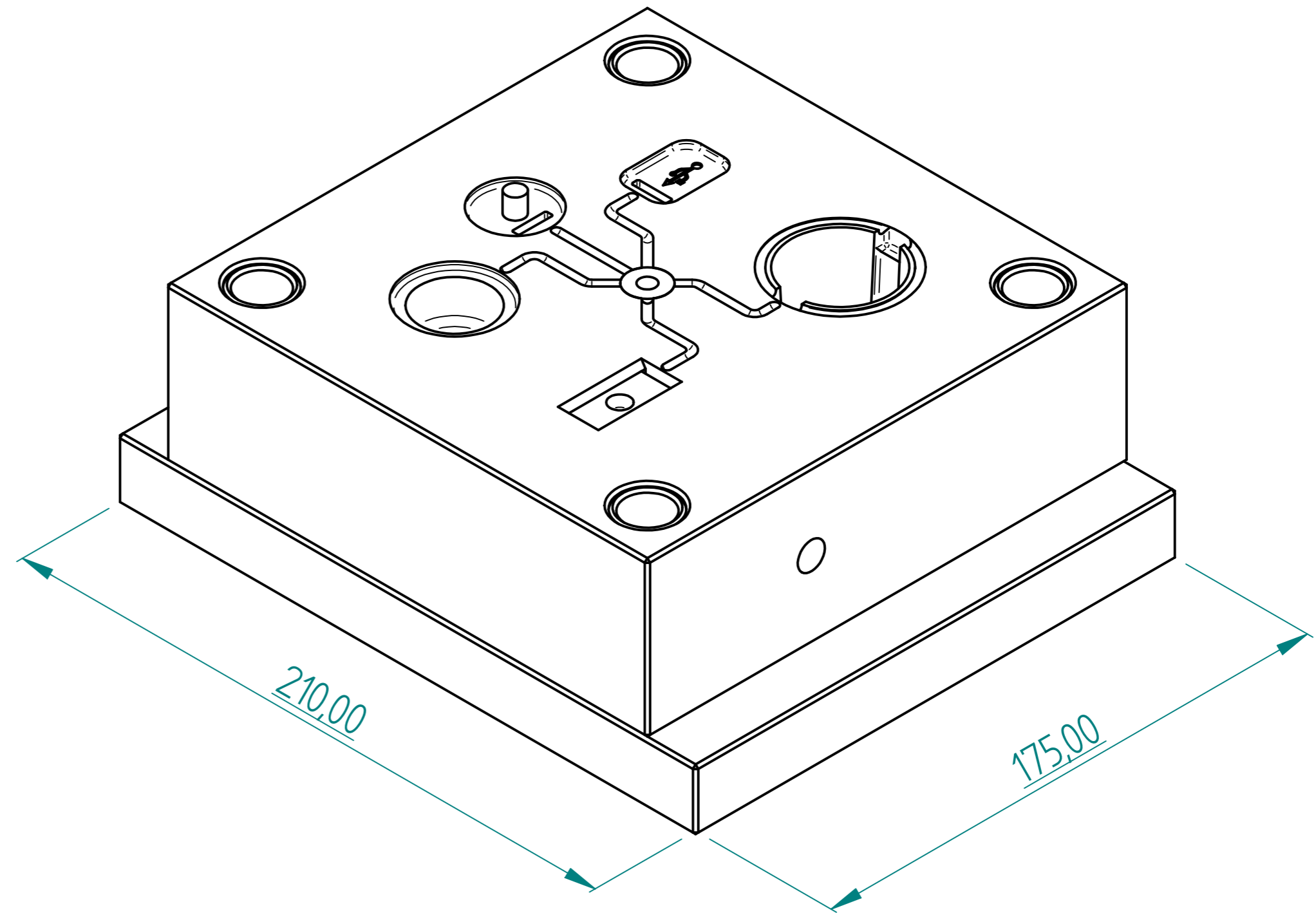
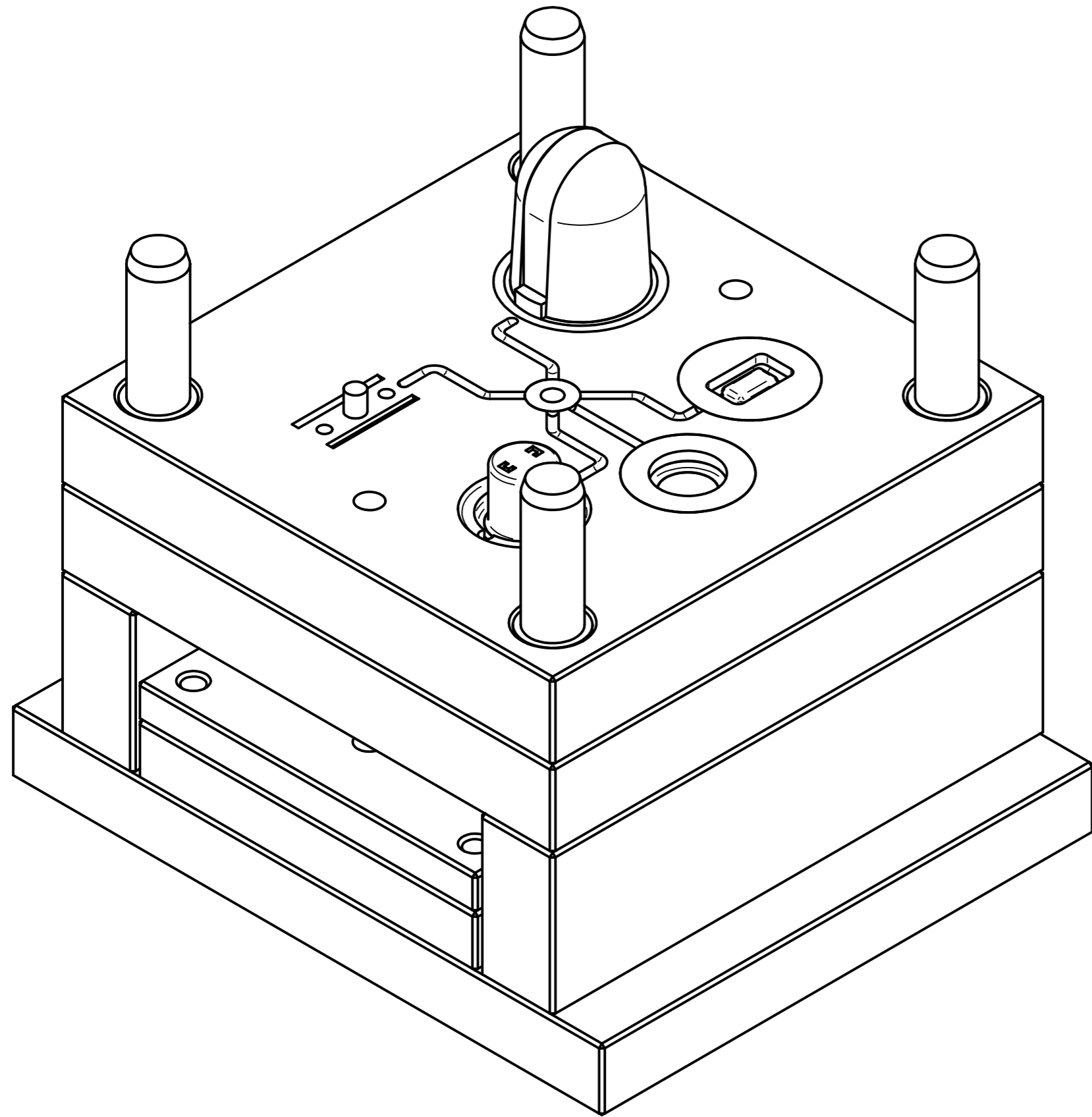
| REVISION HISTORY | | | |
|------------------|-------------|------|----------|
| REV | DESCRIPTION | DATE | APPROVED |
| | | | |



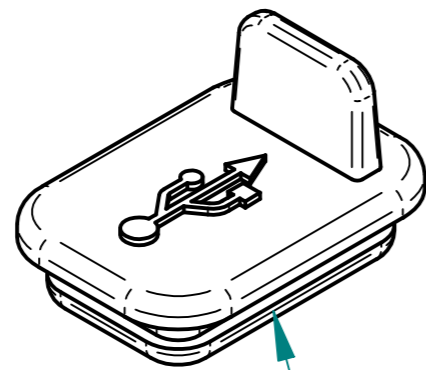
F/S Screw M4
PMFS-106

| | | | | |
|---|------|----------|------------------------------------|---------|
| | NAME | DATE | AGRIGEL | |
| DRAWN | Dan | 08/10/10 | | |
| APPROVED | | | | |
| MATERIAL | | | | |
| TREATMENT | | | TITLE | |
| UNLESS OTHERWISE SPECIFIED DIMENSIONS ARE IN MILLIMETERS | | | SIZE A4 | DWG NO |
| 1st ANGLE ANGLES ±0.1° | | | FILE NAME: Dave Impeller Parts.dft | REV |
| 2 PL ±0.02 3 PL ±0.005 | | | SCALE: | WEIGHT: |
| | | | SHEET 15 OF 16 | |

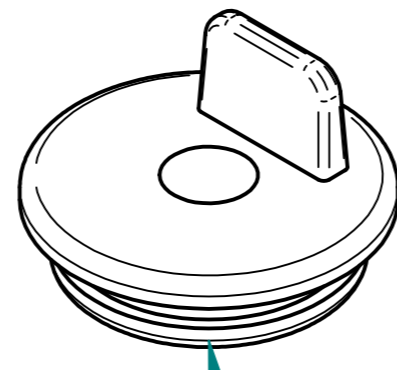
| REVISION HISTORY | | | |
|------------------|-------------|------|----------|
| REV | DESCRIPTION | DATE | APPROVED |
| | | | |



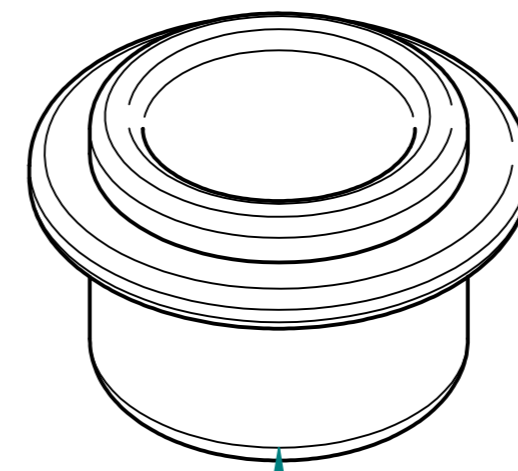
Seal
PMFS-107



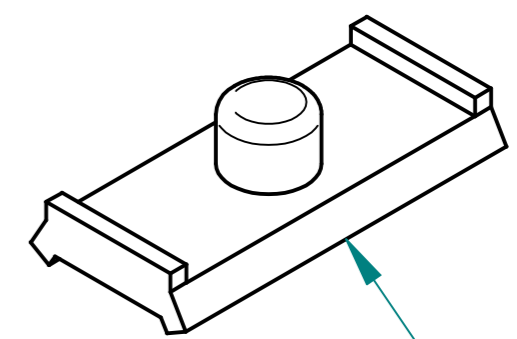
USB Grommet
PM-109



Grommet D6.5
PMDB-105



Shaft Sensor Housing
PMFS-131



Shaft Magnet Holder
PMFS-132

| | | | | |
|---|------|----------|------------------------------------|---------|
| DRAWN | NAME | DATE | AGRIGEL | |
| APPROVED | Dan | 08/10/10 | | |
| MATERIAL | | | TITLE | |
| TREATMENT | | | FILE NAME: Dave Impeller Parts.dft | |
| UNLESS OTHERWISE SPECIFIED DIMENSIONS ARE IN MILLIMETERS | | | SIZE A4 | DWG NO |
| 1st ANGLE ANGLES ±0.1° | | | SCALE: | WEIGHT: |
| 2 PL ±0.02 3 PL ±0.005 | | | SHEET 16 OF 16 | |