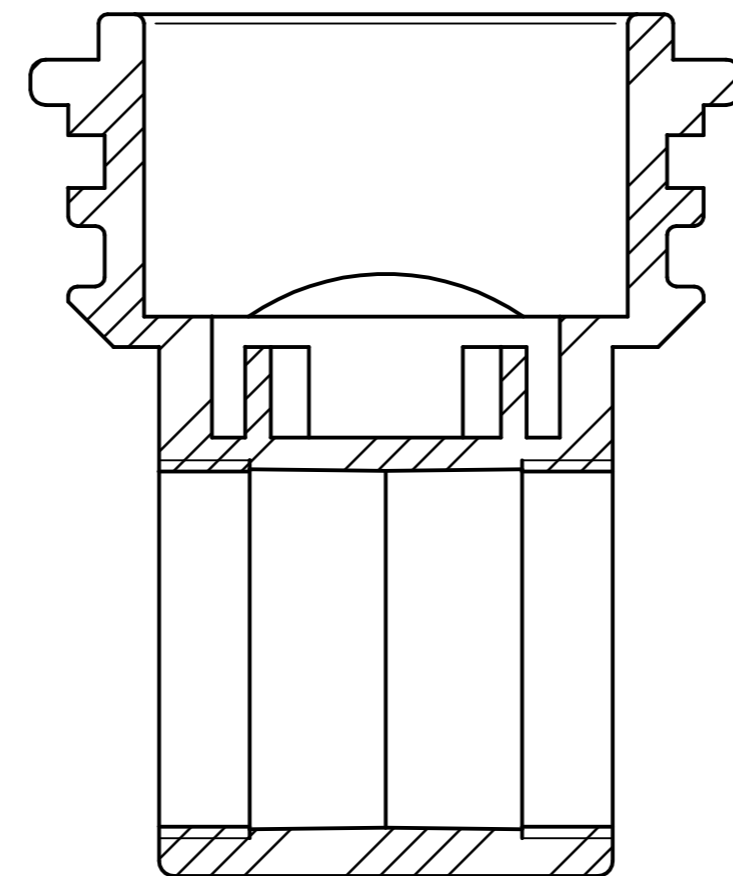
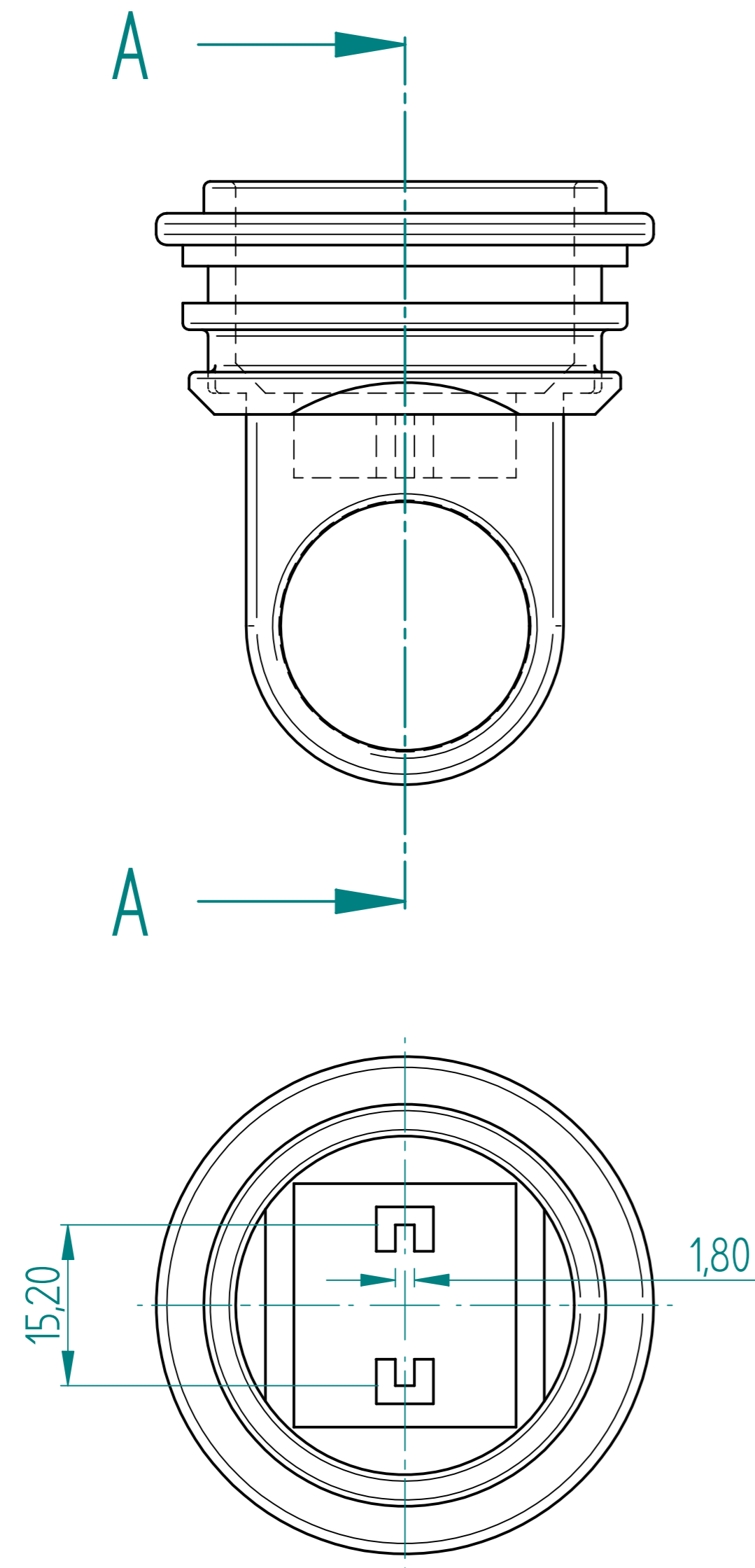
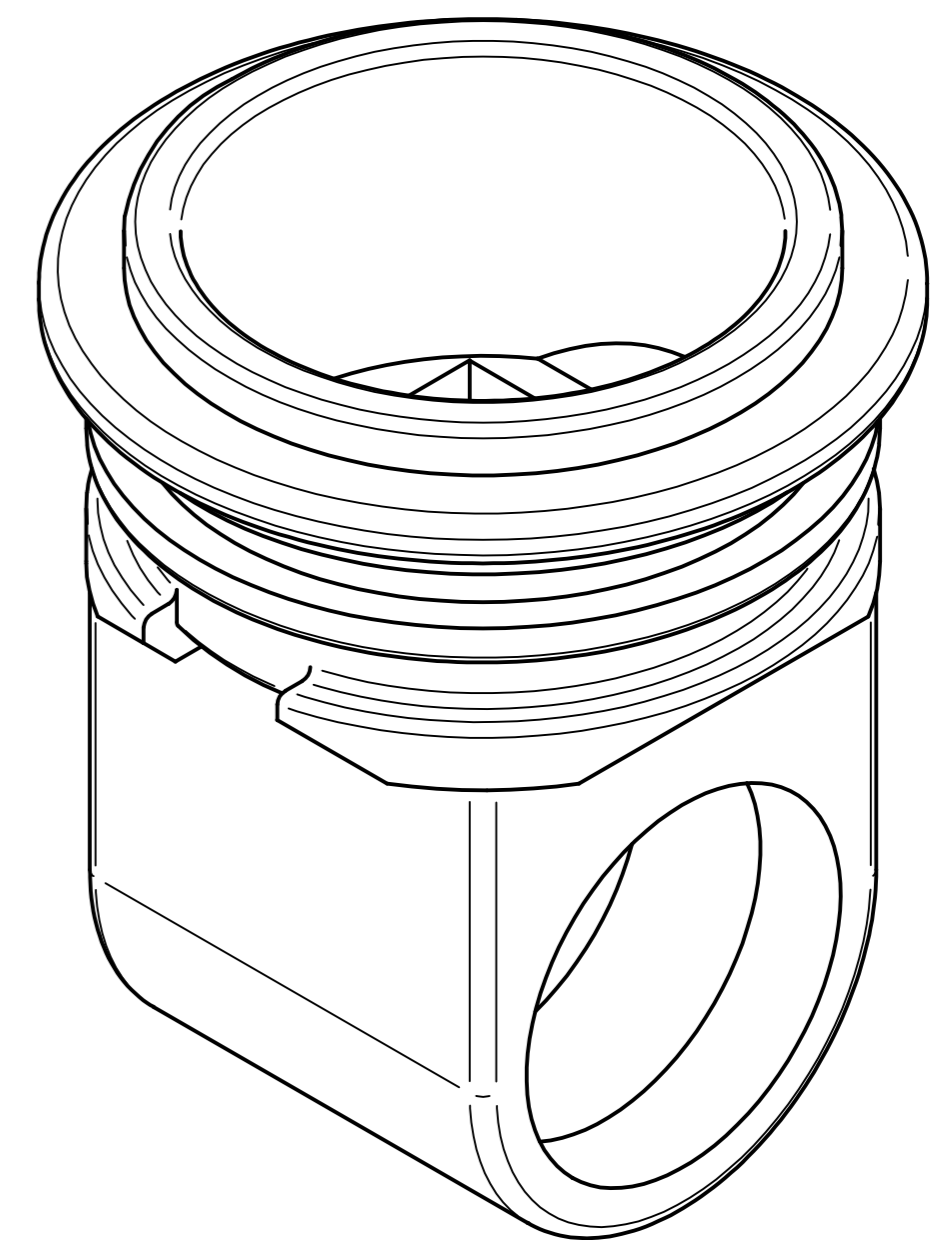


REVISION HISTORY			
REV	DESCRIPTION	DATE	APPROVED



SECTION A-A



	NAME	DATE	AGRIGEL	
DRAWN	Dan	01/01/01	TITLE	
APPROVED				
MATERIAL				
TREATMENT				
UNLESS OTHERWISE SPECIFIED DIMENSIONS ARE IN MILLIMETERS			SIZE A4	DWG NO
1 st ANGLE ANGLES ±0,1°			REV	
2 PL ±0,02 3 PL ±0,005			FILE NAME: Draft1	
			SCALE:	WEIGHT:
			SHEET 1 OF 1	