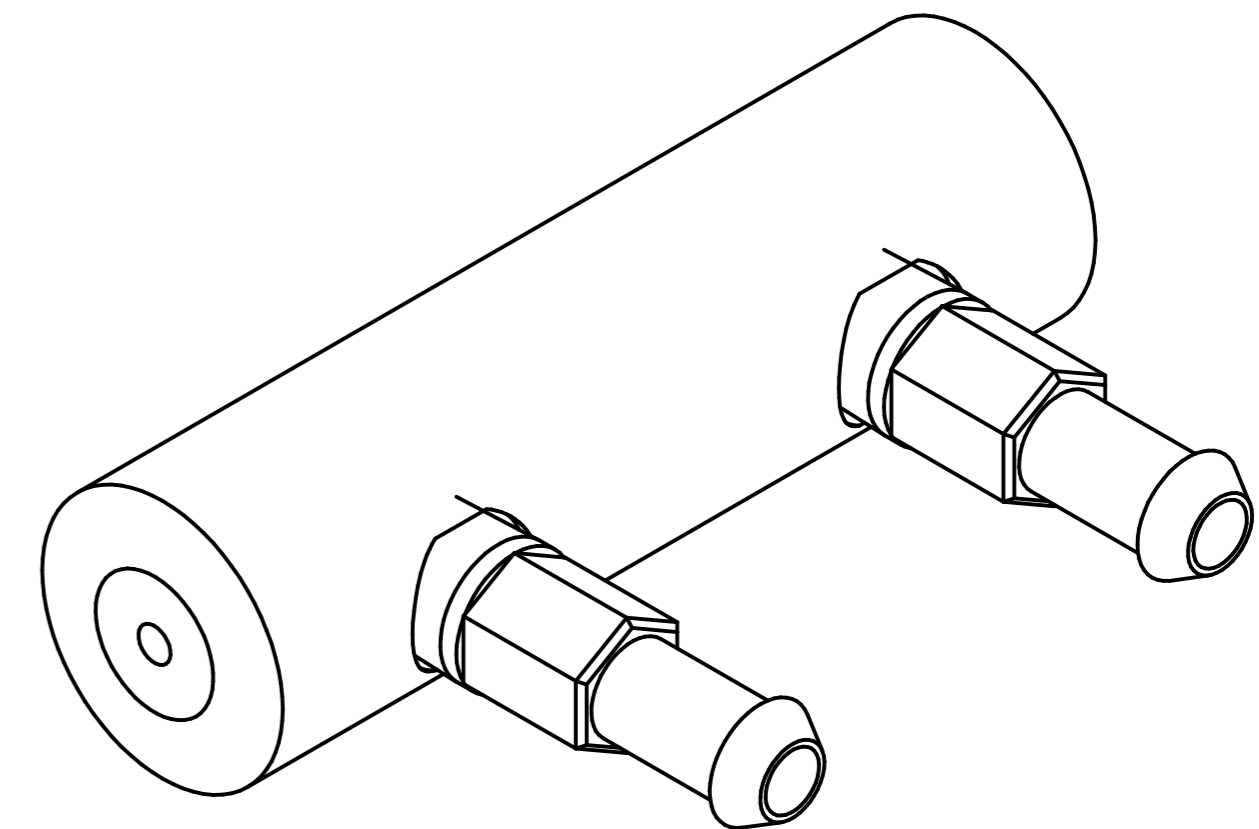
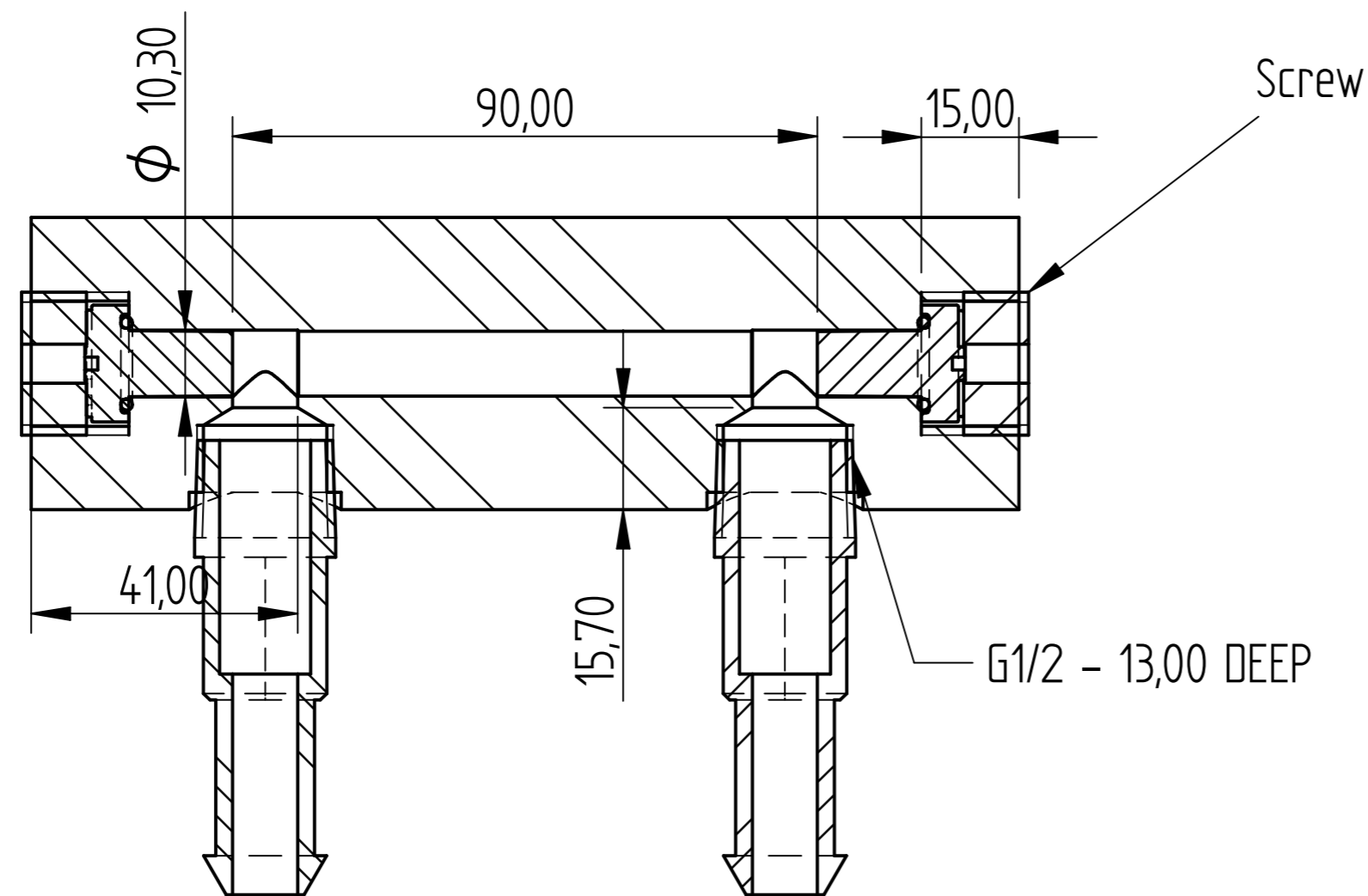
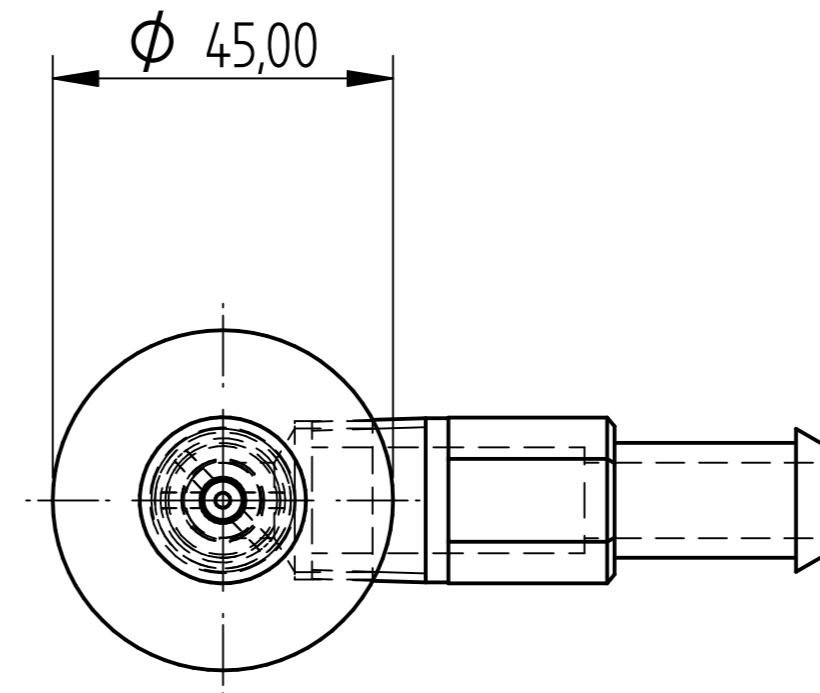
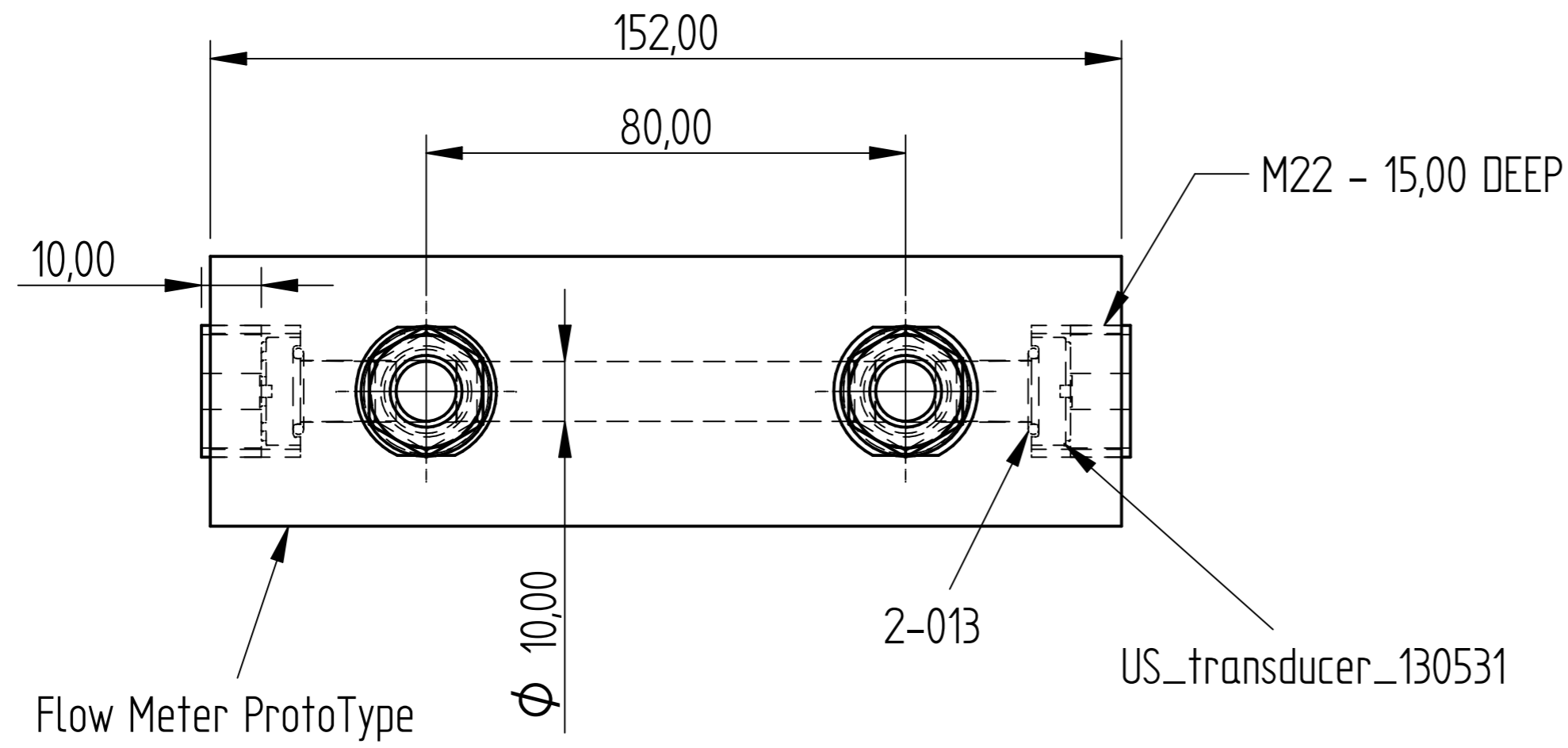


REVISION HISTORY			
REV	DESCRIPTION	DATE	APPROVED



Flow Meter ProtoType

	NAME	DATE	AGRIGEL		
DRAWN	DG	05/10/14			
APPROVED					
MATERIAL					
TREATMENT			TITLE		
			Flow Meter ProtoType		
UNLESS OTHERWISE SPECIFIED DIMENSIONS ARE IN MILLIMETERS			SIZE A4	DWG NO	REV
1 st ANGLE ANGLES $\pm 0,1^\circ$			FILE NAME: Flow Meter ProtoType.par.dft		
2 PL $\pm 0,02$ 3 PL $\pm 0,005$			SCALE:	WEIGHT:	SHEET 1 OF 1