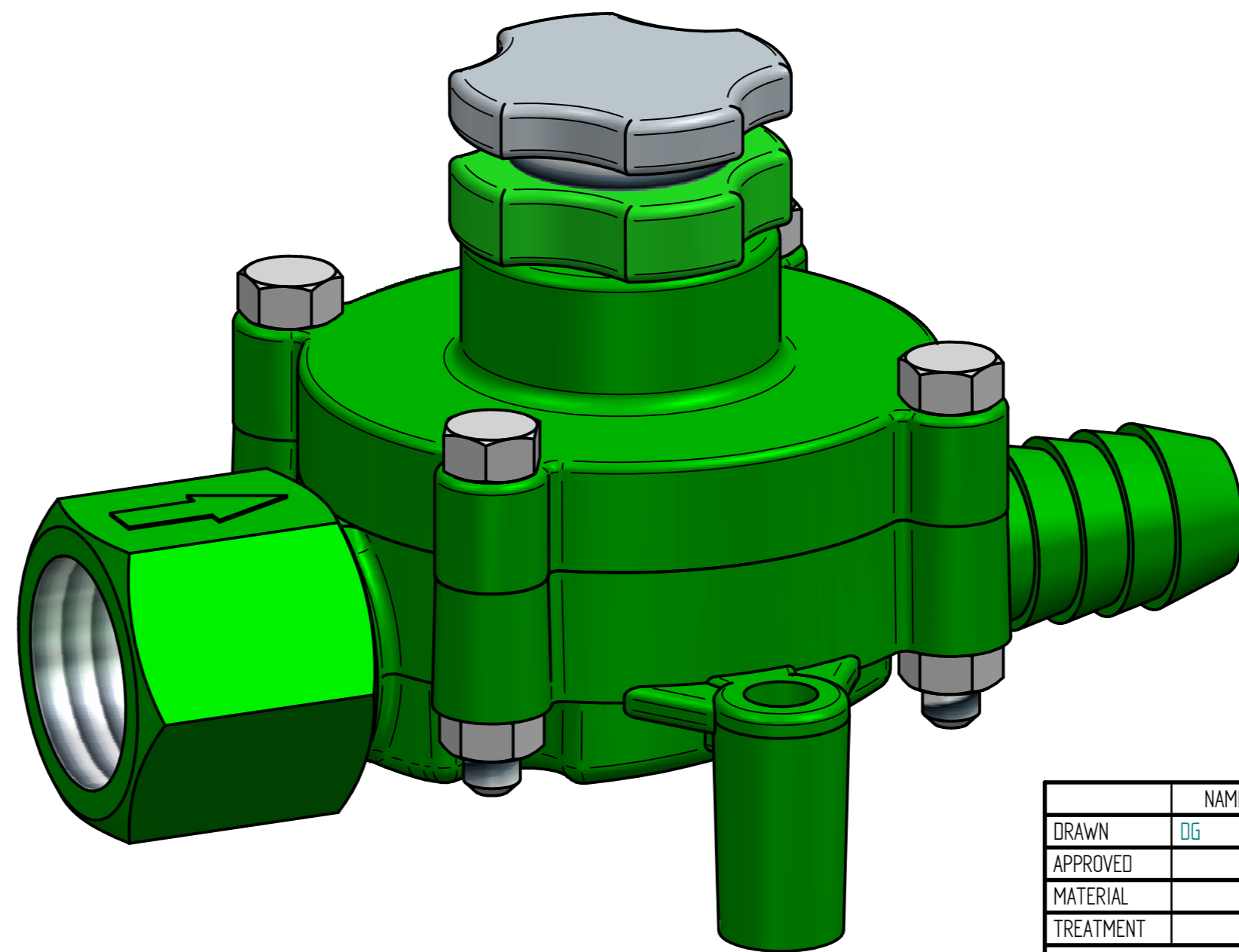
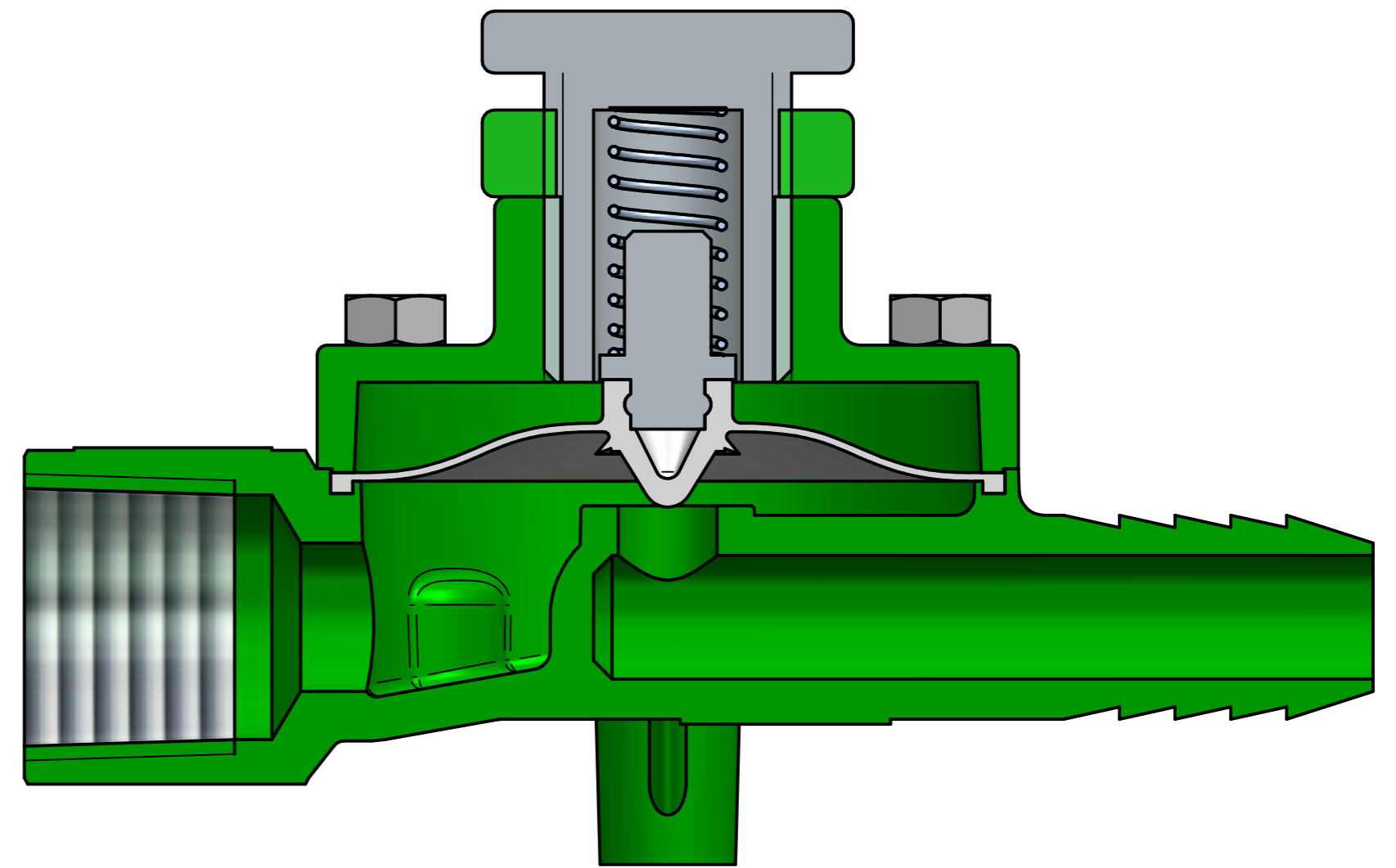
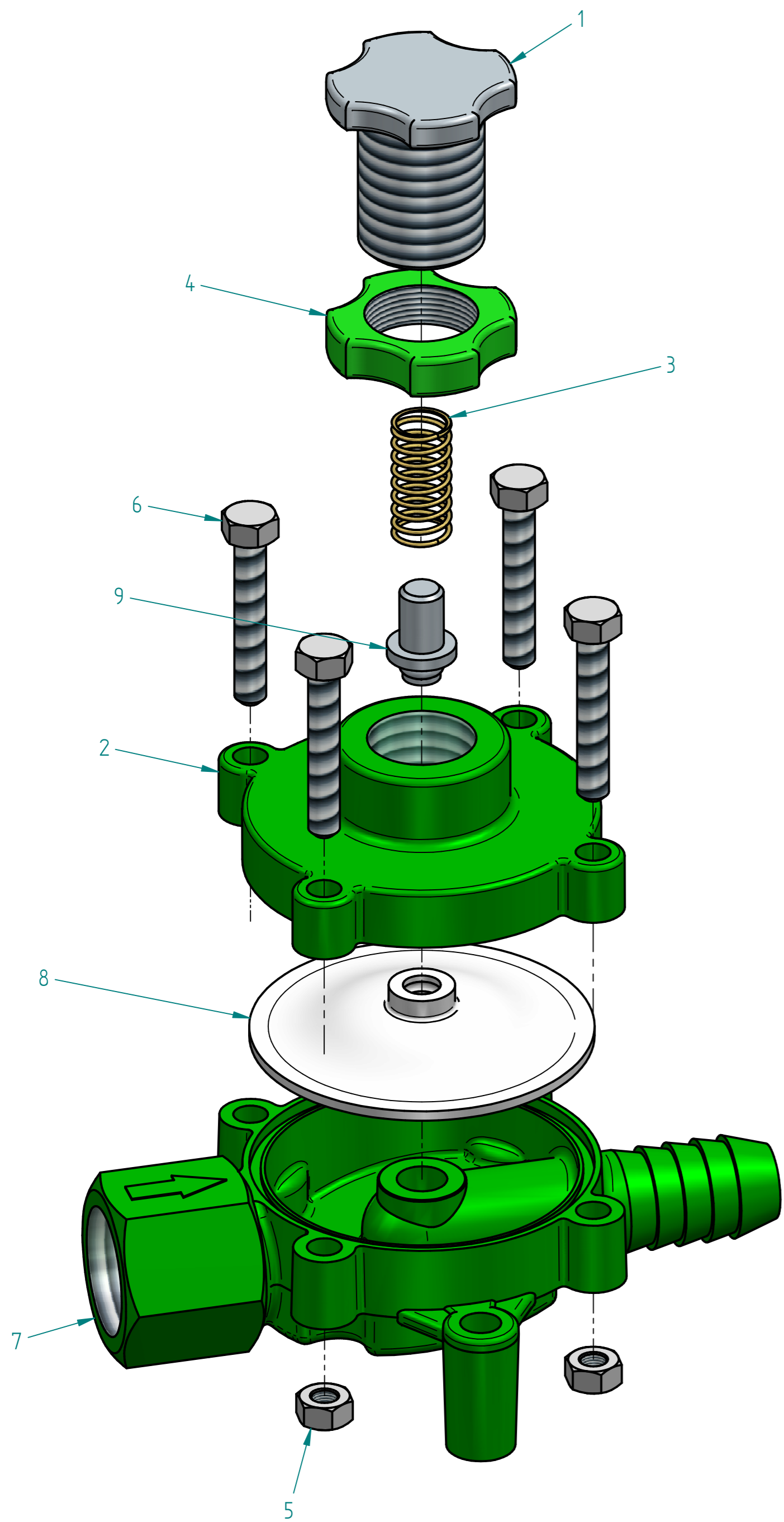


REVISION HISTORY			
REV	DESCRIPTION	DATE	APPROVED

Item Number	Title	Document Number	Quantity
1	Adj Screw		1
2	Adjuster Housing		1
3	Spring	LFC-106	1
4	Lock Nut	LFC-208	1
5	Nut	M5	4
6	Bolt	M5-30	4
7	Diaphragm Housing	SV1-001	1
8	Diaphragm	SV1-004	1
9	Diaphragm Pusher	SV1-005	1



DRAWN	OG	DATE	02/23/15	AGRIGEL
APPROVED				
MATERIAL				
TREATMENT				
UNLESS OTHERWISE SPECIFIED DIMENSIONS ARE IN MILLIMETERS				SIZE A4
1st ANGLE DIMENSIONS ARE IN MILLIMETERS ANGLES ±0.1°				DWG NO
2 PL ±0.02 3 PL ±0.005				FILE NAME: Relief Valve.dft
SCALE:		WEIGHT:		REV
				SHEET 1 OF 1