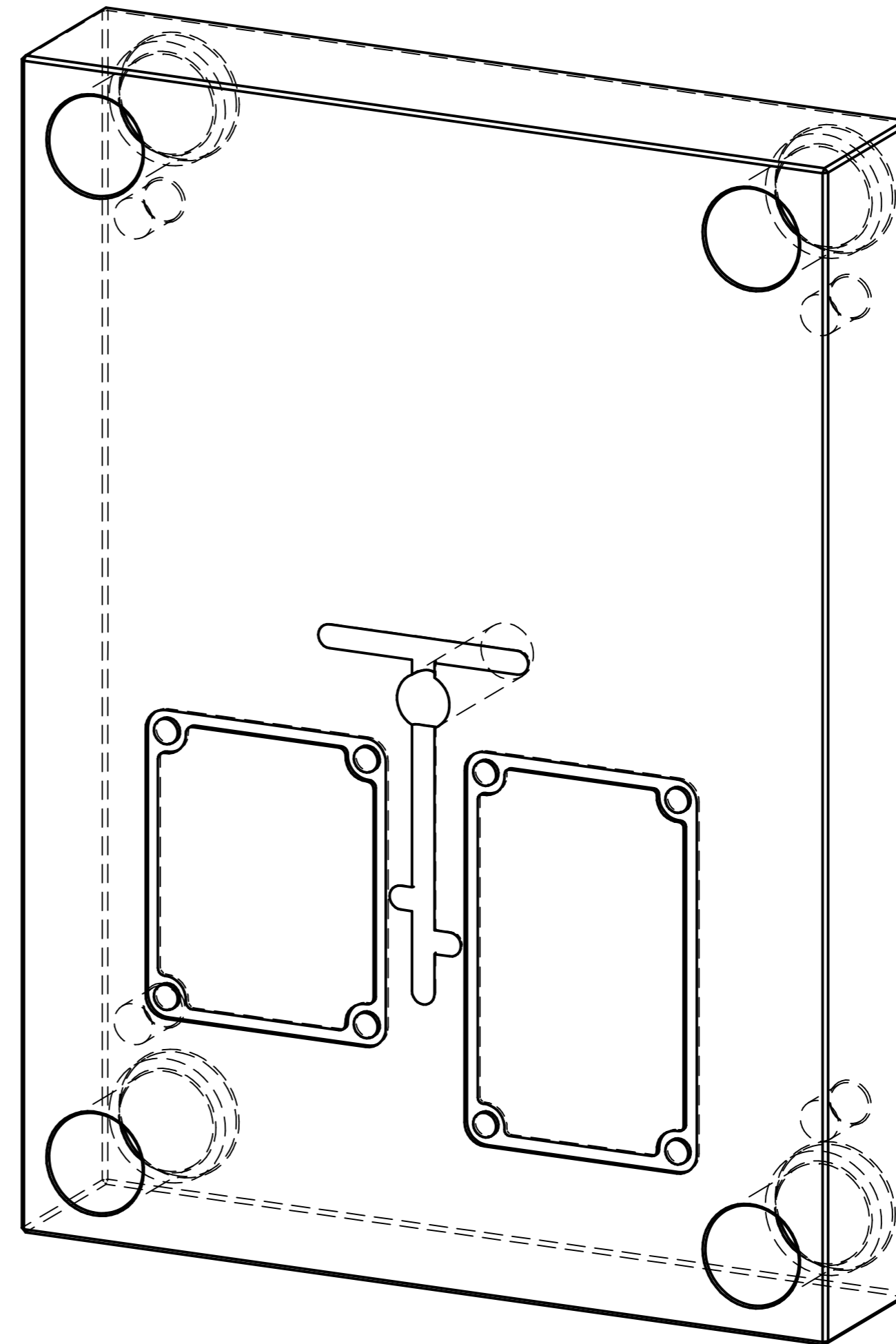
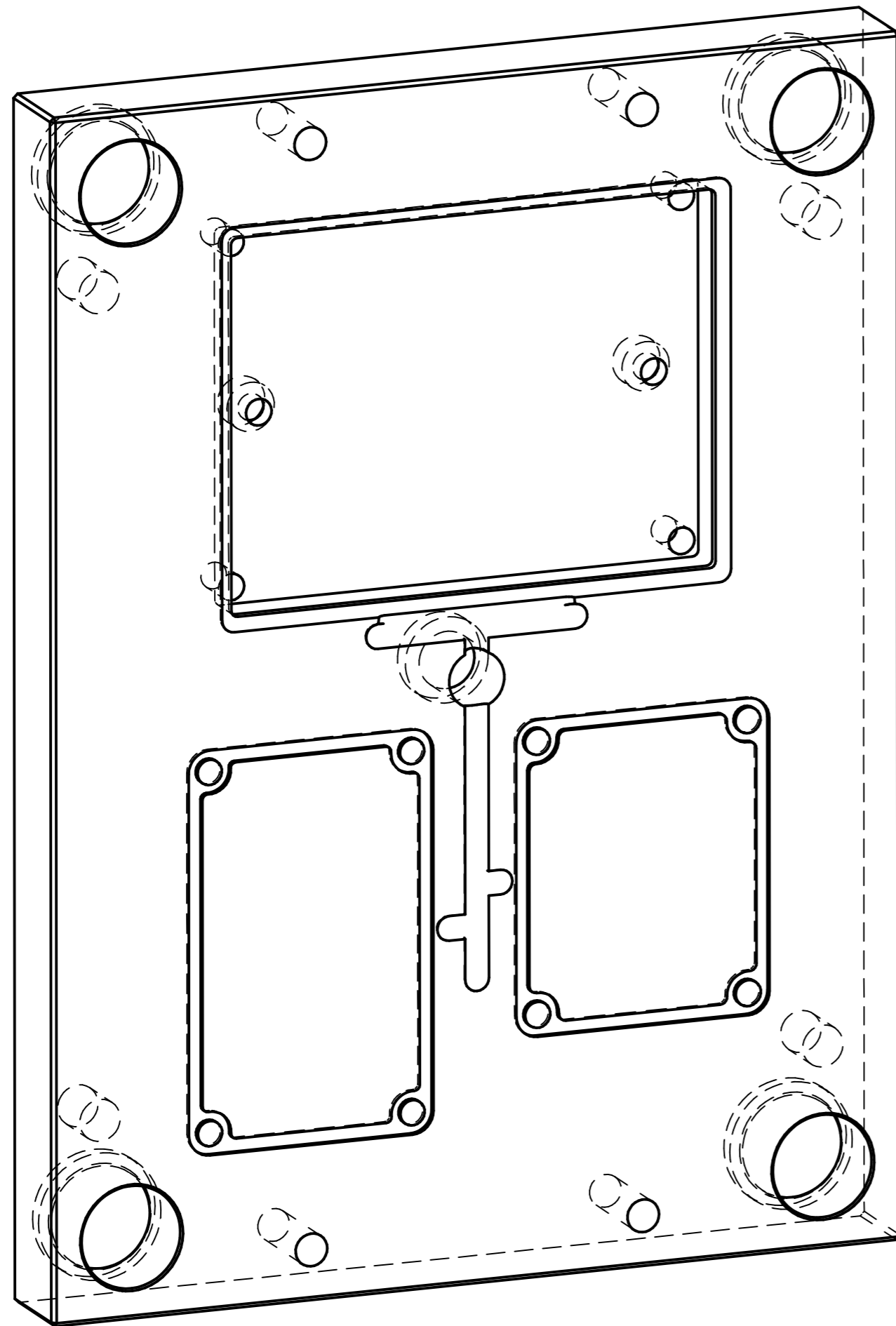



REVISION HISTORY			
REV	DESCRIPTION	DATE	APPROVED



	NAME	DATE	AGRIGEL	
DRAWN	DG	10/31/17		
APPROVED				
MATERIAL				
TREATMENT			TITLE	
			Lens Mould	
UNLESS OTHERWISE SPECIFIED DIMENSIONS ARE IN MILLIMETERS			SIZE A4	DWG NO
1 st ANGLE  2 PL ±0.02 3 PL ±0.005			FILE NAME: Lens Mould.dft	REV
			SCALE:	WEIGHT:
			SHEET 2 OF 6	