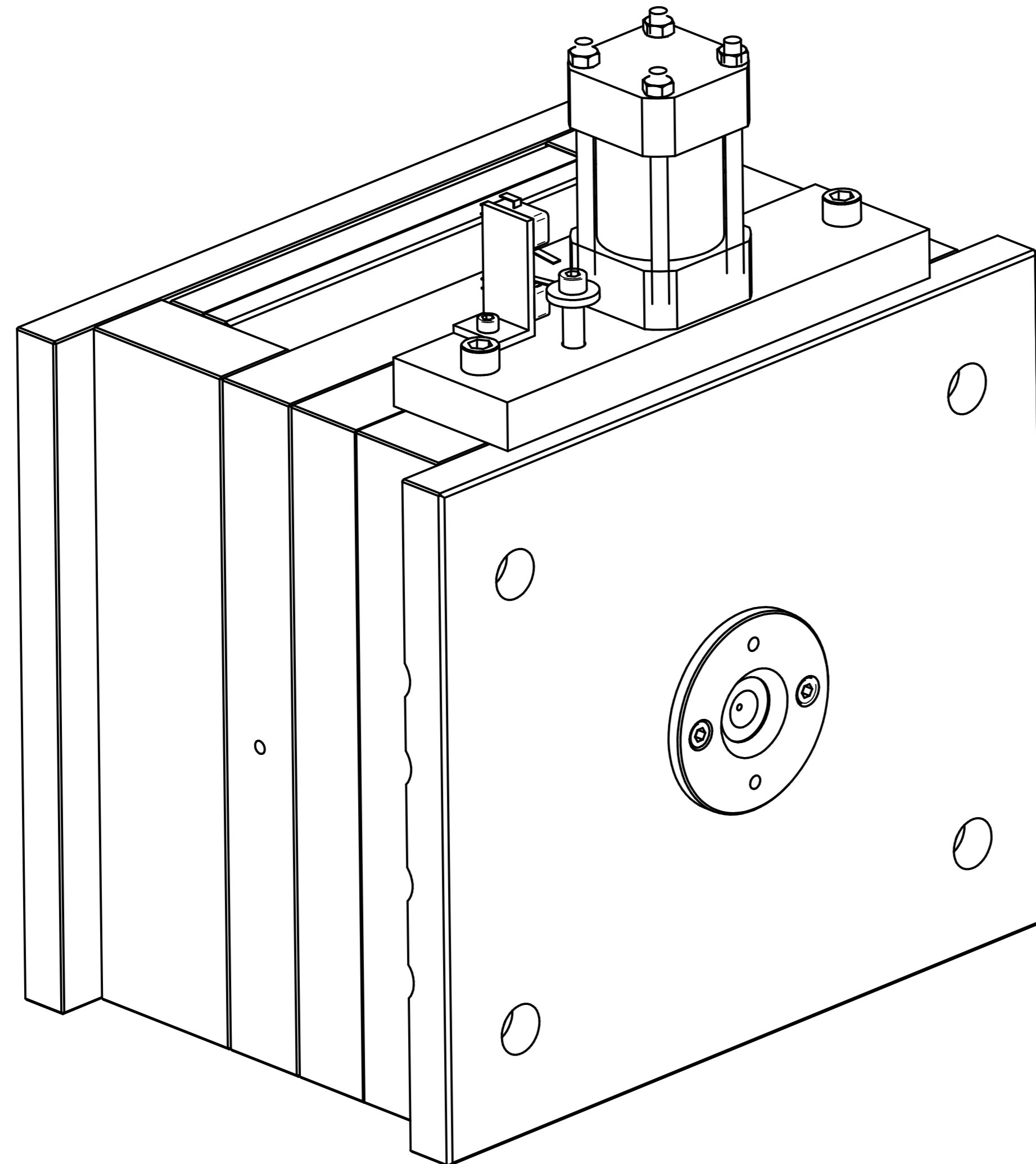
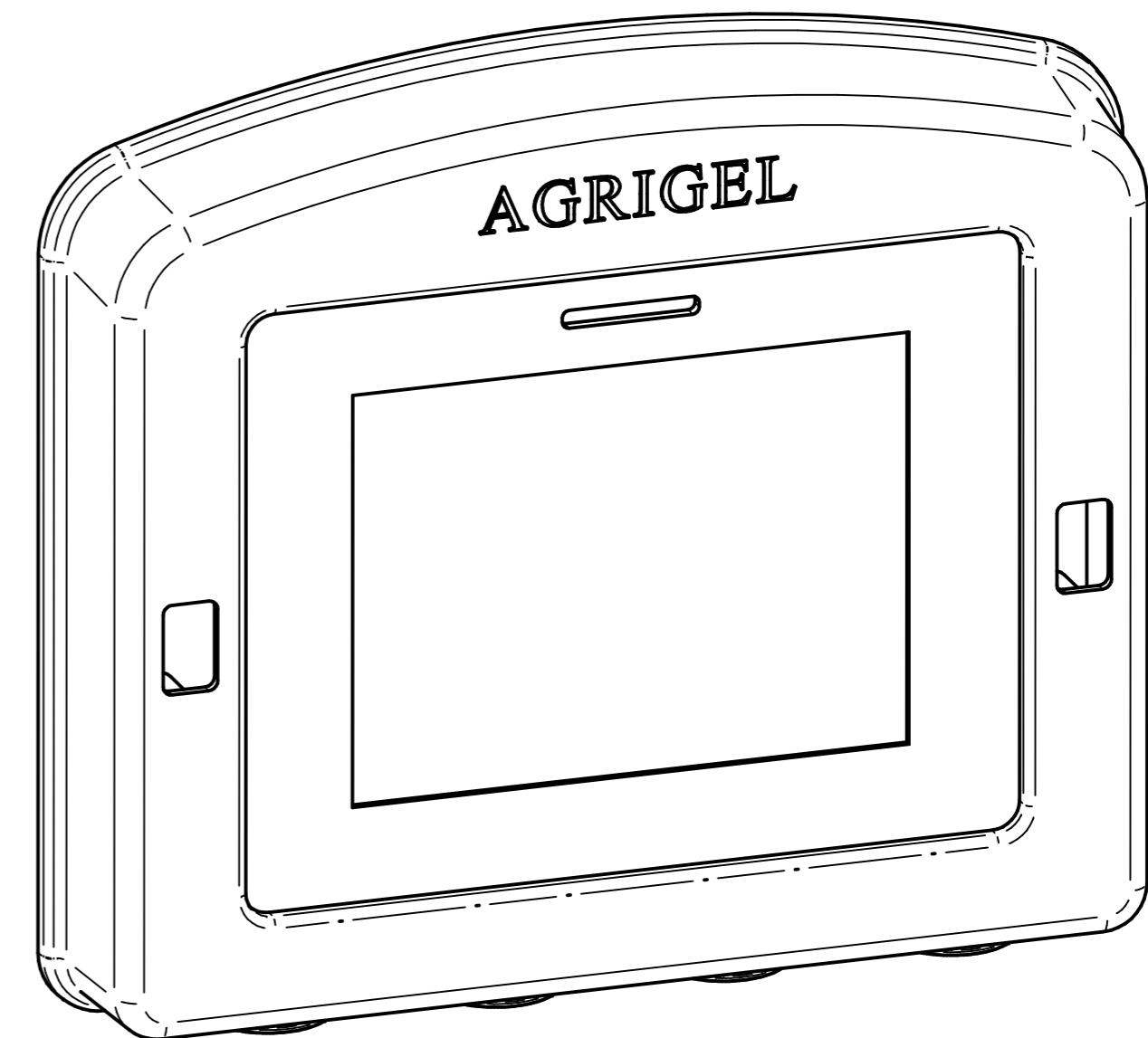


REVISION HISTORY			
REV	DESCRIPTION	DATE	APPROVED



CORE IN AFTER CLOSE
 CORE OUT BEFORE OPEN
 TIME. LIMITS ON FIXED HALF



Cover
 Polypropylene, 30 % Glass Filled 0.311 kg
 M3 SONIC THROUGH INSERTS 8 OF

Cover Mould
 350 x 350 45&56 Die Plates
 237.954 kg

	NAME	DATE	AGRIGEL	
DRAWN	DG	05/01/14		
APPROVED			TITLE Cover Mould	
MATERIAL				
TREATMENT			SIZE A4	DWG NO
UNLESS OTHERWISE SPECIFIED DIMENSIONS ARE IN MILLIMETERS			FILE NAME: Cover Mould.dft	REV
1st ANGLE ANGLES ±0.1°			SCALE:	WEIGHT:
2 PL ±0.02 3 PL ±0.005			SHEET 1 OF 19	